



TE-RW 18/60 Li

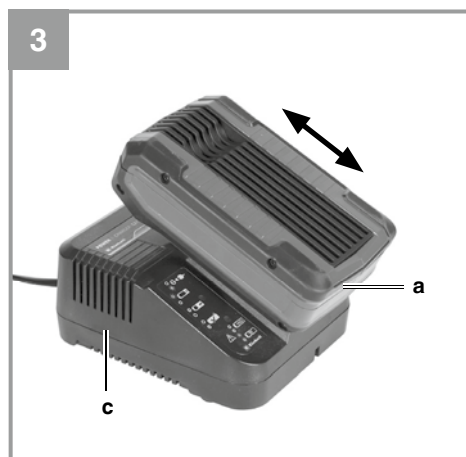
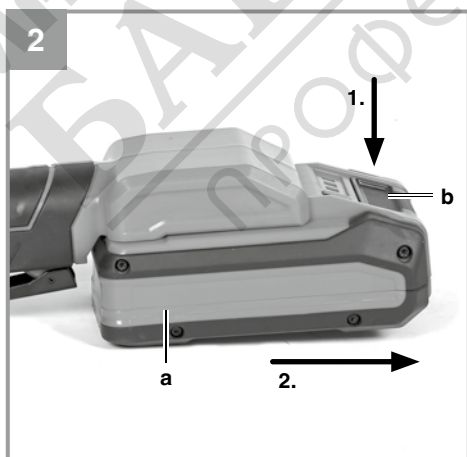
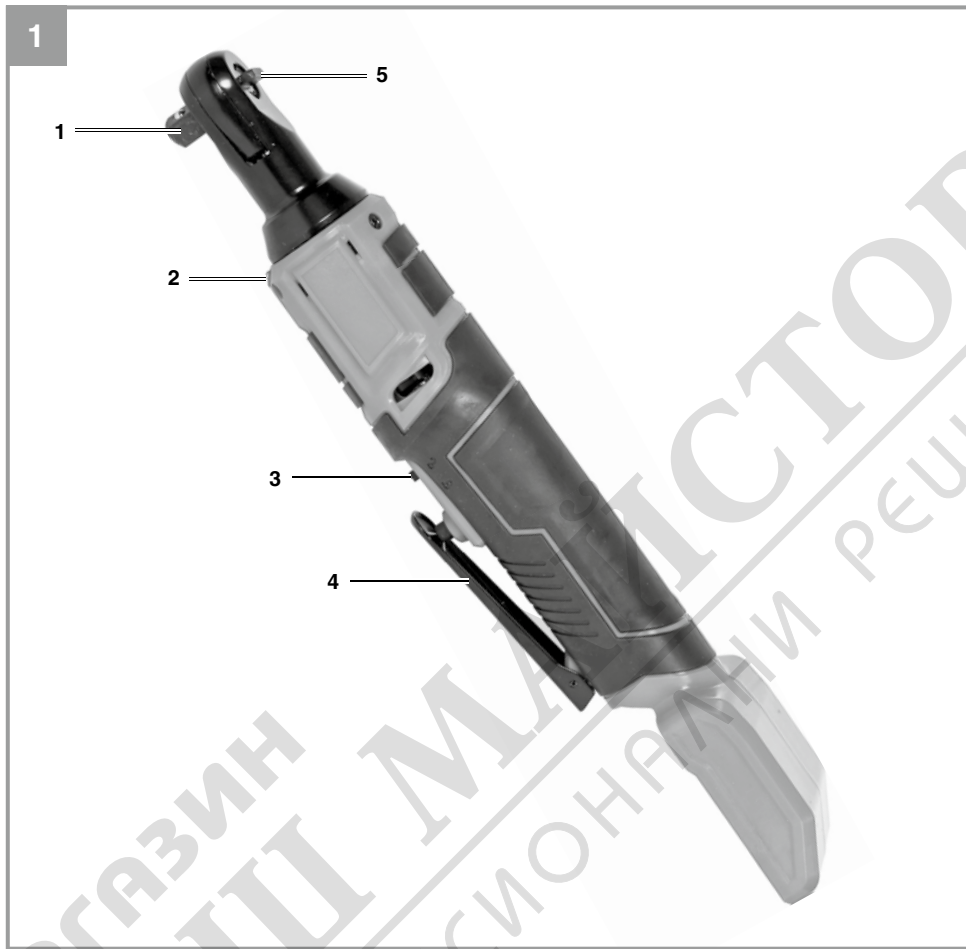
D	Originalbetriebsanleitung Akku-Ratschenschrauber	FIN	Alkuperäiskäyttöohje Akku-räikkäruuvain
GB	Original operating instructions Cordless Ratchet Screwdriver	SLO	Originalna navodila za uporabo Akumulatorski ragljasti vijaknik
F	Instructions d'origine Tournevis à cliquet sans fil	H	Eredeti használati utasítás Akkus-racsnis csavarhúzó
I	Istruzioni per l'uso originali Avvitatore a cricchetto a batteria	RO	Instrucțiuni de utilizare originale Cheie pneumatică cu clichet cu acumulator
DK/ N	Original betjeningsvejledning Akku-skraldenøgle	GR	Πρωτότυπες Οδηγίες χρήσης Κατσαβίδι καστανίας, με μπαταρία
S	Original-bruksanvisning Batteridrivet spärrhandtag	P	Manual de instrucções original Aparafusadora de roquete sem fio
CZ	Originální návod k obsluze Akumulátorová ráčna	HR/ BIH	Originalne upute za uporabu Baterijski nasadni odvijač
SK	Originálny návod na obsluhu Akumulátorový račňový skrutkovač	RS	Originalna uputstva za upotrebu Akumulatorske čegrtaljke-odvijač
NL	Originele handleiding Accu-ratelschroevendraaier	PL	Instrukcja oryginalną Akumulatorowa wkrętarka z grzechotką
E	Manual de instrucciones original Atornilladora de carraca inalám- brica	TR	Orijinal Kullanma Talimatı Akülü cırcır kolu

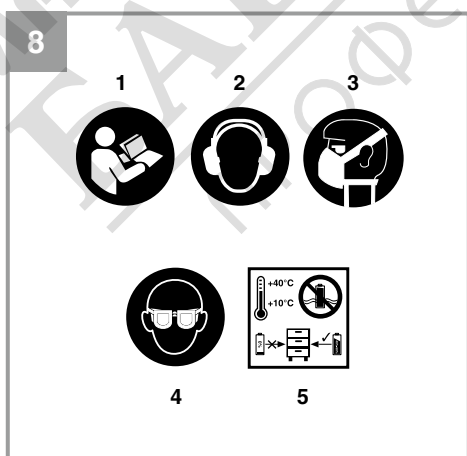
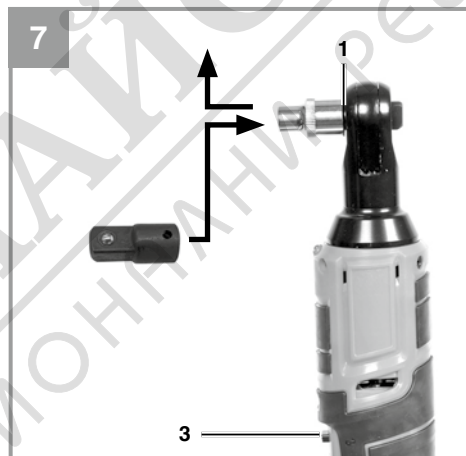
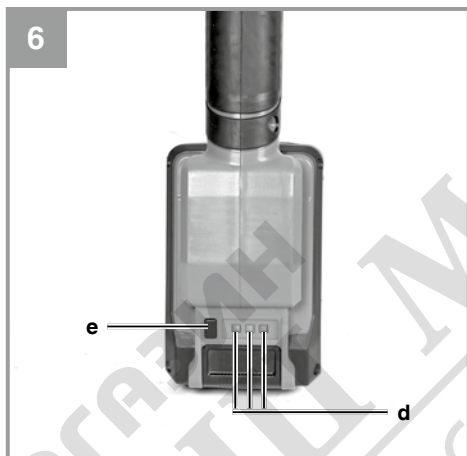
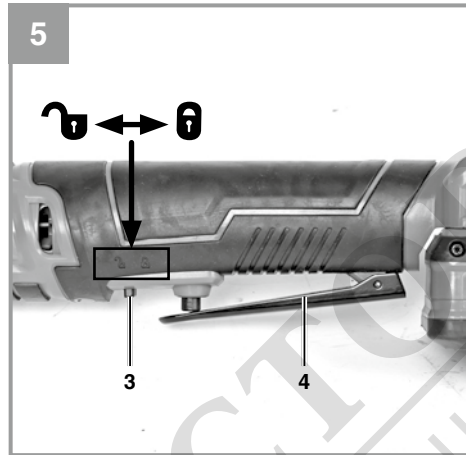
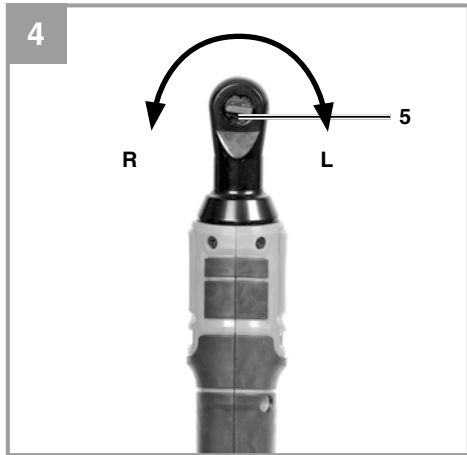
13



Art.-Nr.: 45.143.20

I.-Nr.: 21024





Gefahr!

Beim Benutzen von Geräten müssen einige Sicherheitsvorkehrungen eingehalten werden, um Verletzungen und Schäden zu verhindern. Lesen Sie diese Bedienungsanleitung / Sicherheitshinweise deshalb sorgfältig durch. Bewahren Sie diese gut auf, damit Ihnen die Informationen jederzeit zur Verfügung stehen. Falls Sie das Gerät an andere Personen übergeben sollten, händigen Sie diese Bedienungsanleitung / Sicherheitshinweise bitte mit aus. Wir übernehmen keine Haftung für Unfälle oder Schäden, die durch Nichtbeachten dieser Anleitung und den Sicherheitshinweisen entstehen.

Erklärung der verwendeten Symbole (siehe Bild 8)

1. **Gefahr!** - Zur Verringerung des Verletzungsrisikos Bedienungsanleitung lesen.
2. **Vorsicht! Tragen Sie einen Gehörschutz.** Die Einwirkung von Lärm kann Hörverlust bewirken.
3. **Vorsicht! Tragen Sie eine Staubschutzmaske.** Beim Bearbeiten von Holz und anderer Materialien kann gesundheitsschädlicher Staub entstehen. Asbesthaltiges Material darf nicht bearbeitet werden!
4. **Vorsicht! Tragen Sie eine Schutzbrille.** Während der Arbeit entstehende Funken oder aus dem Gerät heraustretende Splitter, Späne und Stäube können Sichtverlust bewirken.
5. Lagerung der Akkus nur in trockenen Räumen mit einer Umgebungstemperatur von +10°C - +40°C. Akkus nur in geladenem Zustand lagern (mind. 40% geladen).

1. Sicherheitshinweise

Die entsprechenden Sicherheitshinweise finden Sie im beiliegenden Heftchen!

Warnung!

Lesen Sie alle Sicherheitshinweise, Anweisungen, Bebilderungen und technischen Daten, mit denen dieses Elektrowerkzeug versehen ist. Versäumnisse bei der Einhaltung der nachfolgenden Anweisungen können elektrischen Schlag, Brand und/oder schwere Verletzungen verursachen.

Bewahren Sie alle Sicherheitshinweise und Anweisungen für die Zukunft auf.

2. Gerätebeschreibung und Lieferumfang**2.1 Gerätebeschreibung (Bild 1)**

1. 3/8" Außen-Vierkantaufnahme
2. LED-Licht
3. Verriegelung für Ein-/Ausschalter
4. Ein-/ Ausschalter
5. Drehrichtungsschalter

2.2 Lieferumfang

Bitte überprüfen Sie die Vollständigkeit des Artikels anhand des beschriebenen Lieferumfangs. Bei Fehlteilen wenden Sie sich bitte spätestens innerhalb von 5 Arbeitstagen nach Kauf des Artikels unter Vorlage eines gültigen Kaufbeleges an unser Service Center oder an die Verkaufsstelle, bei der Sie das Gerät erworben haben. Bitte beachten Sie hierzu die Gewährleistungstabelle in den Service-Informationen am Ende der Anleitung.

- Öffnen Sie die Verpackung und nehmen Sie das Gerät vorsichtig aus der Verpackung.
- Entfernen Sie das Verpackungsmaterial sowie Verpackungs- und Transportsicherungen (falls vorhanden).
- Überprüfen Sie, ob der Lieferumfang vollständig ist.
- Kontrollieren Sie das Gerät und die Zubehörteile auf Transportschäden.
- Bewahren Sie die Verpackung nach Möglichkeit bis zum Ablauf der Garantiezeit auf.

Gefahr!

Gerät und Verpackungsmaterial sind kein Kinderspielzeug! Kinder dürfen nicht mit Kunststoffbeuteln, Folien und Kleinteilen spielen! Es besteht Verschluckungs- und Erstickungsgefahr!

- Akku-Ratschenschrauber
- Adapter 1/2"
- Originalbetriebsanleitung
- Sicherheitshinweise

3. Bestimmungsgemäße Verwendung

Das Gerät ist geeignet zum Lösen und Befestigen von Schrauben und Muttern.

Die Maschine darf nur nach ihrer Bestimmung verwendet werden. Jede weitere darüber hinaus-

Danger!

When using the equipment, a few safety precautions must be observed to avoid injuries and damage. Please read the complete operating instructions and safety regulations with due care. Keep this manual in a safe place, so that the information is available at all times. If you give the equipment to any other person, hand over these operating instructions and safety regulations as well. We cannot accept any liability for damage or accidents which arise due to a failure to follow these instructions and the safety instructions.

Explanation of the symbols used (see Fig. 8)

1. **Danger!** - Read the operating instructions to reduce the risk of injury.
2. **Caution! Wear ear-muffs.** The impact of noise can cause damage to hearing.
3. **Caution! Wear a breathing mask.** Dust which is injurious to health can be generated when working on wood and other materials. Never use the device to work on any materials containing asbestos!
4. **Caution! Wear safety goggles.** Sparks generated during working or splinters, chips and dust emitted by the device can cause loss of sight.
5. Store the batteries only in dry rooms with an ambient temperature of +10°C to +40°C. Place only fully charged batteries in storage (charged at least 40%).

1. Safety regulations

The corresponding safety information can be found in the enclosed booklet.

Warning!

Read all the safety information, instructions, illustrations and technical data provided on or with this power tool. Failure to adhere to the following instructions may result in electric shock, fire and/or serious injury.

Keep all the safety information and instructions in a safe place for future use.

2. Layout and items supplied**2.1 Layout (Fig. 1)**

1. 3/8" external square drive mount
2. LED lamp
3. Lock for On/Off switch
4. On/Off switch
5. Direction of rotation switch

2.2 Items supplied

Please check that the article is complete as specified in the scope of delivery. If parts are missing, please contact our service center or the sales outlet where you made your purchase at the latest within 5 working days after purchasing the product and upon presentation of a valid bill of purchase. Also, refer to the warranty table in the service information at the end of the operating instructions.

- Open the packaging and take out the equipment with care.
- Remove the packaging material and any packaging and/or transportation braces (if available).
- Check to see if all items are supplied.
- Inspect the equipment and accessories for transport damage.
- If possible, please keep the packaging until the end of the guarantee period.

Danger!

The equipment and packaging material are not toys. Do not let children play with plastic bags, foils or small parts. There is a danger of swallowing or suffocating!

- Cordless Ratchet Screwdriver
- 1/2" adapter
- Original operating instructions
- Safety instructions

3. Proper use

This equipment is suitable for loosening and tightening screws and nuts.

The equipment is to be used only for its prescribed purpose. Any other use is deemed to be a case of misuse. The user / operator and not the manufacturer will be liable for any damage or injuries of any kind caused as a result of this.

Please note that our equipment has not been designed for use in commercial, trade or industrial applications. Our warranty will be voided if the machine is used in commercial, trade or industrial businesses or for equivalent purposes.

4. Technical data

Motor power supply: 18 V DC
 Idling speed: 0-260 min⁻¹
 Clockwise/counter-clockwise: Yes
 Tool chuck: 3/8" (9.5 mm)
 Weight: 0.8 kg

Danger!

Sound and vibration

Sound and vibration values were measured in accordance with EN 62841.

L_{pA} sound pressure level 86.3 dB(A)
 K_{pA} uncertainty 3 dB
 L_{WA} sound power level 94.3 dB(A)
 K_{WA} uncertainty 3 dB

Wear ear-muffs.

The impact of noise can cause damage to hearing.

Total vibration values (vector sum of three directions) determined in accordance with EN 62841.

Tightening screws and nuts of maximum permitted size

Vibration emission value $a_h = 4.618 \text{ m/s}^2$
 K uncertainty = 1.5 m/s^2

The stated vibration emission levels and stated noise emission values were measured in accordance with a set of standardized criteria and can be used to compare one power tool with another.

The stated vibration emission levels and stated noise emission values can also be used to make an initial assessment of exposure.

Warning:

The vibration and noise emission levels may vary from the level specified during actual use, depending on the way in which the power tool is used, especially the type of workpiece it is used for.

Keep the noise emissions and vibrations to a minimum.

- Only use appliances which are in perfect working order.
- Service and clean the appliance regularly.
- Adapt your working style to suit the appliance.
- Do not overload the appliance.

- Have the appliance serviced whenever necessary.
- Switch the appliance off when it is not in use.
- Wear protective gloves.

Caution!

Residual risks

Even if you use this electric power tool in accordance with instructions, certain residual risks cannot be ruled out. The following hazards may arise in connection with the equipment's construction and layout:

1. Lung damage if no suitable protective dust mask is used.
2. Damage to hearing if no suitable ear protection is used.
3. Health damage caused by hand-arm vibrations if the equipment is used over a prolonged period or is not properly guided and maintained.

Limit the operating time.

All stages of the operating cycle must be considered (for example, times in which the electric tools are switched off and times in which the tool is switched on but operates without load).

5. Before starting the equipment

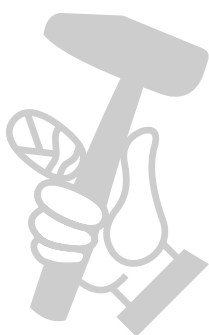
Be sure to read the following information before you put the cordless screwdriver into operation:

1. Use only drive socket inserts which are suitable for the purpose and in faultless condition.
2. Before you begin to screw in walls and masonry, check for concealed electric wiring, gas pipes and water pipes.

6. Operation

6.1 Charging the Li battery pack (Fig. 2-3)

1. Remove the battery pack (a) from the handle, pressing the pushlock button (b) downwards to do so.
2. Check that your mains voltage is the same as that marked on the rating plate of the battery charger. Insert the power plug of the charger (c) into the mains socket outlet. The green LED will then begin to flash.
3. Push the battery pack onto the battery charger.



In section 10 (Charger indicator) you will find a table with an explanation of the LED indicator on the charger.

If the battery pack fails to charge, check for the following:

- voltage at the power socket
- whether there is good contact at the charging contacts of the charging unit.

If the battery pack still fails to charge, send

- the charger and charging adapter
- and the battery pack

to our customer service center.

To ensure that items are properly packaged and delivered when you send them to us, please contact our customer service or the point of sale at which the equipment was purchased.

When shipping or disposing of batteries and cordless tools, always ensure that they are packed individually in plastic bags to prevent short circuits and fires.

To ensure that the battery pack provides long service, you should take care to recharge it promptly. You must recharge the battery pack when you notice that the performance of the device drops. Never allow the battery pack to become fully discharged. This will cause it to develop a defect.

6.2 Direction of rotation switch (Fig. 4/Item 5)

You can use the direction of rotation switch (5) to set the tool's direction of rotation.

You can choose between counter-clockwise and clockwise (L+R). To avoid causing damage to the gearing, the direction of rotation is allowed to be changed only when the tool is at a standstill.

6.3 On/Off switch (Fig. 5/Item 4)

Switching on:

Press the On/Off switch (4).

Switching off:

Release the On/Off switch (4).

The lock for the On/Off switch (3) can be used to secure the tool against being switched on accidentally.

6.4 Battery capacity indicator (Fig. 6 – Item d)

Press the battery capacity indicator switch (e).

The battery capacity indicator (d) shows the charge status of the battery using 3 LEDs.

All 3 LEDs are lit:

The battery is fully charged.

2 or 1 LED(s) are lit:

The battery has an adequate remaining charge.

1 LED flashes:

The battery is empty, recharge the battery.

All LEDs blink:

The battery temperature is too low. Remove the battery from the equipment, keep it at room temperature for one day. If the fault reoccurs, this means that the rechargeable battery has undergone exhaustive discharge and is defective. Remove the battery from the equipment. Never use or charge a defective battery.

6.5 LED lamp (Fig. 1/Item 2)

The LED lamp (2) can be used in poor lighting conditions to illuminate the area where you want to screw. The LED light (2) will come on automatically as soon as you press the On/Off switch (4).

6.6 Changing the plug-in tool (Fig. 7)

Important! Whenever you carry out any work on the tool (e.g. changing the plug-in tool, maintenance work, etc.), set the direction of rotation switch (3) to lock position. (See 6.3)

Fitting / removing the plug-in tool

Fit the required drive socket insert by pushing onto the square drive mount (1).

Remove the drive socket insert by pulling it off the square drive mount (1).

6.7 Working with the cordless ratchet screwdriver

Loosening:

- Set the direction of rotation switch (5) to counter-clockwise (L). (See 6.2)
- Fit a drive socket insert on the tool. (See 6.6)
- Place the tool on the screw/nut and press the On/Off switch (4) to loosen the screw/nut.
- If the screws/nuts are very tight or if they are rusted, use a wheel spider or torque wrench to slightly loosen them.

Tightening:

- **Warning!** This tool should be used only for loosening screws/nuts. If you want to use the tool to tighten screws/nuts, you must also use a torque limiter which is designed for this purpose. If not, the screw connection might become damaged. The torque limiter is available from your dealer. It is not included in the scope of this delivery.
- Prior to tightening, carefully insert the screw/nut into the threads.
- It is important that screws/nuts with special torque specifications (for example provided by the vehicle manufacturer in the automotive sector) are tightened only with a suitable torque limiter.

Hazard!

Screws/nuts must be finish-tightened with a torque wrench which is set to the torque specified by the manufacturer and then they must be checked!

7. Cleaning, maintenance and ordering of spare parts**Danger!**

Always remove the battery pack before making adjustments to the equipment.

7.1 Cleaning

- Keep all safety devices, air vents and the motor housing free of dirt and dust as far as possible. Wipe the equipment with a clean cloth or blow it with compressed air at low pressure.
- We recommend that you clean the device immediately each time you have finished using it.
- Clean the equipment regularly with a moist cloth and some soft soap. Do not use cleaning agents or solvents; these could attack the plastic parts of the equipment. Ensure that no water can seep into the device. The ingress of water into an electric tool increases the risk of an electric shock.

7.2 Maintenance

There are no parts inside the equipment which require additional maintenance.

7.3 Ordering replacement parts:

Please quote the following data when ordering replacement parts:

- Type of machine
- Article number of the machine
- Identification number of the machine
- Replacement part number of the part required

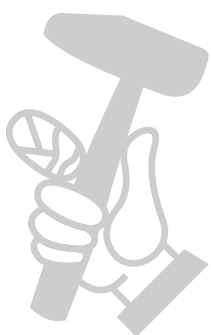
For our latest prices and information please go to www.Einhell-Service.com

8. Disposal and recycling

The equipment is supplied in packaging to prevent it from being damaged in transit. The raw materials in this packaging can be reused or recycled. The equipment and its accessories are made of various types of material, such as metal and plastic. Never place defective equipment in your household refuse. The equipment should be taken to a suitable collection center for proper disposal. If you do not know the whereabouts of such a collection point, you should ask in your local council offices.

9. Storage

Store the equipment and accessories in a dark and dry place at above freezing temperature. The ideal storage temperature is between 5 and 30 °C. Store the electric tool in its original packaging.



10. Charger indicator

Indicator status		Explanations and actions
Red LED	Green LED	
Off	Flashing	<p>Ready for use The charger is connected to the mains and is ready for use; there is no battery pack in the charger</p>
On	Off	<p>Charging The charger is charging the battery pack in quick charge mode. The charging times are shown directly on the charger. Important! The actual charging times may vary slightly from the stated charging times depending on the existing battery charge.</p>
Off	On	<p>The battery is charged and ready for use. (READY TO GO) The unit then changes over to gentle charging mode until the battery is fully charged. To do this, leave the rechargeable battery on the charger for approx. 15 minutes longer. Action: Take the battery pack out of the charger. Disconnect the charger from the mains supply.</p>
Flashing	Off	<p>Adapted charging The charger is in gentle charging mode. For safety reasons the charging is performed less quickly and takes more time. The reasons can be: - The rechargeable battery has not been used for a very long time. - The battery temperature is outside the ideal range. Action: Wait for the charging to be completed; you can still continue to charge the battery pack.</p>
Flashing	Flashing	<p>Fault Charging is no longer possible. The battery pack is defective. Action: Never charge a defective battery pack. Take the battery pack out of the charger.</p>
On	On	<p>Temperature fault The battery pack is too hot (e.g. due to direct sunshine) or too cold (below 0° C). Action: Remove the battery pack and keep it at room temperature (approx. 20° C) for one day .</p>

Disposal

Power tools, rechargeable batteries, accessories and packaging should be sorted for environmental-friendly recycling.

Do not dispose of power tools and batteries/rechargeable batteries into household waste!

Only for EU countries:

According to the Directive 2012/19/EU on waste electrical and electronic equipment and its transposition into national law, power tools that are no longer usable, and, according to the Directive 2006/66/EC, defective or drained batteries must be collected separately and disposed of in an environmentally correct manner.

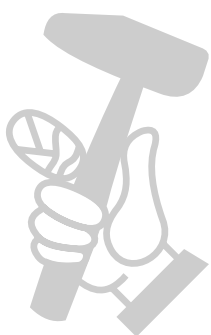
If disposed incorrectly, waste electrical and electronic equipment may have harmful effects on the environment and human health, due to the potential presence of hazardous substances.

Only for United Kingdom:

According to The Waste Electrical and Electronic Equipment Regulations 2013 (SI 2013/3113) (as amended) and the Waste Batteries and Accumulators Regulations 2009 (SI 2009/890) (as amended), products that are no longer usable must be collected separately and disposed of in an environmentally friendly manner.

The reprinting or reproduction by any other means, in whole or in part, of documentation and papers accompanying products is permitted only with the express consent of the Einhell Germany AG.

Subject to technical changes.



Service information

We have competent service partners in all countries named on the guarantee certificate whose contact details can also be found on the guarantee certificate. These partners will help you with all service requests such as repairs, spare and wearing part orders or the purchase of consumables.

Please note that the following parts of this product are subject to normal or natural wear and that the following parts are therefore also required for use as consumables.

Category	Example
Wear parts*	Battery
Consumables*	Bit inserts
Missing parts	

* Not necessarily included in the scope of delivery!

In the effect of defects or faults, please register the problem on the internet at www.Einhell-Service.com. Please ensure that you provide a precise description of the problem and answer the following questions in all cases:

- Did the equipment work at all or was it defective from the beginning?
- Did you notice anything (symptom or defect) prior to the failure?
- What malfunction does the equipment have in your opinion (main symptom)? Describe this malfunction.

