



TP-AG 18/125 F Li BL

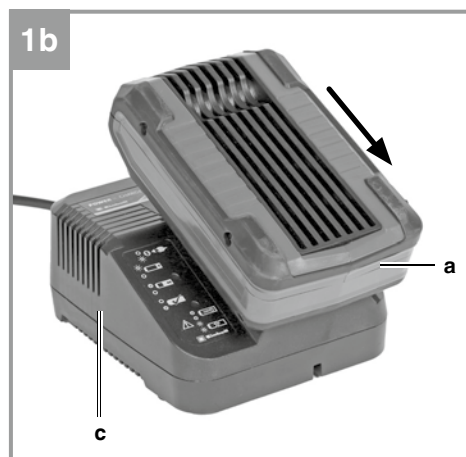
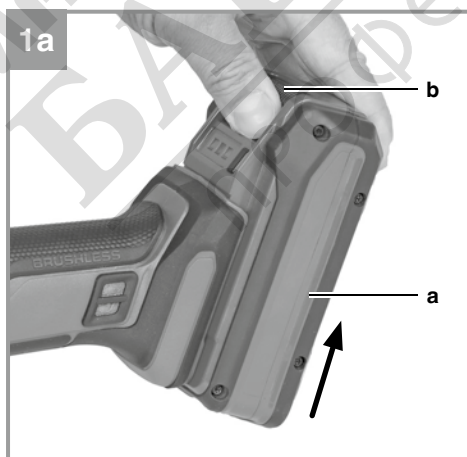
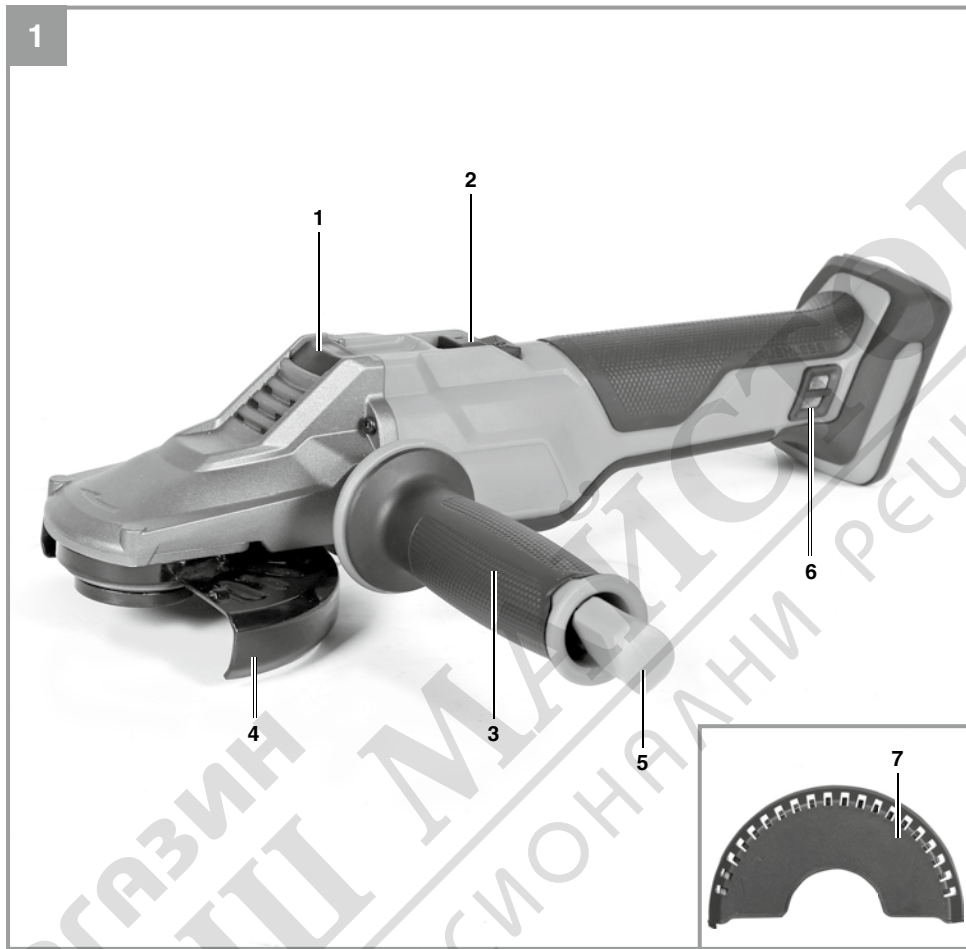
D	Originalbetriebsanleitung Akku-Winkelschleifer	SLO	Originalna navodila za uporabo Akumulatorski kotni brusilnik
GB	Original operating instructions Cordless Angle Grinder	H	Eredeti használati utasítás Akkus-sarokcsiszoló
F	Instructions d'origine Meuleuse d'angle sans fil	RO	Instrucțiuni de utilizare originale Polizor unghiular cu acumulator
I	Istruzioni per l'uso originali Smerigliatrice angolare a batteria	GR	Πρωτότυπες Οδηγίες χρήσης Γωνιακό τριβείο μπαταρίας
DK/ N	Original betjeningsvejledning Akku-vinkelsliber	P	Manual de instrucções original Rebarbadora sem fio
S	Original-bruksanvisning Batteridrivnen vinkelslip	HR/ BIH	Originalne upute za uporabu Akumulatorska kutna brusilica
CZ	Originální návod k obsluze Akumulátorová úhlová bruska	RS	Originalna uputstva za upotrebu Akumulatorska ugaona brusilica
SK	Originálny návod na obsluhu Akumulátorová uhlová brúska	PL	Instrukcja oryginalna Akumulatorowa szlifierka kątowna
NL	Originele handleiding Haakse accuslijper	TR	Orijinal Kullanma Talimatı Akülü avuç taşlama
E	Manual de instrucciones original Amoladora angular de batería	EE	Originaalkasutusjuhend Aku-nurklühvija
FIN	Alkuperäiskäyttöohje Akkukäyttöinen kulmahiomakone		

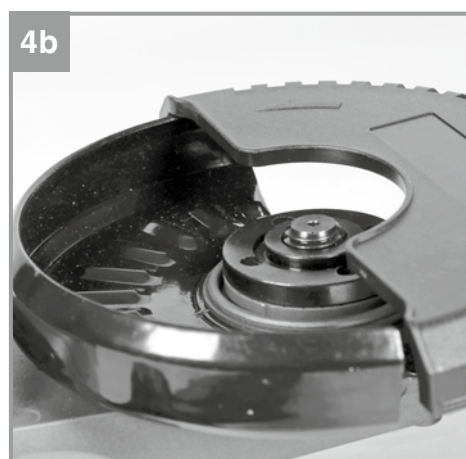
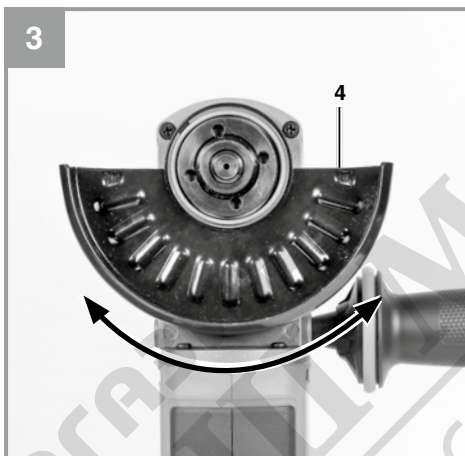
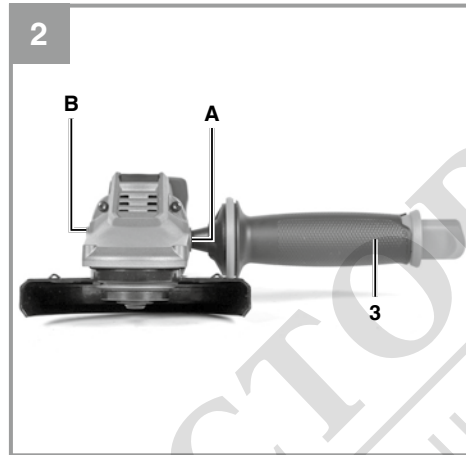
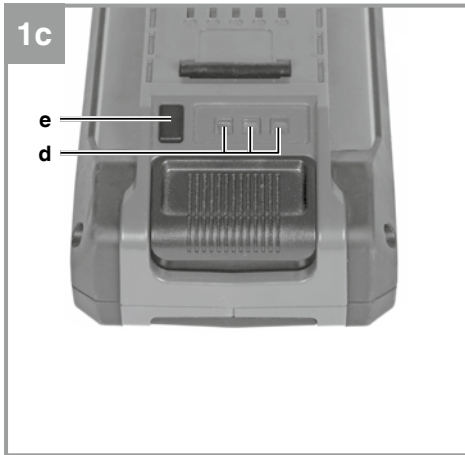
13

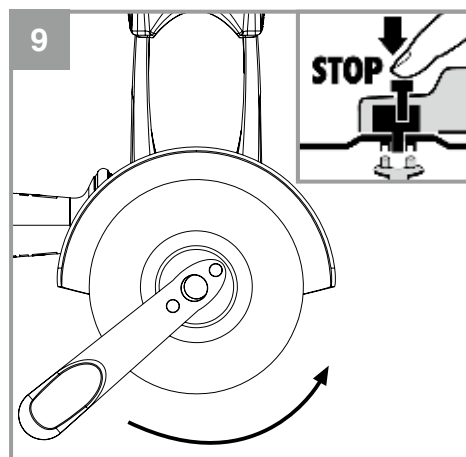
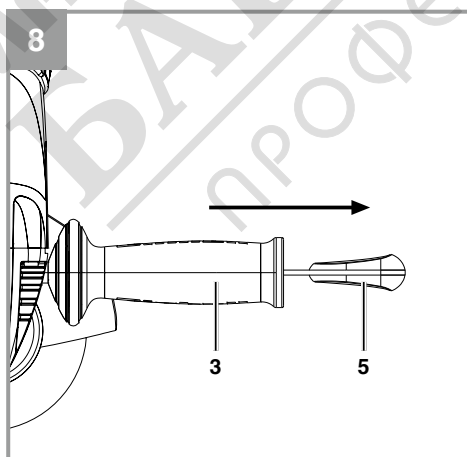
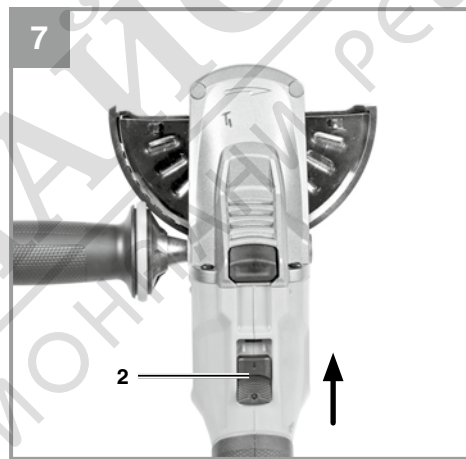
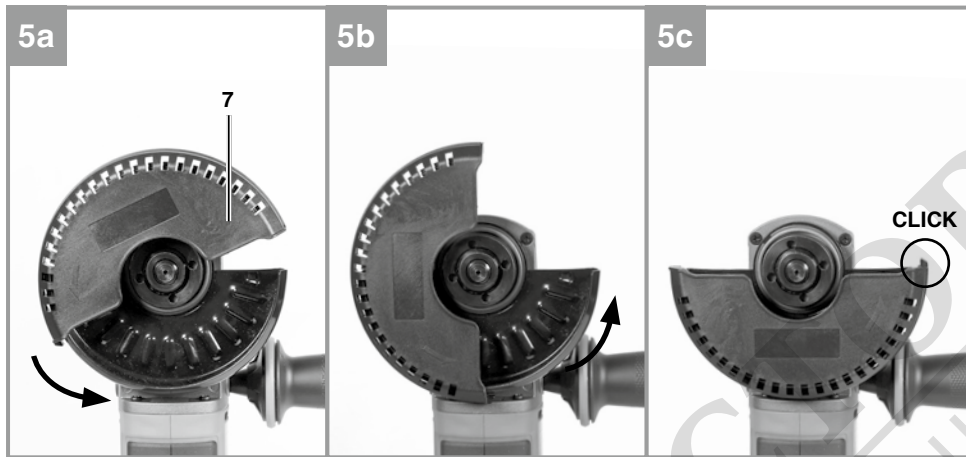


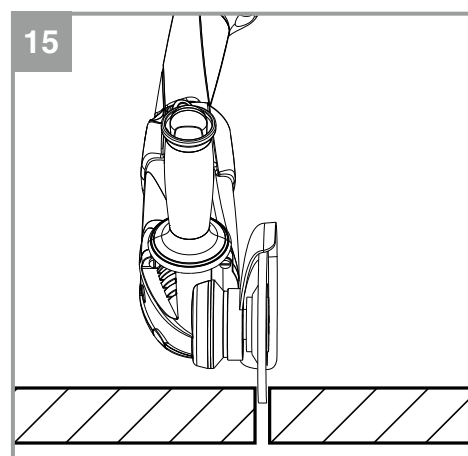
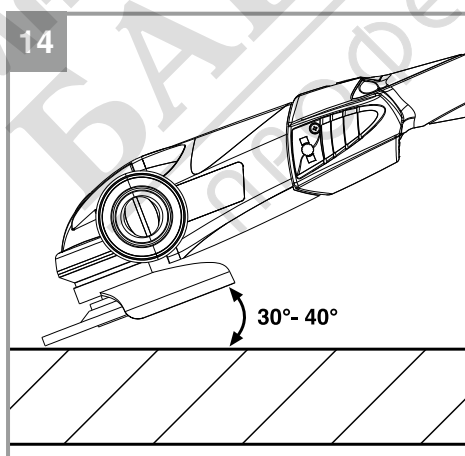
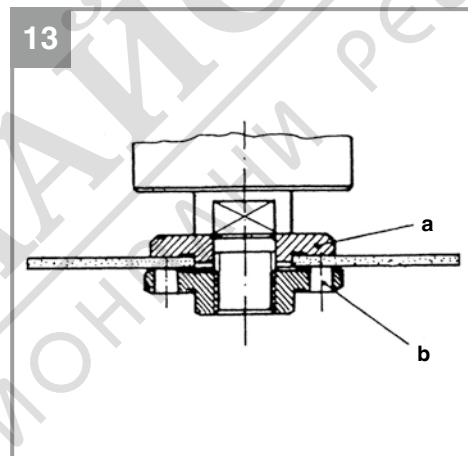
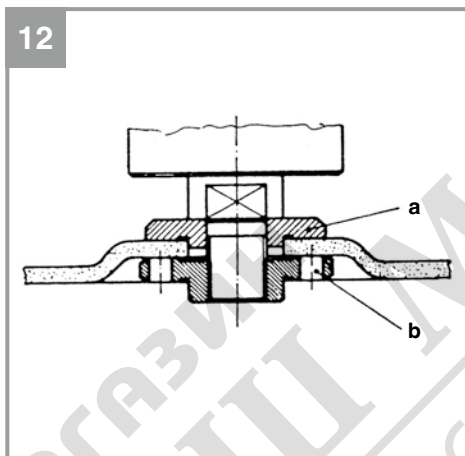
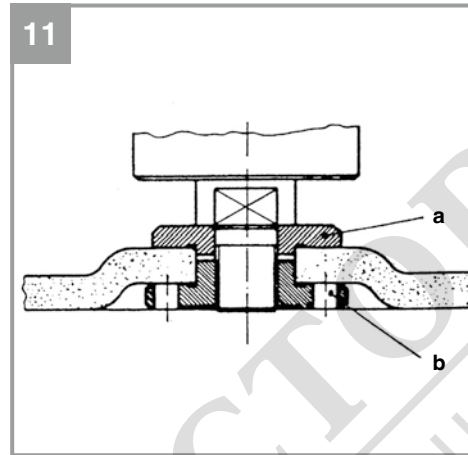
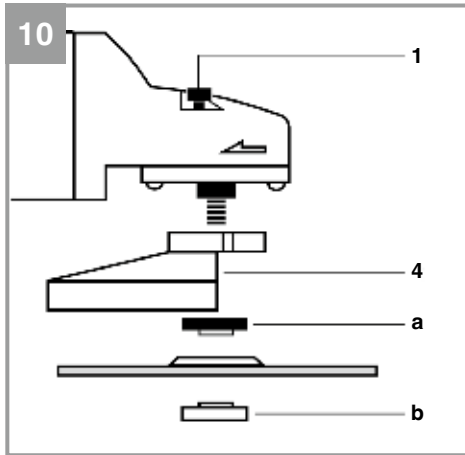
Art.-Nr.: 44.311.75

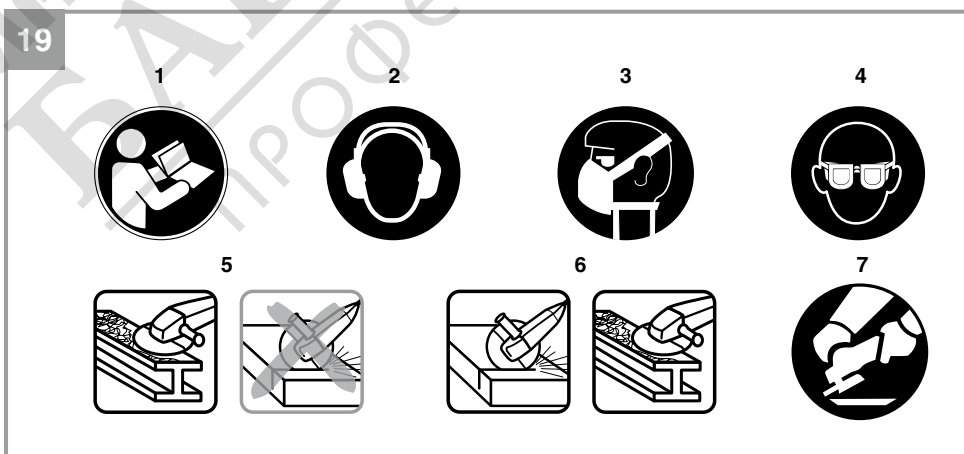
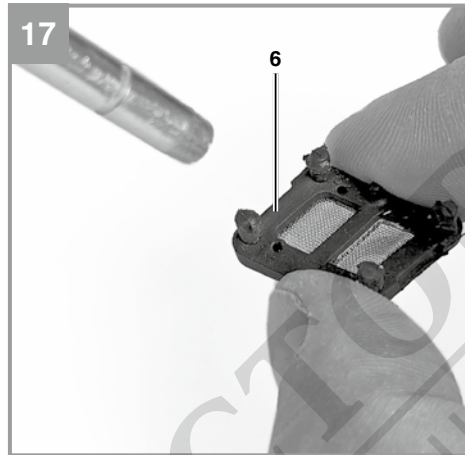
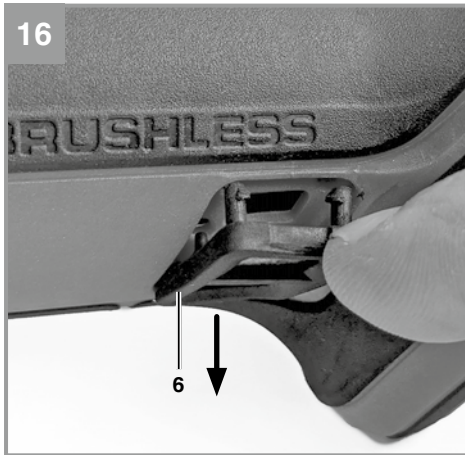
I.-Nr.: 21013











**Danger!**

When using the equipment, a few safety precautions must be observed to avoid injuries and damage. Please read the complete operating instructions and safety regulations with due care. Keep this manual in a safe place, so that the information is available at all times. If you give the equipment to any other person, hand over these operating instructions and safety regulations as well. We cannot accept any liability for damage or accidents which arise due to a failure to follow these instructions and the safety instructions.

**Explanation of the symbols used (see Fig. 19)**

1. **Danger!** - Read the operating instructions to reduce the risk of injury.
2. **Caution! Wear ear-muffs.** The impact of noise can cause damage to hearing.
3. **Caution! Wear a breathing mask.** Dust which is injurious to health can be generated when working on wood and other materials. Never use the device to work on any materials containing asbestos!
4. **Caution! Wear safety goggles.** Sparks generated during working or splinters, chips and dust emitted by the device can cause loss of sight.
5. **This safety guard is designed for sanding/grinding.**
6. **This safety guard is designed for cutting and grinding/sanding.**
7. **Always operate with two hands.**

**1. Safety regulations**

The corresponding safety information can be found in the enclosed booklet.

**Danger!****Read all safety regulations and instructions.**

Any errors made in following the safety regulations and instructions may result in an electric shock, fire and/or serious injury.

**Keep all safety regulations and instructions in a safe place for future use.****2. Layout and items supplied****2.1 Layout (Fig. 1)**

1. Spindle lock
2. ON/OFF switch
3. Additional handle
4. Guard

5. Flange nut wrench
6. Removable dust guard
7. Cutting wheel guard

**2.2 Items supplied**

Please check that the article is complete as specified in the scope of delivery. If parts are missing, please contact our service center or the sales outlet where you made your purchase at the latest within 5 working days after purchasing the product and upon presentation of a valid bill of purchase. Also, refer to the warranty table in the service information at the end of the operating instructions.

- Open the packaging and take out the equipment with care.
- Remove the packaging material and any packaging and/or transportation braces (if available).
- Check to see if all items are supplied.
- Inspect the equipment and accessories for transport damage.
- If possible, please keep the packaging until the end of the guarantee period.

**Danger!**

**The equipment and packaging material are not toys. Do not let children play with plastic bags, foils or small parts. There is a danger of swallowing or suffocating!**

- Angle grinder
- Additional handle
- Flange nut wrench
- Original operating instructions
- Safety instructions

**3. Proper use**

The angle grinder is designed for the grinding of metal and masonry using the appropriate grinding wheel and the appropriate guard.

**Warning!** The angle grinder is allowed to be used for cutting metal and masonry only when the appropriate guard is fitted.

The equipment is to be used only for its prescribed purpose. Any other use is deemed to be a case of misuse. The user / operator and not the manufacturer will be liable for any damage or injuries of any kind caused as a result of this.

#### 4. Technical data

Motor power supply: ..... 18 V DC  
 Rated speed: ..... 8500 min<sup>-1</sup>  
 Max. wheel diameter: ..... 125 mm  
 Grinding wheels: ..... 125 x 22 mm  
 Cutting wheel: ..... 125 x 22 mm  
 Mounting spindle thread: ..... M14  
 Weight: ..... 1.7 kg

#### Danger!

##### Sound and vibration

Sound and vibration values were measured in accordance with EN 62841.

L<sub>PA</sub> sound pressure level ..... 89 dB(A)  
 K<sub>PA</sub> uncertainty ..... 5 dB  
 L<sub>WA</sub> sound power level ..... 97 dB(A)  
 K<sub>WA</sub> uncertainty ..... 5 dB

##### Wear ear-muffs.

The impact of noise can cause damage to hearing.

Total vibration values (vector sum of three directions) determined in accordance with EN 62841.

Vibration emission value a<sub>hAG</sub> = 8,106 m/s<sup>2</sup>  
 K uncertainty = 1.5 m/s<sup>2</sup>

The stated vibration emission levels and stated noise emission values were measured in accordance with a set of standardized criteria and can be used to compare one power tool with another.

The stated vibration emission levels and stated noise emission values can also be used to make an initial assessment of exposure.

##### Warning:

The vibration and noise emission levels may vary from the level specified during actual use, depending on the way in which the power tool is used, especially the type of workpiece it is used for.

#### Keep the noise emissions and vibrations to a minimum.

- Only use appliances which are in perfect working order.
- Service and clean the appliance regularly.
- Adapt your working style to suit the appliance.
- Do not overload the appliance.
- Have the appliance serviced whenever necessary.
- Switch the appliance off when it is not in use.

#### Caution!

##### Residual risks

**Even if you use this electric power tool in accordance with instructions, certain residual risks cannot be ruled out. The following hazards may arise in connection with the equipment's construction and layout:**

1. Lung damage if no suitable protective dust mask is used.
2. Damage to hearing if no suitable ear protection is used.
3. Health damage caused by hand-arm vibrations if the equipment is used over a prolonged period or is not properly guided and maintained.

#### 5. Before starting the equipment

##### Warning!

Always remove the battery pack before making adjustments to the equipment.

##### 5.1 Fitting the additional handle (Fig. 2)

- The angle grinder must not be used without the additional handle (3).
- The additional handle can be secured in any of two positions (A, B).

Tool side	Suitable for
Left (position A / as shown)	Right-handed users
Right (position B)	Left-handed users

##### 5.2 Adjusting the guard (Fig. 3)

- The guard (4) is equipped with an automatic latching function so that it can be adjusted without you having to release a lever or similar.
- To protect your hands, adjust the guard (4) so that the ground material is directed away from your body.

- Do this by simply turning the guard (4) into the required position.
- No additional fastening of the guard (4) is needed.
- The guard (4) cannot be removed from the tool.

### 5.3 Fitting/removing the cutting wheel guard (Fig. 4-6 / Item 7)

- The angle grinder is equipped with a removable cutting wheel guard (7).
- The guard (4) does not need to be replaced in order for you to fit the cutting wheel guard.
- Beginning from the end with the lug (Fig. 4/ Item f), push the removable cutting wheel guard (7) onto the guard.
- Make sure when doing so that the guard (4) lies between the guide ribs of the removable cutting wheel guard (Fig. 4).
- Then push the removable cutting wheel guard counter-clockwise onto the guard until you hear this guard latch in place (Fig. 5a-5c).
- To take off the removable cutting wheel guard (7) again, press the lug (f) slightly away from the guard (4) as shown in Fig. 6 until you can rotate the removable cutting wheel guard (7). Now turn the cutting wheel guard clockwise and off the guard (4).

## 6. Operation

### 6.1 Charging the Li battery pack (Fig. 1a-1b)

1. Remove the battery pack (a) from the handle, pressing the pushlock button (b) downwards to do so.
2. Check that your mains voltage is the same as that marked on the rating plate of the battery charger. Insert the power plug of the charger (c) into the mains socket outlet. The green LED will then begin to flash.
3. Push the battery pack onto the battery charger.

In section 10 (Charger indicator) you will find a table with an explanation of the LED indicator on the charger.

If the battery pack fails to charge, check for the following:

- voltage at the power socket
- whether there is good contact at the charging contacts of the charging unit

If the battery pack still fails to charge, send

- the charger and charging adapter
- and the battery pack

to our customer service center.

**To ensure that items are properly packaged and delivered when you send them to us, please contact our customer service or the point of sale at which the equipment was purchased.**

**When shipping or disposing of batteries and cordless tools, always ensure that they are packed individually in plastic bags to prevent short circuits and fires.**

To ensure that the battery pack provides long service, you should take care to recharge it promptly. You must recharge the battery pack when you notice that the performance of the device drops. Never allow the battery pack to become fully discharged. This will cause it to develop a defect.

### 6.2 Switching on (Fig. 7)

To start the equipment, push the On/Off switch (2) forwards and press it down. To switch off the angle grinder, depress the On/Off switch (2) at the back. The On/Off switch (2) will jump back into its starting position.

#### Important!

The equipment switches to "Standby Mode" after 10 minutes of non-use.

To reactivate: Switch on the equipment twice or press the battery capacity indicator. "Standby Mode" protects the battery.

#### Important!

Following a stoppage (due to overloading), the cordless equipment starts up again automatically.

#### Important!

**Wait until the machine has reached its top speed. You can then position the angle grinder on the workpiece and machine it.**

### 6.3 Battery capacity indicator (Fig. 1c/Item d)

Press the battery capacity indicator switch (e). The battery capacity indicator (d) shows the charge status of the battery using 3 LEDs.

#### All 3 LEDs are lit:

The battery is fully charged.

**2 or 1 LED(s) are lit:**

The battery has an adequate remaining charge.

**1 LED blinks:**

The battery is empty, recharge the battery.

**All LEDs blink:**

The battery temperature is too low. Remove the battery from the equipment, keep it at room temperature for one day. If the fault reoccurs, this means that the rechargeable battery has undergone exhaustive discharge and is defective. Remove the battery from the equipment. Never use or charge a defective battery.

**6.4 Changing the grinding wheels (Fig. 8/9)**

Use the face spanner (5) supplied to change the grinding wheels. The face spanner (5) is stored in the additional handle (3). Pull the face spanner (5) out of the additional handle (3) when you need it.

**Danger!** For safety reasons, the angle grinder must not be operated with the face spanner (5) inserted in it.

- Simple wheel change by spindle lock:
- Press the spindle lock and allow the grinding wheel to latch in place.
- Open the flange nut with the face spanner. (Fig. 9)
- Change the grinding or cutting wheel and tighten the flange nut with the face spanner.

**Notice!**

**Only ever press the spindle lock when the motor and grinding spindle are at a standstill! You must keep the spindle lock pressed while you change the wheel!**

For grinding or cutting wheels up to approx. 3 mm thick, screw on the flange nut with the flat side facing the grinding or cutting wheel.

**6.5 Flange arrangements when using grinding wheels and cutting wheels (Fig. 10-13)**

- Flange arrangement when using a depressed-centre or straight grinding wheel (Fig. 11)
  - a) Clamping flange
  - b) Flange nut
- Flange arrangement when using a depressed-centre cutting wheel (Fig. 12)
  - a) Clamping flange
  - b) Flange nut

- Flange arrangement when using a straight cutting wheel (Fig. 13)
  - a) Clamping flange
  - b) Flange nut

**6.6 Test run for new grinding Wheels**

Allow the right-angle grinder to run in idle for at least 1 minute with the grinding or cutting wheel fitted in place. Vibrating wheels are to be replaced immediately.

**6.7 Grinding Wheels**

- Never use a grinding or cutting wheel bigger than the specified diameter.
- Before using a grinding or cutting wheel, check its rated speed.
- The maximum speed of the grinding or cutting wheel used must be higher than the idle speed of the angle grinder.
- Use only grinding and cutting wheels that are approved for a minimum speed of 8,500 rpm and a peripheral speed of 56 m/sec.
- Check the direction of rotation when you use diamond cutting wheels. The directional arrow on the diamond cutting wheel must point in the direction in which the tool rotates.

**Warning!****6.8 Operating Modes****6.8.1 Rough grinding (Fig. 14)****Caution: Use the safety device for sanding/grinding**

For the best rough grinding results, hold the grinding wheel at an angle of between 30° and 40° to the workpiece surface and guide back and forth over the workpiece in steady movements.

**6.8.2 Cutting (Fig. 15)****Caution: Use the safety device for abrasive cutting.**

When you use the right-angle grinder for cutting purposes, avoid tilting it in the cutting plane. The cutting wheel must have a clean cutting edge. A diamond cutting wheel is best used to cut hard stone.

**6.9 Motor**

It is vital for the motor to be well ventilated during operation. Be sure, therefore, to keep the ventilation holes clean at all times.

**Warning!**

Take special care that the grinding/sanding wheels are properly stored and transported.

Ensure that the grinding/sanding wheels are never exposed to shock, jolts or sharp edges (for example during transport or storage in a toolbox). This could cause damage (such as cracks) to the grinding/sanding wheels and place the user in serious danger.

**It is prohibited to use the machine on asbestos materials!  
Never use a cutting wheel for rough grinding.**

**Note:**

To increase the power and running time of the cordless equipment, we recommend using our 4.0 Ah Power X-Change.

(Art. No.: 45.113.96)

**Important!**

To increase the cutting performance and running time of the cordless equipment, we recommend that you use a cutting wheel with a thickness of 1 mm.

**6.10 Removable dust guard  
(Fig. 16-18/Item 6)**

The cordless angle grinder is equipped with a removable dust guard in order to protect the motor from too high a dust load. For cleaning purposes, take off the removable dust guard (6) as shown in Fig. 16, clean it with compressed air, and refit it on the tool as shown in Fig. 18.

**7. Cleaning, maintenance and ordering of spare parts**

**Danger!**

Always pull out the battery pack before starting any cleaning work.

**7.1 Cleaning**

- Keep all safety devices, air vents and the motor housing free of dirt and dust as far as possible. Wipe the equipment with a clean cloth or blow it with compressed air at low pressure.
- We recommend that you clean the device immediately each time you have finished using it.
- Clean the equipment regularly with a moist cloth and some soft soap. Do not use cleaning agents or solvents; these could attack the plastic parts of the equipment. Ensure

that no water can seep into the device. The ingress of water into an electric tool increases the risk of an electric shock.

**7.2 Maintenance**

There are no parts inside the equipment which require additional maintenance.

**7.3 Ordering replacement parts:**

Please quote the following data when ordering replacement parts:

- Type of machine
- Article number of the machine
- Identification number of the machine
- Replacement part number of the part required

For our latest prices and information please go to [www.Einhell-Service.com](http://www.Einhell-Service.com)

**8. Disposal and recycling**

The equipment is supplied in packaging to prevent it from being damaged in transit. The raw materials in this packaging can be reused or recycled. The equipment and its accessories are made of various types of material, such as metal and plastic. Never place defective equipment in your household refuse. The equipment should be taken to a suitable collection center for proper disposal. If you do not know the whereabouts of such a collection point, you should ask in your local council offices.

**9. Storage**

Store the equipment and accessories in a dark and dry place at above freezing temperature. The ideal storage temperature is between 5 and 30 °C. Store the electric tool in its original packaging.

## 10. Charger indicator

Indicator status		Explanations and actions
Red LED	Green LED	
Off	Flashing	<p><b>Ready for use</b> The charger is connected to the mains and is ready for use; there is no battery pack in the charger</p>
On	Off	<p><b>Charging</b> The charger is charging the battery pack in quick charge mode. The charging times are shown directly on the charger. Important! The actual charging times may vary slightly from the stated charging times depending on the existing battery charge.</p>
Off	On	<p><b>The battery is charged and ready for use. (READY TO GO)</b> The unit then changes over to gentle charging mode until the battery is fully charged. To do this, leave the rechargeable battery on the charger for approx. 15 minutes longer. <b>Action:</b> Take the battery pack out of the charger. Disconnect the charger from the mains supply.</p>
Flashing	Off	<p><b>Adapted charging</b> The charger is in gentle charging mode. For safety reasons the charging is performed less quickly and takes more time. The reasons can be: - The rechargeable battery has not been used for a very long time. - The battery temperature is outside the ideal range. <b>Action:</b> Wait for the charging to be completed; you can still continue to charge the battery pack.</p>
Flashing	Flashing	<p><b>Fault</b> Charging is no longer possible. The battery pack is defective. <b>Action:</b> Never charge a defective battery pack. Take the battery pack out of the charger.</p>
On	On	<p><b>Temperature fault</b> The battery pack is too hot (e.g. due to direct sunshine) or too cold (below 0° C). <b>Action:</b> Remove the battery pack and keep it at room temperature (approx. 20° C) for one day .</p>

**Disposal**

Power tools, rechargeable batteries, accessories and packaging should be sorted for environmental-friendly recycling.

Do not dispose of power tools and batteries/rechargeable batteries into household waste!

**Only for EU countries:**

According to the Directive 2012/19/EU on waste electrical and electronic equipment and its transposition into national law, power tools that are no longer usable, and, according to the Directive 2006/66/EC, defective or drained batteries must be collected separately and disposed of in an environmentally correct manner.

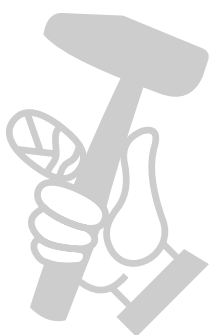
If disposed incorrectly, waste electrical and electronic equipment may have harmful effects on the environment and human health, due to the potential presence of hazardous substances.

**Only for United Kingdom:**

According to The Waste Electrical and Electronic Equipment Regulations 2013 (SI 2013/3113) (as amended) and the Waste Batteries and Accumulators Regulations 2009 (SI 2009/890) (as amended), products that are no longer usable must be collected separately and disposed of in an environmentally friendly manner.

The reprinting or reproduction by any other means, in whole or in part, of documentation and papers accompanying products is permitted only with the express consent of the Einhell Germany AG.

Subject to technical changes.



## Service information

We have competent service partners in all countries named on the guarantee certificate whose contact details can also be found on the guarantee certificate. These partners will help you with all service requests such as repairs, spare and wearing part orders or the purchase of consumables.

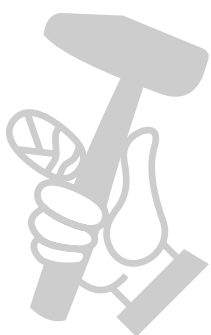
Please note that the following parts of this product are subject to normal or natural wear and that the following parts are therefore also required for use as consumables.

Category	Example
Wear parts*	Carbon brushes, Battery
Consumables*	Cutting wheels, grinding wheels
Missing parts	

\* Not necessarily included in the scope of delivery!

In the effect of defects or faults, please register the problem on the internet at [www.Einhell-Service.com](http://www.Einhell-Service.com). Please ensure that you provide a precise description of the problem and answer the following questions in all cases:

- Did the equipment work at all or was it defective from the beginning?
- Did you notice anything (symptom or defect) prior to the failure?
- What malfunction does the equipment have in your opinion (main symptom)? Describe this malfunction.



## Warranty certificate

Dear Customer,

All of our products undergo strict quality checks to ensure that they reach you in perfect condition. In the unlikely event that this equipment develops a fault, please contact our service department at the address shown on this guarantee card. You can also contact us by telephone using the service number shown. Please note the following terms under which guarantee claims can be made:

1. These guarantee terms apply solely to consumers, i.e. natural persons, who do not want to use this product in connection with either their commercial or other self-employed activities. These guarantee terms regulate additional guarantee services which the undermentioned manufacturer promises to buyers of its new products in addition to their statutory rights of guarantee. Your statutory rights of guarantee are not affected by this guarantee. Our guarantee is free of charge to you.
2. The guarantee services cover only defects due to material or manufacturing faults on the new product which you have bought in the European Union from the undermentioned manufacturer and are limited to either the rectification of said defects or the replacement of the product, whichever we prefer. Please note that only equipment under the brand name "Professional" has been designed for use in commercial, trade or professional applications. For all other products the guarantee is invalidated if the equipment is used within the guarantee period in commercial, trade or industrial applications or for other equivalent activities.
3. Our guarantee does not cover:
  - Damage to the equipment caused by failure to comply with the installation/assembly instructions or by unprofessional installation; damage caused by failure to comply with the operating instructions (e.g. connection to the wrong mains voltage or current type); damage caused by failure to comply with the maintenance and safety regulations; damage caused by exposing the equipment to abnormal environmental conditions; damage resulting from poor care and maintenance.
  - Damage to the equipment caused by misuse or incorrect applications (e.g. overloading the equipment or using non-approved attachments or accessories); damage caused by foreign bodies (e.g. sand, stones, dust, ...) getting inside the equipment. Damage in transit; damage caused by force or external influences (e.g. by dropping the equipment).
  - Damage to the equipment or parts of the equipment which is owed to use-related, normal or otherwise natural wear. For example, batteries and battery packs are manufactured with a cycle limit for design-related reasons. Wear is negatively influenced in particular by load demands and charging speeds as well as exposure to heat, cold, vibration and impact.
4. The guarantee is valid for a period of 2 years starting from the purchase date of the equipment. Guarantee claims must be submitted before the end of the guarantee period and within two weeks of the defect being noticed. No guarantee claims will be accepted after the end of the guarantee period. The original guarantee period remains applicable to the equipment even if repairs are carried out or parts are replaced. In such cases, the work performed or parts fitted will not result in an extension of the guarantee period, and no new guarantee will become active for the work performed or for any replacement parts fitted. This also applies if on-site service is used.
5. To assert your guarantee claim, register the defective equipment at: [www.Einhell-Service.com](http://www.Einhell-Service.com). You will need to provide proof of purchase of the new item of equipment. Equipment returned without such proof or without a rating plate are excluded from the guarantee services because of the lack of traceability. If the defect is covered by our guarantee, then either the item in question will be repaired immediately and returned to you or we will send you a new replacement.
6. If you have taken the equipment with you to a different EU country than where you bought it, we will arrange for a local service partner to provide the guarantee services. If you take the equipment outside the EU, the guarantee will not apply.

Of course, we are also happy to offer a chargeable repair service for any defects which are not covered or no longer covered by the scope of this guarantee. To take advantage of this service, please send the equipment to our service address. We draw attention to the restrictions of this guarantee concerning wear parts, consumables and missing parts as presented in the service information included in this operating manual.

Warrantor/ Service:

Einhell UK Ltd, Unit 10, 1st Floor, Champion's Business Park, Arrowse Brook Road, Upton, Wirral, CH49 0AB