



TP-JS 18/135 Li BL

D	Originalbetriebsanleitung Akku-Stichsäge	FIN	Alkuperäiskäyttöohje Akkukäyttöinen pistosaha
GB	Original operating instructions Cordless Jigsaw	SLO	Originalna navodila za uporabo Akumulatorska žaga luknjarica
F	Instructions d'origine Scie sauteuse sans fil	H	Eredeti használati utasítás Akkus-Szúrófűrész
I	Istruzioni per l'uso originali Seghetto alternativo a batteria	RO	Instrucțiuni de utilizare originale Ferăstrău pendular cu acumulator
DK/ N	Original betjeningsvejledning Akku-stiksav	GR	Πρωτότυπες Οδηγίες χρήσης Σέγα χεριού με μπαταρία
S	Original-bruksanvisning Batteridrivnen sticksåg	P	Manual de instrucções original Serra tico-tico sem fio
CZ	Originální návod k obsluze Akumulátorová přímočará píla	HR/ BIH	Originalne upute za uporabu Akumulatorska ubodna píla
SK	Originálny návod na obsluhu Akumulátorová priamočiara píla	RS	Originalna uputstva za upotrebu Akumulatorska ubodna testera
NL	Originele handleiding Accu-decoupeerzaag	PL	Instrukcja oryginalną Wyrzynarka akumulatorowa
E	Manual de instrucciones original Sierra de vaivén de batería	TR	Orijinal Kullanma Talimatı Akülü dekupaj testere
		EE	Originaalkasutusjuhend Aku-tikkaaag

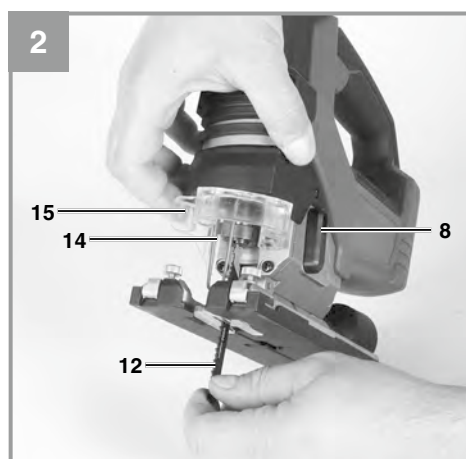
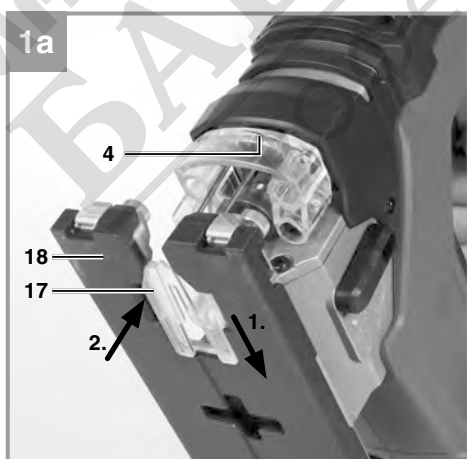
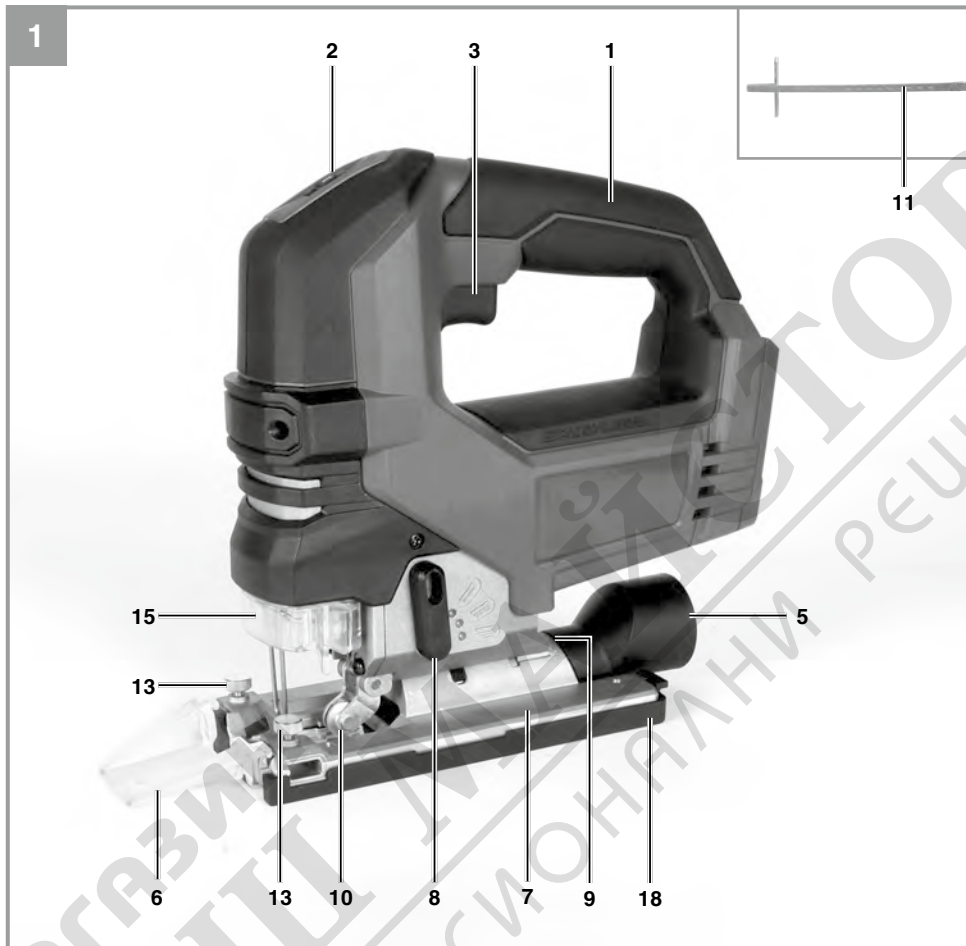
13

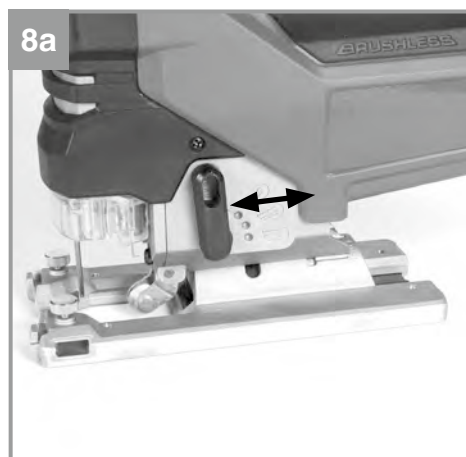
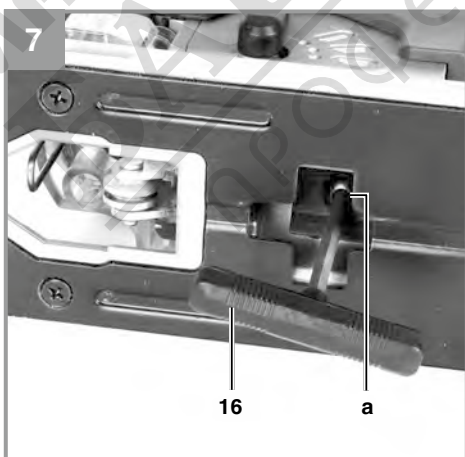
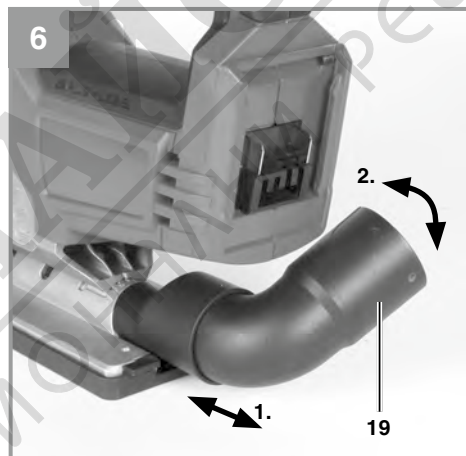
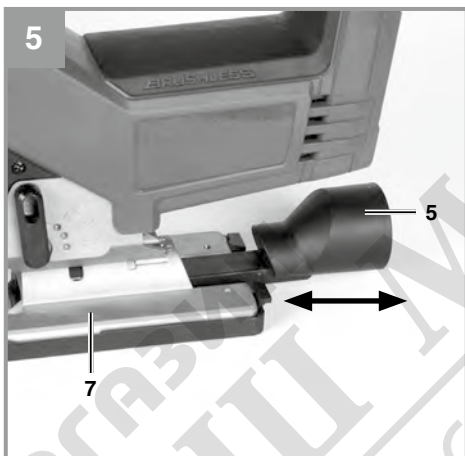
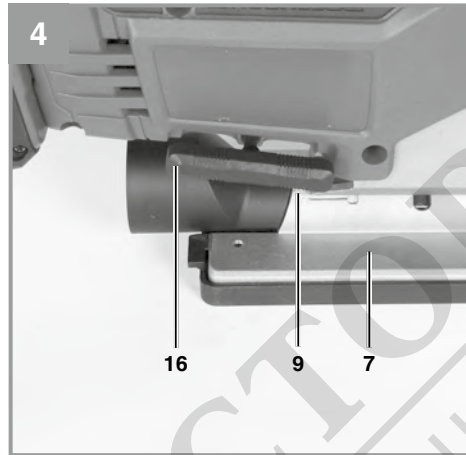
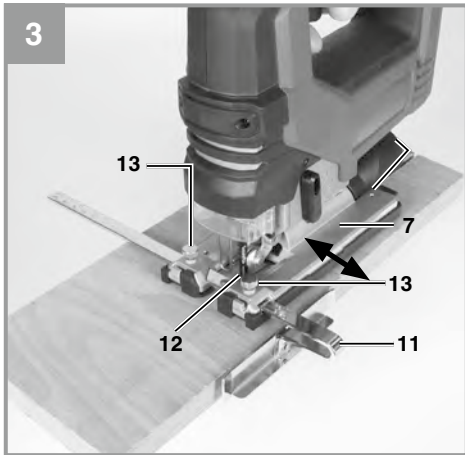


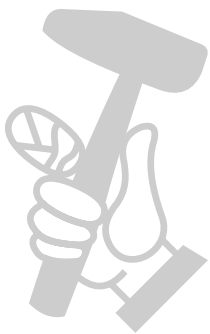
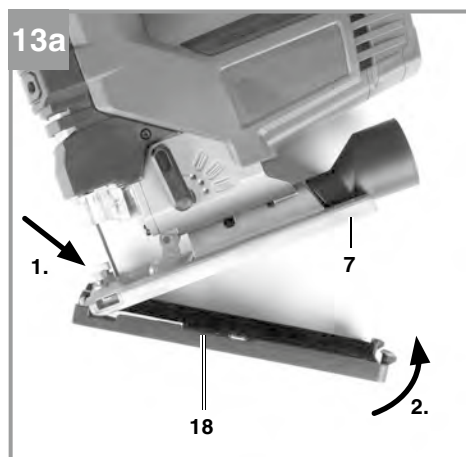
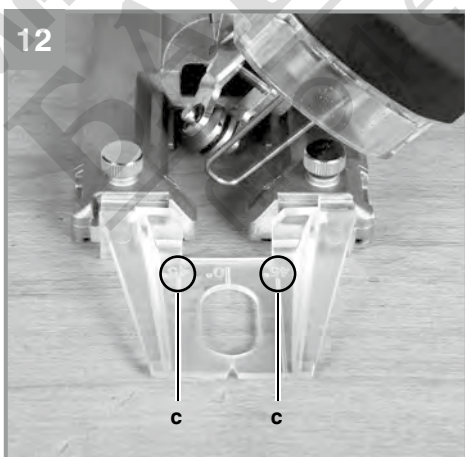
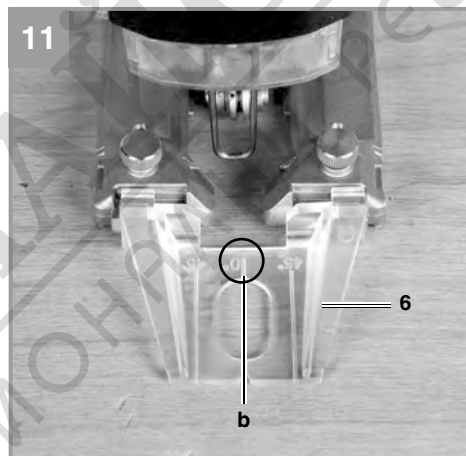
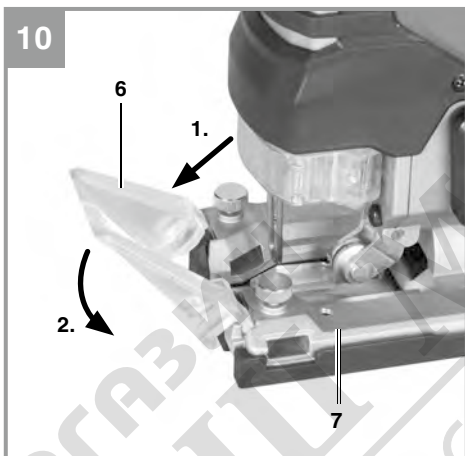
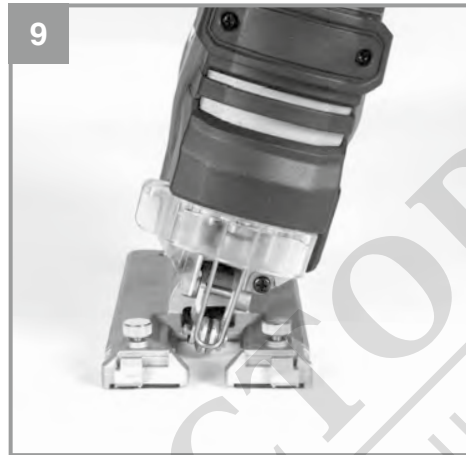
Art.-Nr.: 43.212.60

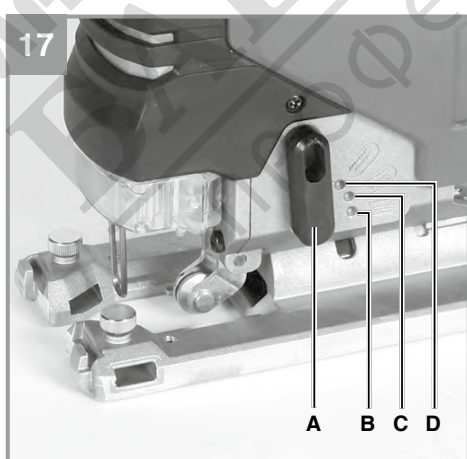
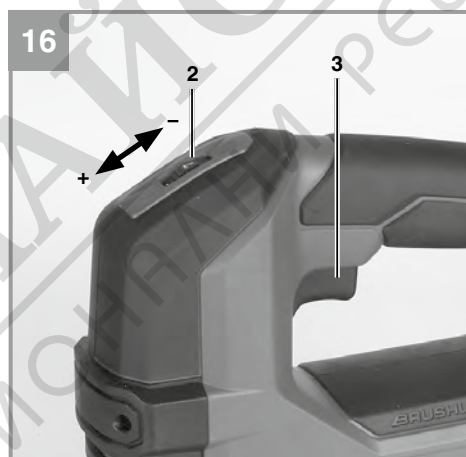
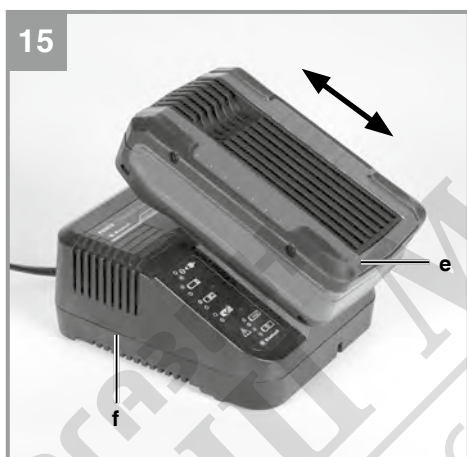
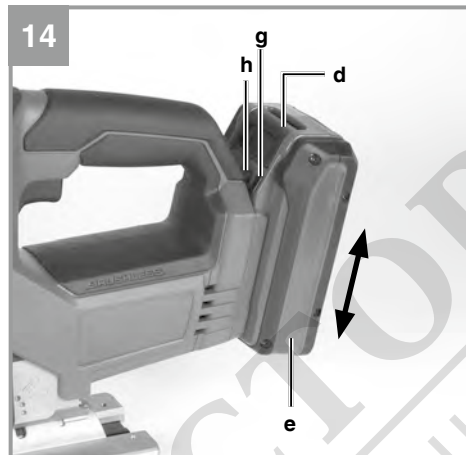
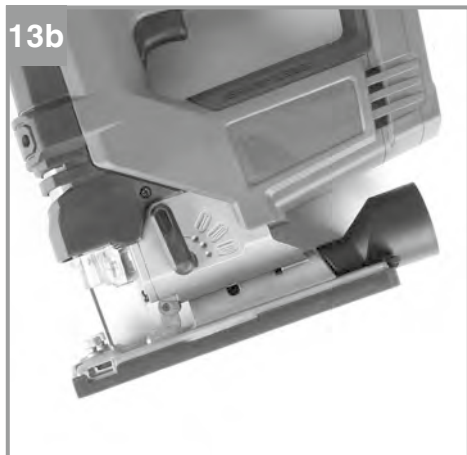


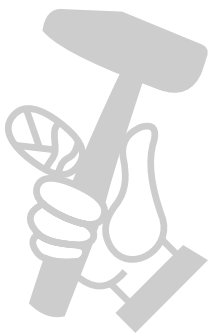
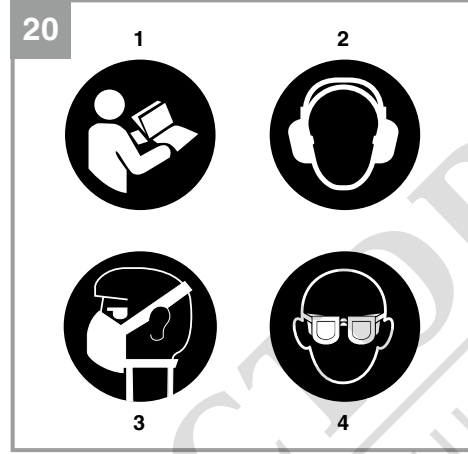
I.-Nr.: 21011











МАГАЗИН
БАШ МАЙСТРА
ПРОФЕСІОНАЛНИ РЕШЕННЯ

Danger!

When using the equipment, a few safety precautions must be observed to avoid injuries and damage. Please read the complete operating instructions and safety regulations with due care. Keep this manual in a safe place, so that the information is available at all times. If you give the equipment to any other person, hand over these operating instructions and safety regulations as well. We cannot accept any liability for damage or accidents which arise due to a failure to follow these instructions and the safety instructions.

Explanation of the symbols used (see Fig. 20)

1. **Danger!** - Read the operating instructions to reduce the risk of injury.
2. **Caution! Wear ear-muffs.** The impact of noise can cause damage to hearing.
3. **Caution! Wear a breathing mask.** Dust which is injurious to health can be generated when working on wood and other materials. Never use the device to work on any materials containing asbestos!
4. **Caution! Wear safety goggles.** Sparks generated during working or splinters, chips and dust emitted by the device can cause loss of sight.

1. Safety regulations

The corresponding safety information can be found in the enclosed booklet.

Warning!

Read all the safety information, instructions, illustrations and technical data provided on or with this power tool. Failure to adhere to the following instructions may result in electric shock, fire and/or serious injury.

Keep all the safety information and instructions in a safe place for future use.

2. Layout and items supplied**2.1 Layout (Fig. 1,2,3)**

1. Handle
2. Speed selector
3. On/Off switch
4. LED lamp
5. Adapter for dust extraction system
6. Line guide
7. Adjustable soleplate
8. Selector switch for pendulum action

9. Dial scale for soleplate
10. Guide roller
11. Parallel stop
12. Saw blade
13. Locking screws for parallel stop
14. Blade holder
15. Safety guard
16. Hexagon key
17. Splinter guard
18. Removable cover
19. Angle adapter for sawdust extraction

2.2 Items supplied

Please check that the article is complete as specified in the scope of delivery. If parts are missing, please contact our service center or the sales outlet where you made your purchase at the latest within 5 working days after purchasing the product and upon presentation of a valid bill of purchase. Also, refer to the warranty table in the service information at the end of the operating instructions.

- Open the packaging and take out the equipment with care.
- Remove the packaging material and any packaging and/or transportation braces (if available).
- Check to see if all items are supplied.
- Inspect the equipment and accessories for transport damage.
- If possible, please keep the packaging until the end of the guarantee period.

Danger!

The equipment and packaging material are not toys. Do not let children play with plastic bags, foils or small parts. There is a danger of swallowing or suffocating!

- Cordless jigsaw
- Parallel stop
- Adapter for dust extraction system
- Line guide
- Splinter guard
- Hexagon key
- Splinter guard
- Removable cover
- Original operating instructions
- Safety instructions

3. Proper use

The cordless jigsaw is designed for sawing wood, metals, non-ferrous metals and plastics using the appropriate saw blade.

The equipment is to be used only for its prescribed purpose. Any other use is deemed to be a case of misuse. The user / operator and not the manufacturer will be liable for any damage or injuries of any kind caused as a result of this.

4. Technical data

Motor power supply: 18 V DC
 Stroke speed: 0-3500 min⁻¹
 Stroke height: 26 mm
 Saw blade width: 0.8-1.7 mm
 Cutting depth, wood: 135 mm
 Cutting depth, plastic: 20 mm
 Cutting depth, iron/aluminium: 10 mm
 Miter cut: up to 45° (left and right)
 Weight: 2.2 kg

Important!

The equipment is supplied without rechargeable batteries and without a charger and is allowed to be used only with the lithium-ion batteries of the Power X-Change series!

The lithium-ion batteries of the Power X-Change series are allowed to be charged only with Power-X chargers.

Danger!

Sound and vibration

Sound and vibration values were measured in accordance with EN 62841.

L_{pA} sound pressure level 90 dB(A)
 K_{pA} uncertainty 5 dB
 L_{WA} sound power level 101 dB(A)
 K_{WA} uncertainty 5 dB

Wear ear-muffs.

The impact of noise can cause damage to hearing.

Total vibration values (vector sum of three directions) determined in accordance with EN 62841.

Sawing particleboard

Vibration emission value a_h = 4.6 m/s²
 K uncertainty = 1.5 m/s²

Sawing sheet metal

Vibration emission value a_h = 5.4 m/s²
 K uncertainty = 1.5 m/s²

The stated vibration emission levels and stated noise emission values were measured in accordance with a set of standardized criteria and can be used to compare one power tool with another.

The stated vibration emission levels and stated noise emission values can also be used to make an initial assessment of exposure.

Warning:

The vibration and noise emission levels may vary from the level specified during actual use, depending on the way in which the power tool is used, especially the type of workpiece it is used for.

Keep the noise emissions and vibrations to a minimum.

- Only use appliances which are in perfect working order.
- Service and clean the appliance regularly.
- Adapt your working style to suit the appliance.
- Do not overload the appliance.
- Have the appliance serviced whenever necessary.
- Switch the appliance off when it is not in use.

Caution!

Residual risks

Even if you use this electric power tool in accordance with instructions, certain residual risks cannot be ruled out. The following hazards may arise in connection with the equipment's construction and layout:

1. Lung damage if no suitable protective dust mask is used.
2. Damage to hearing if no suitable ear protection is used.
3. Health damage caused by hand-arm vibrations if the equipment is used over a prolonged period or is not properly guided and maintained.

5. Before starting the equipment

Warning!

Always remove the battery pack before making adjustments to the equipment.

5.1 Safety guard (Fig. 1/Item 15)

- The safety guard (15) protects the user from accidentally touching the saw blade (12) but still gives you an unobstructed view of the cutting area.
- The safety guard (15) also serves to release the blade (12) (see section 5.2).

5.2 Changing the saw blade (Fig. 2/Item 12)

Warning!

Remove the battery pack before you fit or replace a saw blade.

- You can fit or replace saw blades without using any other tools.
- Set the selector switch for pendulum action (8) to position D (see Fig. 17).
- The teeth of the saw blade are very sharp!
- Pull the safety guard (15) forwards as shown in Fig. 2. The blade holder (14) will be released as the result.
- Now push the blade (12) into the blade holder (14) as far as the stop and let the safety guard (15) slide back slowly to the rear.
- The teeth on the blade must be pointing forwards.
- Make sure that the blade (12) is seated in the guide roller (10).
- Check that the blade (12) is firmly seated in the blade holder (14).
- To remove the blade (12), pull the safety guard (15) back to the front.
- CAUTION! While you do this, a spring mechanism will automatically press the blade (12) out of the blade holder (14). To prevent the blade from being catapulted out of the holder when this happens, hold the blade firmly at the same time!

5.3 Installing the parallel stop (Fig. 3/Item 11)

- The parallel stop (11) enables you to saw parallel cuts.
- Undo the two locking screws for the parallel stop (13) on the soleplate (7).
- Now slide the parallel stop (11) into the guides on the soleplate (7). You can fit the parallel stop (11) on either the left or right of the equipment.

- The guide strip must always face downwards. Set the required distance using the measurement scale on the parallel stop (11) and tighten the locking screws for the parallel stop (13) again.

Important!

The blade (12) functions in this case as the read-off point.

5.4 Setting the soleplate for miter cuts (Fig. 7-8)

- Use the hexagon key (16) to loosen the screws for the soleplate on the bottom of the adjustable soleplate (7) (Fig. 7).
- Pull the soleplate (7) backwards slightly. The soleplate can now be swiveled a maximum 45° to the left and right.
- If the soleplate (7) is pushed back to the front again, this will work only at 0°. Move the soleplate into the required position and refasten the screw securing the soleplate.
- However, the soleplate (7) is also easily set to another angle. To do so, move the soleplate (7) to the rear, set the desired angle and refasten the screw securing the soleplate.

Important! The splinter guard (17) must be removed during miter cuts.

5.5 Adapter for dust extraction system (Fig. 5/Item 5)

- Connect your cordless jigsaw to a vacuum cleaner using the adapter for chip extraction (5). This will ensure optimum chip extraction from the workpiece. The benefits are that you will protect both the equipment and your own health. Your work area will also be cleaner and safer.
- Dust created when working may be dangerous. Refer to the section entitled "Safety information".
- Fit the adapter for chip extraction (5) as shown in Fig. 5. The adapter for chip extraction (5) must audibly engage to ensure that it is secure in the soleplate (7).
- Using the angle adapter for sawdust extraction (19) you can also extract sawdust from the side of the machine.
- To do so, insert the angle adapter for sawdust extraction (19) into the adapter for sawdust extraction (5) as shown in Fig. 6 and turn the angle adapter for sawdust extraction (19) into the position of your choice.

- Fit the vacuum tube of the vacuum cleaner onto the opening of the adapter for chip extraction (5). Check that the connections are air-tight.

5.6 Line guide (Fig. 10-12/Item 6)

Using the line guide (6) you can carry out exact cuts following cutting lines marked on the workpiece. Fit the line guide by mounting it on the top of the soleplate (7) and letting it lock in place at the bottom, as shown in Fig. 10. Use the mark (b) for the 0° angle setting (Fig. 11) and the mark (c) for the 45° angle setting (Fig. 12). See point 5.4 for information about the angle setting.

Important! Carry out a trial cuts in a piece of waste wood.

To remove the line guide (6) simply press it downwards.

5.7 Splinter guard (Fig. 10/Item 17)

The splinter guard ensures that the material you want to cut does not splinter or crack during sawing. Insert it into the soleplate from underneath as shown in Fig. 10.

Fit the splinter guard into the removable cover from underneath (18) as shown in Fig. 11. Then latch it in the removable cover (18) in order to secure it.

Note! The splinter guard can be used only for 0° cuts and must be removed for miter cuts up to 45°!

5.8 Removable cover (Fig. 13/Item 18)

The adjustable soleplate is equipped with a removable cover (18). This prevents sensitive surfaces from becoming scratched.

To fit the removable cover (18), hook it onto the front as shown in Fig. 13 and swing it onto the soleplate at the rear until you hear it latch in place. To dismantle, proceed in reverse order.

5.9 Charging the Li battery pack (Fig. 14-15)

1. Remove the battery pack (g) from the handle, pressing the pushlock button (f) downwards to do so.
2. Check that your mains voltage is the same as that marked on the rating plate of the battery charger. Insert the power plug of the charger (h) into the mains socket outlet. The green LED will then begin to flash.
3. Push the battery pack onto the battery charger.

In section 10 (Charger indicator) you will find a table with an explanation of the LED indicator on the charger.

If the battery pack fails to charge, check for the following:

- voltage at the power socket
- whether there is good contact at the charging contacts of the charging unit

If the battery pack still fails to charge, send

- the charger and charging adapter
- and the battery pack

to our customer service center.

To ensure that items are properly packaged and delivered when you send them to us, please contact our customer service or the point of sale at which the equipment was purchased.

When shipping or disposing of batteries and cordless tools, always ensure that they are packed individually in plastic bags to prevent short circuits and fires.

To ensure that the battery pack provides long service, you should take care to recharge it promptly. You must recharge the battery pack when you notice that the performance of the device drops. Never allow the battery pack to become fully discharged. This will cause it to develop a defect.

5.10 Battery capacity indicator (Fig. 14 / Item h)

Press the button for the battery capacity indicator (g). The battery capacity indicator (h) shows the charge status of the battery using 3 LEDs.

All 3 LEDs are lit:

The battery is fully charged.

2 or 1 LED(s) are lit:

The battery has an adequate remaining charge.

1 LED blinks:

The battery is empty, recharge the battery.

All LEDs blink:

The battery temperature is too low. Remove the battery from the equipment, keep it at room temperature for one day. If the fault reoccurs, this means that the rechargeable battery has undergone exhaustive discharge and is defective. Remove the battery from the equipment. Never use or

charge a defective battery.

6. Operation

6.1 On/Off switch (Fig. 16/Item 3)

Switching on:

Press the On/Off switch (3).

Switching off:

Release the On/Off switch (3).

6.2 Adjusting the speed (Fig. 16/Item 2)

You can pre-select the required speed with the speed selector (2). Turn the speed selector (2) in PLUS direction to increase the speed, and turn the speed selector (2) in MINUS direction to reduce the speed. The appropriate stroke speed depends on the material you want to cut and on the working conditions.

The general rules for cutting speeds in metal also apply.

While you can generally use a higher speed with fine saw blades, lower speeds are required for coarse saw blades.

6.3 Setting the pendulum action (Fig. 14/Item 8)

The strength of the pendulum action of the saw blade (12) can be adjusted using the selector switch for pendulum action (8).

You can adjust the cutting speed, cutting performance and appearance of the cut to the workpiece you want to saw.

Set the selector switch for pendulum action (8) to one of the following positions:

Position A = no pendulum action

Material: Rubber, ceramic, aluminium, steel

Please note: For fine and clean cuts, thin materials (e.g. sheet steel) and hard materials.

Position B = small pendulum action

Material: Plastic, wood, aluminium

Please note: For hard materials.

Position C = medium pendulum action

Material: Wood

Position D = large pendulum action

Material: Wood

Please note: For soft materials and sawing along the grain

The best combination of speed and pendulum action depends on the material you want to saw. We recommend you to make a trial cut on a waste piece in order to check the ideal settings.

6.4 Making cuts Important!

For exact, straight and long cuts, we recommend using a saw blade with a thickness of at least 1.5 mm.

Caution!

- Make sure that the On/Off switch (3) is not depressed. Only then should you connect the battery pack to the equipment.
- Do not switch on the cordless jigsaw until you have fitted a saw blade.
- Use only saw blades that are in perfect condition. Replace blunt, bent or cracked saw blades immediately.
- Place the saw foot flat on the workpiece you want to saw. Switch on the jigsaw.
- Allow the saw blade to accelerate until it reaches full speed. Then slowly move the saw blade along the cutting line. Exert only gentle pressure on the saw blade as you do so.
- When cutting metal, apply a suitable coolant along the line you want to cut.

6.5 Sawing out sections (Fig. 18)

Drill a 10 mm hole in the section you want to saw out. Insert the saw blade into this hole and start to saw out the required section.

6.6 Making parallel cuts (Fig. 19)

- Mount the parallel stop and adjust as required (see section 5.3).
- Observe the instructions in section 6.4.
- Cut as shown in Fig. 19.

6.7 Miter cuts (Fig. 12)

- Set the angle on the soleplate (see section 5.4).
- Observe the instructions in section 6.4.
- Cut as shown in Fig. 19.

6.7 LED lamp (Fig. 1/Item 4)

The LED lamp (4) can be used in poor lighting conditions to additionally illuminate the cutting position. The LED light (4) will come on automatically as soon as you press the On/Off switch (3).

7. Cleaning, maintenance and ordering of spare parts

Danger!

Always remove the battery pack before making adjustments to the equipment.

7.1 Cleaning

- Keep all safety devices, air vents and the motor housing free of dirt and dust as far as possible. Wipe the equipment with a clean cloth or blow it down with compressed air at low pressure. To do so, remove the adapter for chip extraction as well and blow it down with compressed air, with low pressure.
- We recommend that you clean the device immediately each time you have finished using it.
- Clean the equipment regularly with a moist cloth and some soft soap. Do not use cleaning agents or solvents; these could attack the plastic parts of the equipment. Ensure that no water can seep into the device. The ingress of water into an electric tool increases the risk of an electric shock.

7.2 Maintenance

There are no parts inside the equipment which require additional maintenance.

7.3 Ordering replacement parts:

Please quote the following data when ordering replacement parts:

- Type of machine
- Article number of the machine
- Identification number of the machine
- Replacement part number of the part required

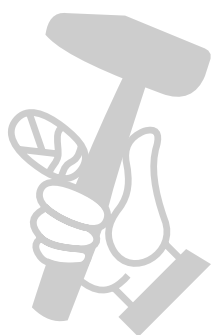
For our latest prices and information please go to www.Einhell-Service.com

8. Disposal and recycling

The equipment is supplied in packaging to prevent it from being damaged in transit. The raw materials in this packaging can be reused or recycled. The equipment and its accessories are made of various types of material, such as metal and plastic. Never place defective equipment in your household refuse. The equipment should be taken to a suitable collection center for proper disposal. If you do not know the whereabouts of such a collection point, you should ask in your local council offices.

9. Storage

Store the equipment and accessories in a dark and dry place at above freezing temperature. The ideal storage temperature is between 5 and 30 °C. Store the electric tool in its original packaging.



10. Charger indicator

Indicator status		Explanations and actions
Red LED	Green LED	
Off	Flashing	<p>Ready for use The charger is connected to the mains and is ready for use; there is no battery pack in the charger</p>
On	Off	<p>Charging The charger is charging the battery pack in quick charge mode. The charging times are shown directly on the charger. Important! The actual charging times may vary slightly from the stated charging times depending on the existing battery charge.</p>
Off	On	<p>The battery is charged and ready for use. The unit then changes over to gentle charging mode until the battery is fully charged. To do this, leave the rechargeable battery on the charger for approx. 15 minutes longer. Action: Take the battery pack out of the charger. Disconnect the charger from the mains supply.</p>
Flashing	Off	<p>Adapted charging The charger is in gentle charging mode. For safety reasons the charging is performed less quickly and takes more time. The reasons can be: - The rechargeable battery has not been used for a very long time. - The battery temperature is outside the ideal range. Action: Wait for the charging to be completed; you can still continue to charge the battery pack.</p>
Flashing	Flashing	<p>Fault Charging is no longer possible. The battery pack is defective. Action: Never charge a defective battery pack. Take the battery pack out of the charger.</p>
On	On	<p>Temperature fault The battery pack is too hot (e.g. due to direct sunshine) or too cold (below 0° C). Action: Remove the battery pack and keep it at room temperature (approx. 20° C) for one day .</p>



For EU countries only

Never place any electric power tools in your household refuse.

To comply with European Directive 2012/19/EC concerning old electric and electronic equipment and its implementation in national laws, old electric power tools have to be separated from other waste and disposed of in an environment-friendly fashion, e.g. by taking to a recycling depot.

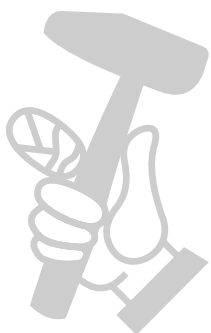
Recycling alternative to the return request:

As an alternative to returning the equipment to the manufacturer, the owner of the electrical equipment must make sure that the equipment is properly disposed of if he no longer wants to keep the equipment. The old equipment can be returned to a suitable collection point that will dispose of the equipment in accordance with the national recycling and waste disposal regulations. This does not apply to any accessories or aids without electrical components supplied with the old equipment.

Please note that batteries and lamps (e.g. light bulbs) must be removed from the tool before it is disposed of.

The reprinting or reproduction by any other means, in whole or in part, of documentation and papers accompanying products is permitted only with the express consent of the Einhell Germany AG.

Subject to technical changes



Service information

We have competent service partners in all countries named on the guarantee certificate whose contact details can also be found on the guarantee certificate. These partners will help you with all service requests such as repairs, spare and wearing part orders or the purchase of consumables.

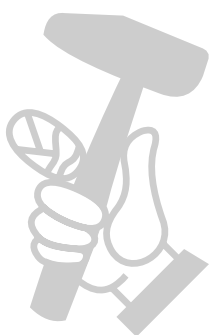
Please note that the following parts of this product are subject to normal or natural wear and that the following parts are therefore also required for use as consumables.

Category	Example
Wear parts*	Guide roller, Battery, Splinter guard
Consumables*	Saw blade
Missing parts	

* Not necessarily included in the scope of delivery!

In the effect of defects or faults, please register the problem on the internet at www.Einhell-Service.com. Please ensure that you provide a precise description of the problem and answer the following questions in all cases:

- Did the equipment work at all or was it defective from the beginning?
- Did you notice anything (symptom or defect) prior to the failure?
- What malfunction does the equipment have in your opinion (main symptom)? Describe this malfunction.



Warranty certificate

Dear Customer,

All of our products undergo strict quality checks to ensure that they reach you in perfect condition. In the unlikely event that this equipment develops a fault, please contact our service department at the address shown on this guarantee card. You can also contact us by telephone using the service number shown. Please note the following terms under which guarantee claims can be made:

1. These guarantee terms apply solely to consumers, i.e. natural persons, who do not want to use this product in connection with either their commercial or other self-employed activities. These guarantee terms regulate additional guarantee services which the undermentioned manufacturer promises to buyers of its new products in addition to their statutory rights of guarantee. Your statutory rights of guarantee are not affected by this guarantee. Our guarantee is free of charge to you.
2. The guarantee services cover only defects due to material or manufacturing faults on the new product which you have bought in the European Union from the undermentioned manufacturer and are limited to either the rectification of said defects or the replacement of the product, whichever we prefer. Please note that only equipment under the brand name "Professional" has been designed for use in commercial, trade or professional applications. For all other products the guarantee is invalidated if the equipment is used within the guarantee period in commercial, trade or industrial applications or for other equivalent activities.
3. Our guarantee does not cover:
 - Damage to the equipment caused by failure to comply with the installation/assembly instructions or by unprofessional installation; damage caused by failure to comply with the operating instructions (e.g. connection to the wrong mains voltage or current type); damage caused by failure to comply with the maintenance and safety regulations; damage caused by exposing the equipment to abnormal environmental conditions; damage resulting from poor care and maintenance.
 - Damage to the equipment caused by misuse or incorrect applications (e.g. overloading the equipment or using non-approved attachments or accessories); damage caused by foreign bodies (e.g. sand, stones, dust, ...) getting inside the equipment. Damage in transit; damage caused by force or external influences (e.g. by dropping the equipment).
 - Damage to the equipment or parts of the equipment which is owed to use-related, normal or otherwise natural wear. For example, batteries and battery packs are manufactured with a cycle limit for design-related reasons. Wear is negatively influenced in particular by load demands and charging speeds as well as exposure to heat, cold, vibration and impact.
4. The guarantee is valid for a period of 2 years starting from the purchase date of the equipment. Guarantee claims must be submitted before the end of the guarantee period and within two weeks of the defect being noticed. No guarantee claims will be accepted after the end of the guarantee period. The original guarantee period remains applicable to the equipment even if repairs are carried out or parts are replaced. In such cases, the work performed or parts fitted will not result in an extension of the guarantee period, and no new guarantee will become active for the work performed or for any replacement parts fitted. This also applies if on-site service is used.
5. To assert your guarantee claim, register the defective equipment at: www.Einhell-Service.com. You will need to provide proof of purchase of the new item of equipment. Equipment returned without such proof or without a rating plate are excluded from the guarantee services because of the lack of traceability. If the defect is covered by our guarantee, then either the item in question will be repaired immediately and returned to you or we will send you a new replacement.
6. If you have taken the equipment with you to a different EU country than where you bought it, we will arrange for a local service partner to provide the guarantee services. If you take the equipment outside the EU, the guarantee will not apply.

Of course, we are also happy to offer a chargeable repair service for any defects which are not covered or no longer covered by the scope of this guarantee. To take advantage of this service, please send the equipment to our service address. We draw attention to the restrictions of this guarantee concerning wear parts, consumables and missing parts as presented in the service information included in this operating manual.

Warrantor/ Service:

Einhell UK Ltd, Unit 10, 1st Floor, Champion's Business Park, Arrowse Brook Road, Upton, Wirral, CH49 0UQ