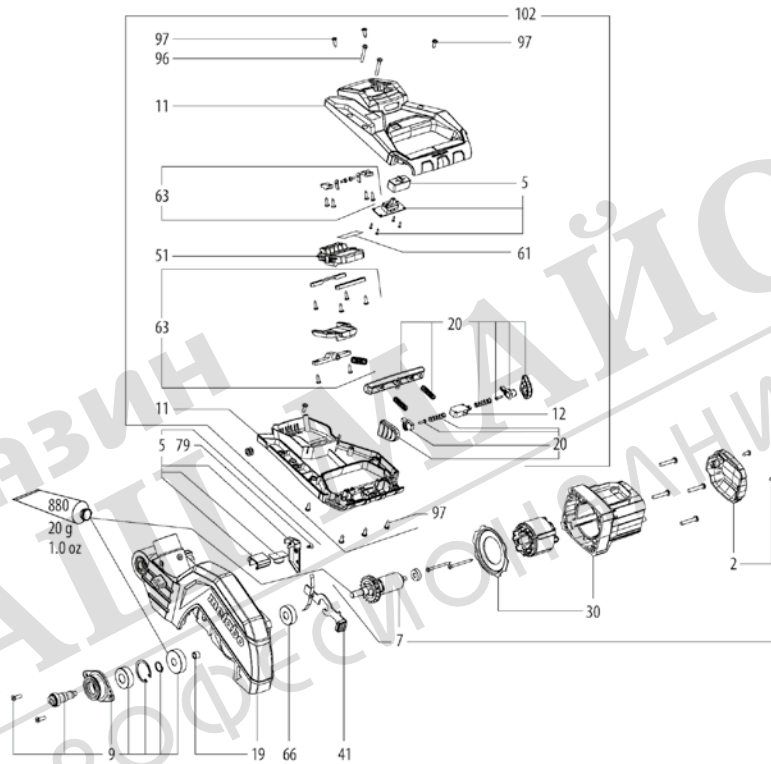


МАГАЗИН МАСТОРА[®]
БАШЕНАХРАНИ РЕШЕНИЯ
ПРОФЕССИОНАЛЬНЫЕ РЕШЕНИЯ



Position	Amount	Type number	Description	PG
2	1	343460240	Motor end cap	13
3	1	316060610	Flange compl.	21
5	1	343460970	LED compl.	30
7	1	316078650	Motor compl.	45
9	1	316075360	RACK GUIDER ASS'Y + GERA BOX ASS'Y	25
11	1	316076860	Carry handle comp.	22
12	1	343413080	Switch	16
14	1	316075370	Turning table comp.	36
15	1	316073870	base cpl.	33
16	1	316075380	Moving guard comp.	22
17	1	316075390	Foot compl.	11
19	1	339205000	Wheel guard compl.	32
20	2	316075410	Switch trigger compl.	12
23	1	315421130	Bracket compl.	25
24	1	315421060	Pivot compl.	33
25	1	316056740	Handle compl.	23
26	1	316075420	Detent cpl.	18
27	1	316073960	Handle compl.	15
28	1	315421110	Table side extension right	23
29	1	315421090	Table side extension left	22
30	1	316078660	Motor housing compl.	21
31	1	316075690	Workpiece holder compl.	22
32	1	316075440	Bevel clamping comp.	28
33	1	331050900	fence	29
34	1	315421070	Rear pivot	30
35	1	343457320	Table insert	11
37	1	316075450	Dust etraction kit compl.	13
38	1	343435780	Cover dust collector	14
39	1	343436260	Extraction funnel	11
41	1	316075460	Spindle lock compl.	11
42	1	316075470	Saw head lock comp.	11
43	1	316075480	Guide compl.	12
44	1	316061400	tipping axis compl.	23
46	2	344113030	Plug in buffer	11
47	1	339139090	cover	11
48	1	316056820	Set screw compl.	11
49	1	316075490	Scale set compl.	13
51	1	343090150	electronic unit, KGS 18 LTX BL 216	49
52	1	316075550	End stop cpl.	14
53	2	316075520	Bevel clamping comp.	14
54	1	316061540	Bearing compl.	14

Position	Amount	Type number	Description	PG
55	1	341722210	Stop screw	11
58	1	316075510	Tool holder col.	11
59	1	341113030	Handle	13
61	1	338080960	Rating plate	12
62	1	341113050	Star grip screw	11
63	1	316078680	clamp kit cpl.	24
66	1	143115730	Ball bearing	14
67	1	141132030	Hex nut	11
68	2	141150050	Washer	11
69	1	141150390	Lock washer	11
70	4	141113890	Cap screw	12
71	4	141150130	Washer	11
72	4	141155240	Lock washer	12
73	1	141130890	Hexagonal lock nut	12
74	1	141156200	Washer	11
75	1	141113840	Cap screw	12
76	2	141110590	Fillister head screw	11
79	1	141112180	Countersunk screw	11
80	2	141116780	Fillister head screw	11
84	2	141124510	HEX. SOCKET SET SCREW, FLAT PT M 6X8 VER	11
87	1	141150360	Lock washer	11
88	1	141110540	Fillister head screw	11
90	2	141124460	HEX. SOCKET SET SCREW, FLAT PT	11
91	2	141131010	Hexagonal nut	11
92	1	141123410	Grub screw	11
95	3	141124470	CROSS REC'D PAN HEAD TAP.SCREW ST 4,2X9,	11
96	2	141111430	Fillister head screw	12
97	10	141118730	Self-tap. fill. h. screw	11
100	2	141113220	Fillister head screw	11
101	2	141150350	Lock washer	11
102	1	316079610	Handle with Control Board cpl.	56
105	1	339147650	Sliding sheet	12
880	1	344130970	Grease 50Gr 1,8oz	22
1001	1	338511140	Diagram	

