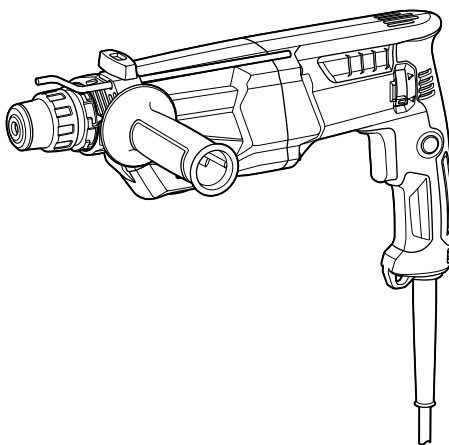
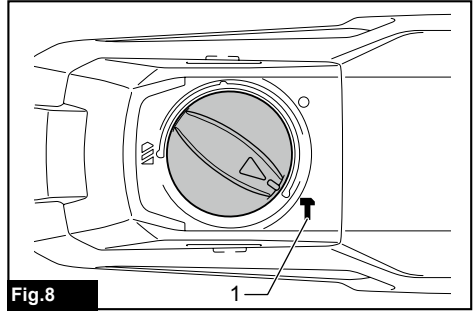
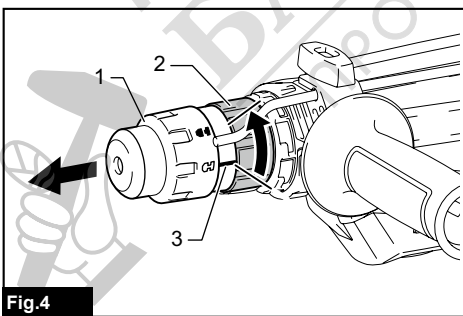
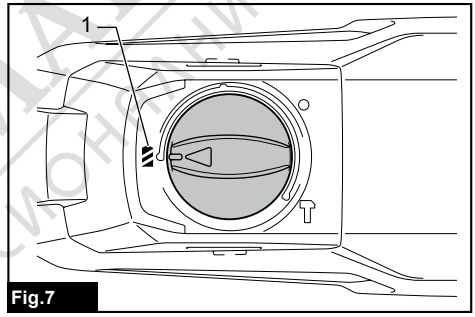
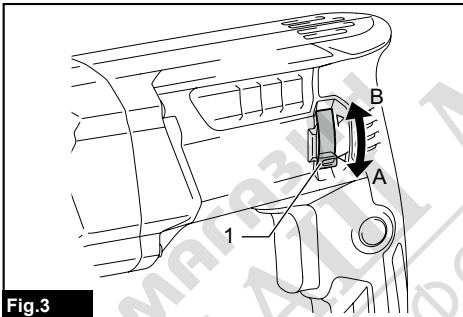
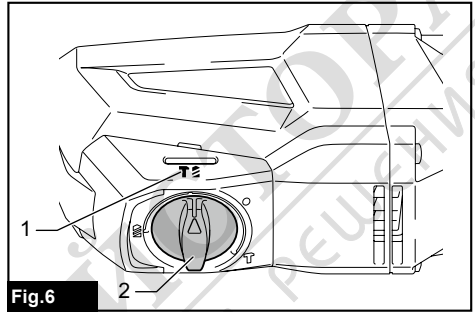
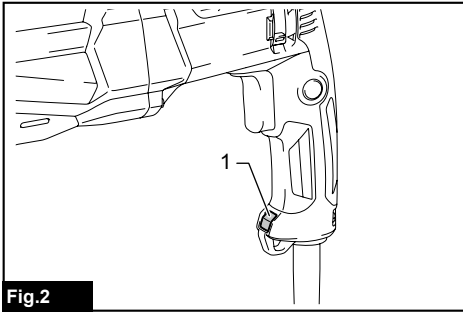
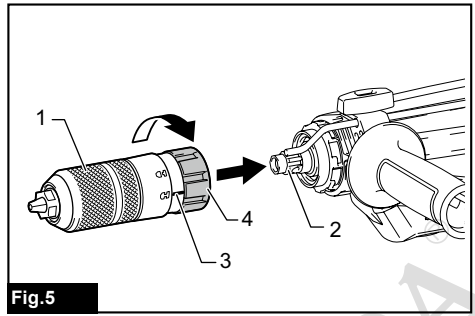
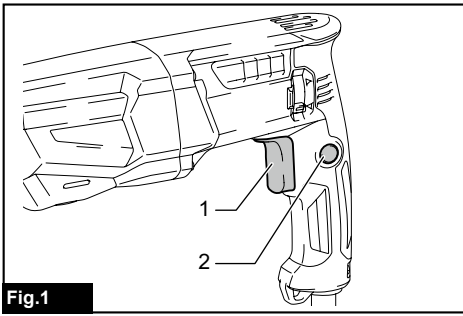




EN	Combination Hammer	INSTRUCTION MANUAL	7
FR	Marteau Combi	MANUEL D'INSTRUCTIONS	14
DE	Kombi-Hammer	BETRIEBSANLEITUNG	21
IT	Tassellatore combinato	ISTRUZIONI PER L'USO	29
NL	Combinatiehamer	GEBRUIKSAANWIJZING	37
ES	Martillo Rotativo Combinado	MANUAL DE INSTRUCCIONES	44
PT	Martelete Combinado	MANUAL DE INSTRUÇÕES	52
EL	Κρουστικό πιστολέτο	ΕΓΧΕΙΡΙΔΙΟ ΟΔΗΓΙΩΝ	59
TR	Kombine Darbeli Matkap	KULLANMA KILAVUZU	67

HR2670
HR2670FT





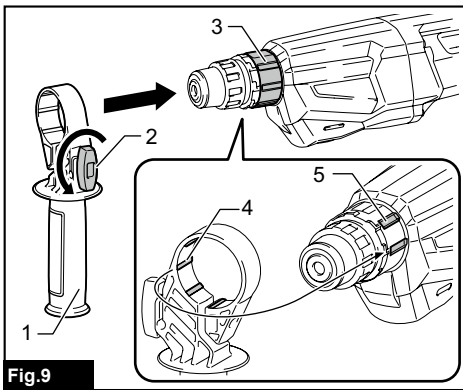


Fig.9

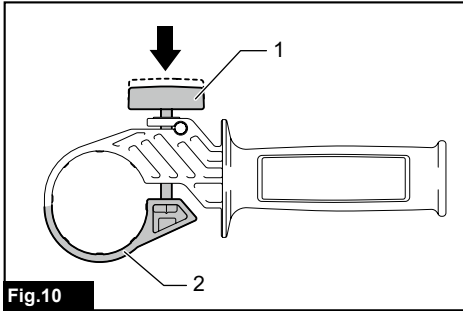


Fig.10

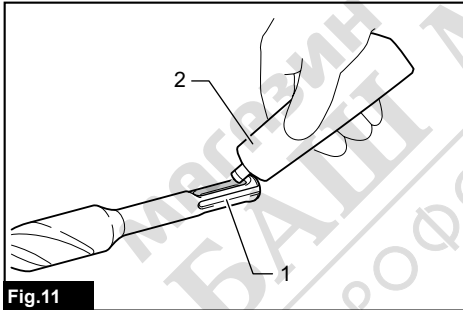


Fig.11

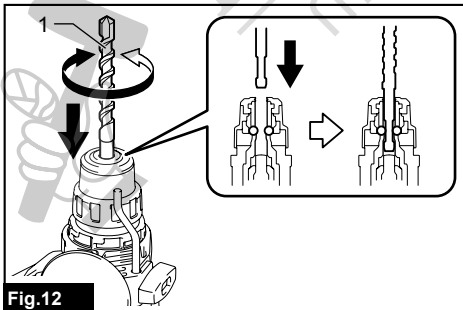


Fig.12

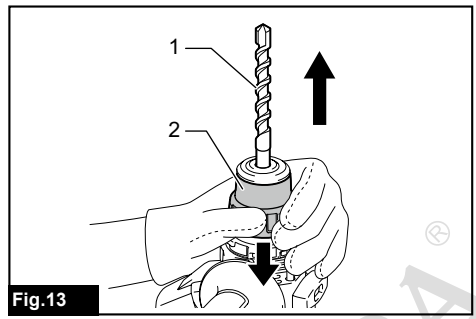


Fig.13

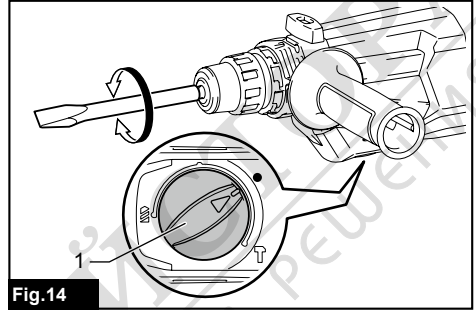


Fig.14

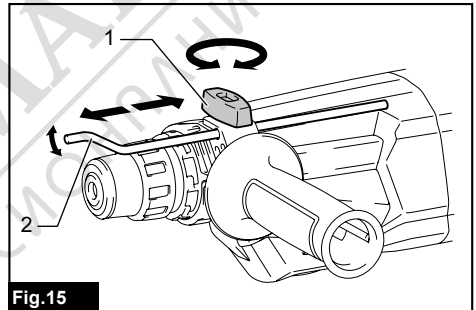


Fig.15

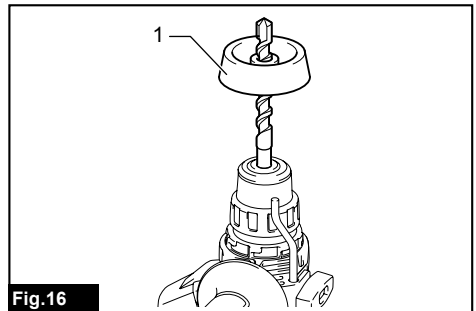
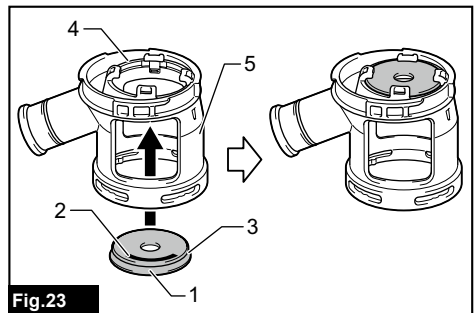
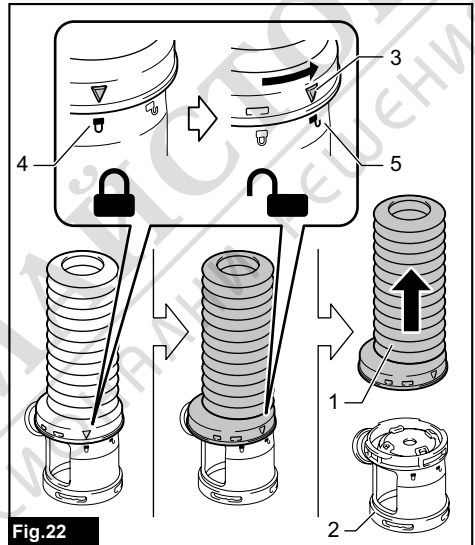
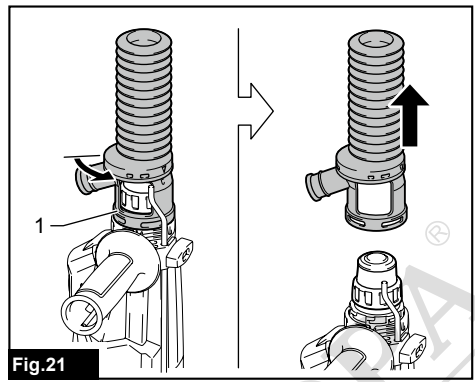
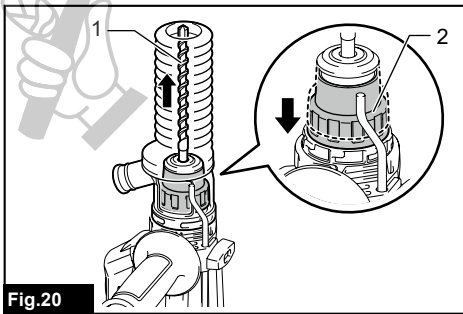
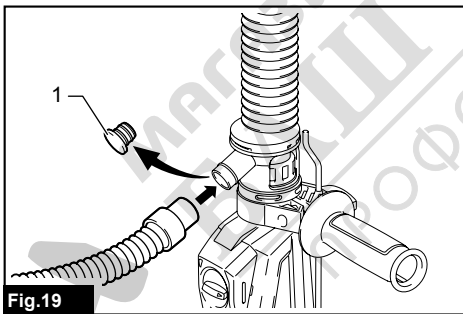
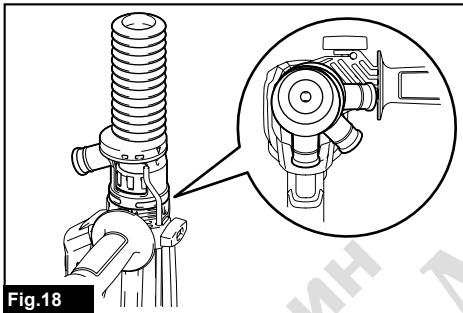
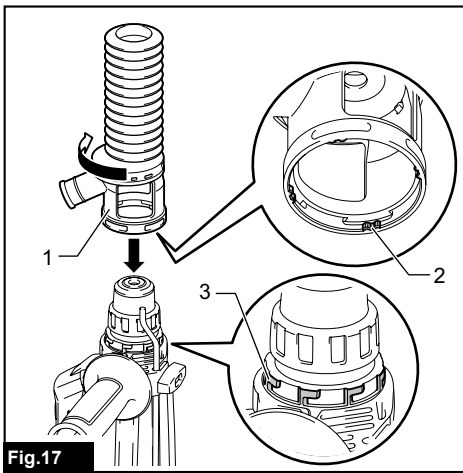


Fig.16



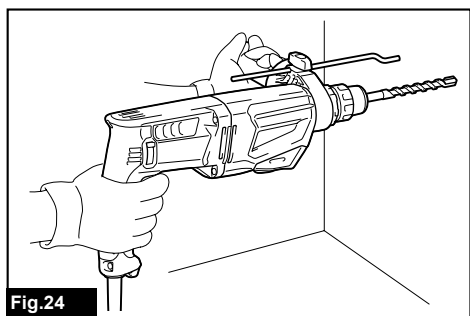


Fig.24

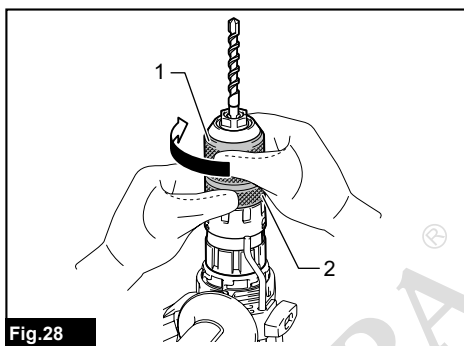


Fig.28

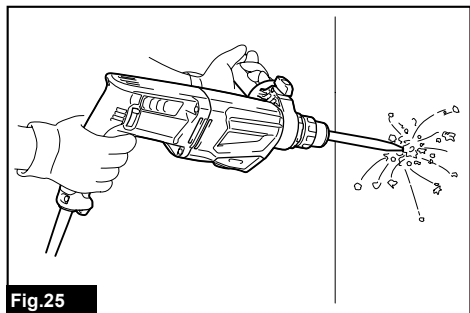


Fig.25

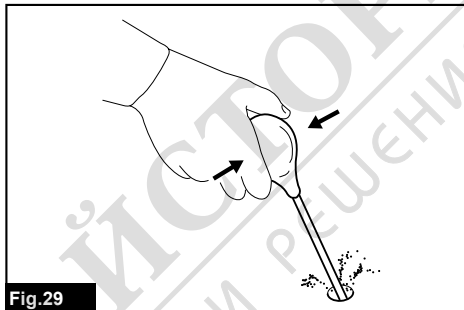


Fig.29

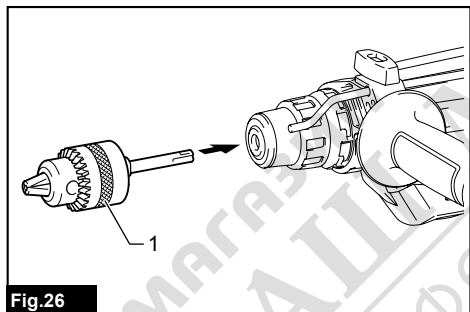


Fig.26

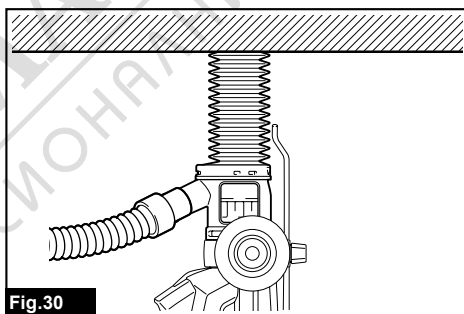


Fig.30

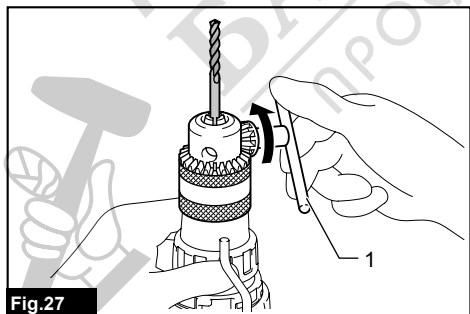


Fig.27

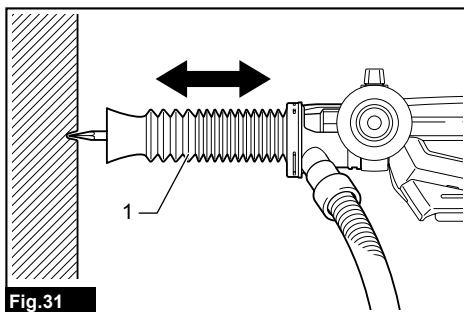


Fig.31

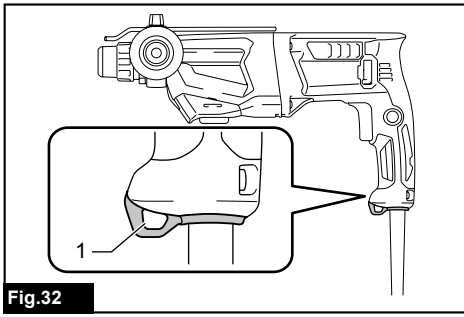


Fig.32



МАГАЗИН
БАШ МАЙСТОРА®
ПРОФЕСИОНАЛНИ РЕШЕНИЯ

SPECIFICATIONS

Model:		HR2670	HR2670FT
Capacities	Concrete	26 mm	
	Core bit	68 mm	
	Diamond core bit (dry type)	80 mm	
	Steel	13 mm	
	Wood	32 mm	
No load speed		0 - 1,500 min ⁻¹	
Blows per minute		0 - 4,500 min ⁻¹	
Overall length		362 mm	390 mm
Net weight		2.9 - 3.4 kg	3.1 - 3.3 kg
Safety class		□/II	

- Due to our continuing program of research and development, the specifications herein are subject to change without notice.
- Specifications may differ from country to country.
- The weight may differ depending on the attachment(s). The lightest and heaviest combinations, according to EPTA-Procedure 01/2014, are shown in the table.

Intended use

The tool is intended for hammer drilling and drilling in brick, concrete and stone as well as for chiselling work. It is also suitable for drilling without impact in wood, metal, ceramic and plastic.

Power supply

The tool should be connected only to a power supply of the same voltage as indicated on the nameplate, and can only be operated on single-phase AC supply. They are double-insulated and can, therefore, also be used from sockets without earth wire.

Noise

The typical A-weighted noise level determined according to EN62841-2-6:

Model HR2670

Sound pressure level (L_{pA}): 94 dB(A)

Sound power level (L_{WA}): 102 dB(A)

Uncertainty (K): 3 dB(A)

Model HR2670FT

Sound pressure level (L_{pA}): 94 dB(A)

Sound power level (L_{WA}): 102 dB(A)

Uncertainty (K): 3 dB(A)

NOTE: The declared noise emission value(s) has been measured in accordance with a standard test method and may be used for comparing one tool with another.

NOTE: The declared noise emission value(s) may also be used in a preliminary assessment of exposure.

⚠ WARNING: Wear ear protection.

⚠ WARNING: The noise emission during actual use of the power tool can differ from the declared value(s) depending on the ways in which the tool is used especially what kind of workpiece is processed.

⚠ WARNING: Be sure to identify safety measures to protect the operator that are based on an estimation of exposure in the actual conditions of use (taking account of all parts of the operating cycle such as the times when the tool is switched off and when it is running idle in addition to the trigger time).

Vibration

The following table shows the vibration total value (tri-axial vector sum) determined according to applicable standard.

Model HR2670

Work mode	Vibration emission	Uncertainty (K)	Applicable standard / Test condition
Hammer drilling into concrete ($a_{h, HD}$)	16.1 m/s ²	1.5 m/s ²	EN62841-2-6
Chiselling ($a_{h, CHCq}$)	14.2 m/s ²	1.5 m/s ²	EN62841-2-6

Model HR2670FT

Work mode	Vibration emission	Uncertainty (K)	Applicable standard / Test condition
Hammer drilling into concrete (a _{H, HD})	15.7 m/s ²	1.5 m/s ²	EN62841-2-6
Chiselling (a _{H, CHecq})	14.0 m/s ²	1.5 m/s ²	EN62841-2-6

NOTE: The declared vibration total value(s) has been measured in accordance with a standard test method and may be used for comparing one tool with another.

NOTE: The declared vibration total value(s) may also be used in a preliminary assessment of exposure.

⚠WARNING: The vibration emission during actual use of the power tool can differ from the declared value(s) depending on the ways in which the tool is used especially what kind of workpiece is processed.

⚠WARNING: Be sure to identify safety measures to protect the operator that are based on an estimation of exposure in the actual conditions of use (taking account of all parts of the operating cycle such as the times when the tool is switched off and when it is running idle in addition to the trigger time).

Declarations of Conformity

For European countries only

The Declarations of conformity are included in Annex A to this instruction manual.

SAFETY WARNINGS

General power tool safety warnings

⚠WARNING Read all safety warnings, instructions, illustrations and specifications provided with this power tool. Failure to follow all instructions listed below may result in electric shock, fire and/or serious injury.

Save all warnings and instructions for future reference.

The term "power tool" in the warnings refers to your mains-operated (corded) power tool or battery-operated (cordless) power tool.

ROTARY HAMMER SAFETY WARNINGS

Safety instructions for all operations

1. **Wear ear protectors.** Exposure to noise can cause hearing loss.
2. **Use auxiliary handle(s), if supplied with the tool.** Loss of control can cause personal injury.

3. **Hold the power tool by insulated gripping surfaces, when performing an operation where the cutting accessory may contact hidden wiring or its own cord.** Cutting accessory contacting a "live" wire may make exposed metal parts of the power tool "live" and could give the operator an electric shock.

Safety instructions when using long drill bits with rotary hammers

1. **Always start drilling at low speed and with the bit tip in contact with the workpiece.** At higher speeds, the bit is likely to bend if allowed to rotate freely without contacting the workpiece, resulting in personal injury.
2. **Apply pressure only in direct line with the bit and do not apply excessive pressure.** Bits can bend, causing breakage or loss of control, resulting in personal injury.

Additional safety warnings

1. **Wear a hard hat (safety helmet), safety glasses and/or face shield.** Ordinary eye or sun glasses are NOT safety glasses. It is also highly recommended that you wear a dust mask and thickly padded gloves.
2. **Be sure the bit is secured in place before operation.**
3. **Under normal operation, the tool is designed to produce vibration.** The screws can come loose easily, causing a breakdown or accident. Check tightness of screws carefully before operation.
4. **In cold weather or when the tool has not been used for a long time, let the tool warm up for a while by operating it under no load.** This will loosen up the lubrication. Without proper warm-up, hammering operation is difficult.
5. **Always be sure you have a firm footing.** Be sure no one is below when using the tool in high locations.
6. **Hold the tool firmly with both hands.**
7. **Keep hands away from moving parts.**
8. **Do not leave the tool running.** Operate the tool only when hand-held.
9. **Do not point the tool at any one in the area when operating.** The bit could fly out and injure someone seriously.
10. **Do not touch the bit, parts close to the bit, or workpiece immediately after operation;** they may be extremely hot and could burn your skin.
11. **Some material contains chemicals which may be toxic.** Take caution to prevent dust inhalation and skin contact. Follow material supplier safety data.
12. **Do not touch the power plug with wet hands.**
13. **Return the switch to the off position if the power is suddenly disconnected due to a power failure or unplugging.** It prevents the tool from operating unexpectedly when the power is restored.
14. **Always be sure that the tool is unplugged and the bit is removed before handing the tool to other person.**

15. Before operation, make sure that there is no buried object such as electric pipe, water pipe or gas pipe in the working area. Otherwise, the drill bit/chisel may touch them, resulting an electric shock, electrical leakage or gas leakage.

SAVE THESE INSTRUCTIONS.

⚠WARNING: DO NOT let comfort or familiarity with product (gained from repeated use) replace strict adherence to safety rules for the subject product. MISUSE or failure to follow the safety rules stated in this instruction manual may cause serious personal injury.

FUNCTIONAL DESCRIPTION

⚠CAUTION: Always be sure that the tool is switched off and unplugged before adjusting or checking function on the tool.

Switch action

⚠CAUTION: Before plugging in the tool, always check to see that the switch trigger actuates properly and returns to the "OFF" position when released.

To start the tool, simply pull the switch trigger. Tool speed is increased by increasing pressure on the switch trigger. Release the switch trigger to stop. For continuous operation, pull the switch trigger, push in the lock button, and release the switch trigger. To stop the tool from the locked position, pull the switch trigger fully, then release it.

► Fig.1: 1. Switch trigger 2. Lock button

Lighting up the front lamp

For HR2670FT only

⚠CAUTION: Do not look in the light or see the source of light directly.

To turn on the lamp, pull the switch trigger. Release the switch trigger to turn it off.

► Fig.2: 1. Lamp

NOTE: Use a dry cloth to wipe the dirt off the lens of the lamp. Be careful not to scratch the lens of the lamp, or it may lower the illumination.

Reversing switch action

⚠CAUTION: Always check the direction of rotation before operation.

⚠CAUTION: Use the reversing switch only after the tool comes to a complete stop. Changing the direction of rotation before the tool stops may damage the tool.

NOTICE: When changing the direction of rotation, be sure to fully set the reversing switch to A side or B side. Otherwise, when the switch trigger is pulled, the motor may not rotate or the tool may not work properly.

This tool has a reversing switch to change the direction of rotation. Move the reversing switch lever to the position A side for clockwise rotation or to the position B side for counterclockwise rotation.

► Fig.3: 1. Reversing switch lever



Changing the quick change chuck for SDS-plus

For HR2670FT only

The quick change chuck for SDS-plus can be easily exchanged for the quick change drill chuck.

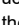


Removing the quick change chuck for SDS-plus

⚠CAUTION: Before removing the quick change chuck for SDS-plus, be sure to remove the bit.

Grasp the change cover of the quick change chuck for SDS-plus and turn in the direction of the arrow until the change cover line moves from the  symbol to the  symbol. Pull forcefully in the direction of the arrow.

► Fig.4: 1. Quick change chuck for SDS-plus
2. Change cover 3. Change cover line

Installing the quick change drill chuck

Check the line of the quick change drill chuck shows the  symbol. Grasp the change cover of the quick change drill chuck and set the line to the  symbol. Place the quick change drill chuck on the spindle of the tool. Grasp the change cover of the quick change drill chuck and turn the change cover line to the  symbol until a click can clearly be heard.


► Fig.5: 1. Quick change drill chuck 2. Spindle
3. Change cover line 4. Change cover

Selecting the action mode

NOTICE: Do not rotate the action mode changing knob when the tool is running. The tool will be damaged.


NOTICE: To avoid rapid wear on the mode change mechanism, be sure that the action mode changing knob is always positively located in one of the three action mode positions.

Rotation with hammering

For drilling in concrete, masonry, etc., rotate the action mode changing knob to the  symbol. Use a tungsten-carbide tipped bit (optional accessory).


► Fig.6: 1. Rotation with hammering 2. Action mode changing knob

Rotation only

For drilling in wood, metal or plastic materials, rotate the action mode changing knob to the  symbol. Use a twist drill bit or wood drill bit.

► **Fig.7:** 1. Rotation only

Hammering only

For chipping, scaling or demolition operations, rotate the action mode changing knob to the  symbol. Use a bull point, cold chisel, scaling chisel, etc.

► **Fig.8:** 1. Hammering only

Torque limiter

NOTICE: As soon as the torque limiter actuates, switch off the tool immediately. This will help prevent premature wear of the tool.

NOTICE: Drill bits such as hole saw, which tend to pinch or catch easily in the hole, are not appropriate for this tool. This is because they will cause the torque limiter to actuate too frequently.

The torque limiter will actuate when a certain torque level is reached. The motor will disengage from the output shaft. When this happens, the drill bit will stop turning.

ASSEMBLY

CAUTION: Always be sure that the tool is switched off and unplugged before carrying out any work on the tool.

Side grip (auxiliary handle)

CAUTION: Always use the side grip to ensure safe operation.

CAUTION: After installing or adjusting the side grip, make sure that the side grip is firmly secured with its retaining projections fully engaged by the positioning recesses on the gear housing.

To install the side grip, follow the steps below.

1. Loosen the thumb screw on the side grip. Then install the side grip over the barrel neck of the gear housing.
- **Fig.9:** 1. Side grip 2. Thumb screw 3. Barrel neck of the gear housing 4. Retaining projection 5. Positioning recess

The attachment ring can be enlarged by pressing the thumb screw down so that the ring is easily and securely engaged over the barrel neck of the gear housing.

► **Fig.10:** 1. Thumb screw 2. Attachment ring

2. Tighten the thumb screw to secure the grip at your desired angle.

Installing or removing drill bit

Grease

Clean the shank end of the bit and apply grease before installing the bit.

Coat the shank end of the bit beforehand with a small amount of grease (about 0.5 - 1 g). This chuck lubrication assures smooth action and longer service life.

► **Fig.11:** 1. Shank end 2. Grease

Insert the drill bit into the tool. Turn the drill bit and push it in until it engages.

After installing the drill bit, always make sure that the drill bit is securely held in place by trying to pull it out.

► **Fig.12:** 1. Drill bit


To remove the drill bit, push the chuck cover down all the way and pull the drill bit out.

► **Fig.13:** 1. Drill bit 2. Chuck cover

Chisel angle (when chipping, scaling or demolishing)

The chisel can be secured at the desired angle. To change the chisel angle, rotate the action mode changing knob to the O symbol. Turn the chisel to the desired angle.

► **Fig.14:** 1. Action mode changing knob

Rotate the action mode changing knob to the  symbol. Then make sure that the chisel is securely held in place by turning it slightly.

Depth gauge

The depth gauge is convenient for drilling holes of uniform depth. Loosen the thumb screw and adjust the depth gauge to the desired depth. After adjusting, tighten the thumb screw firmly.

► **Fig.15:** 1. Thumb screw 2. Depth gauge

NOTE: The depth gauge cannot be used at the position where the depth gauge touches against the gear housing/motor housing.

Dust cup

Optional accessory

Use the dust cup to prevent dust from falling over the tool and on yourself when performing overhead drilling operations. Attach the dust cup to the bit as shown in the figure. The size of bits which the dust cup can be attached to is as follows.

Model	Bit diameter
Dust cup 5	6 mm - 14.5 mm
Dust cup 9	12 mm - 16 mm

► **Fig.16:** 1. Dust cup

Dust cup set

Optional accessory

Installing the dust cup set

Before installing the dust cup set, remove the drill bit from the tool if installed.

1. Fully insert the dust cup set.
2. Engage the protrusions and grooves by turning the attachment unit as shown in the arrow until it sounds click.
- ▶ **Fig.17:** 1. Attachment unit 2. Groove 3. Protrusion
3. Install the drill bit.

NOTE: The dust cup set can be installed every 45 degrees.

▶ **Fig.18**

NOTE: If you connect a vacuum cleaner to the dust cup set, remove the dust cap before connecting it.

▶ **Fig.19:** 1. Dust cap

Removing the dust cup set

1. Push the chuck cover down all the way and pull a bit off.

▶ **Fig.20:** 1. Bit 2. Chuck cover

2. Turn the attachment unit as shown in the arrow to remove the dust cup set.

▶ **Fig.21:** 1. Attachment unit

NOTE: If the cap comes off from the dust cup set, place it back to the original position.

To place the cap back to the original position, follow the steps below.

1. Turn the \triangle symbol to the unlock position to remove the bellows.

▶ **Fig.22:** 1. Bellows 2. Attachment unit 3. \triangle symbol 4. Lock position 5. Unlock position

2. Set the cap back in place with its lettered side facing upwards.

▶ **Fig.23:** 1. Cap 2. Lettered side 3. Grooves 4. Lips of upper opening 5. Attachment unit

3. Be sure that the grooves around the cap well fit in the lips of the upper opening of the attachment unit.

OPERATION

CAUTION: Always use the side grip (auxiliary handle) and firmly hold the tool by both side grip and switch handle during operations.

CAUTION: Always make sure that the workpiece is secured before operation.

CAUTION: Do not pull the tool out forcibly even the bit gets stuck. Loss of control may cause injury.

▶ **Fig.24**

Hammer drilling operation

CAUTION: There is tremendous and sudden twisting force exerted on the tool/drill bit at the time of hole break-through, when the hole becomes clogged with chips and particles, or when striking reinforcing rods embedded in the concrete. **Always use the side grip (auxiliary handle) and firmly hold the tool by both side grip and switch handle during operations.** Failure to do so may result in the loss of control of the tool and potentially severe injury.

Set the action mode changing knob to the T symbol. Position the drill bit at the desired location for the hole, then pull the switch trigger. Do not force the tool. Light pressure gives best results. Keep the tool in position and prevent it from slipping away from the hole.

Do not apply more pressure when the hole becomes clogged with chips or particles. Instead, run the tool at an idle, then remove the drill bit partially from the hole. By repeating this several times, the hole will be cleaned out and normal drilling may be resumed.

NOTE: Eccentricity in the drill bit rotation may occur while operating the tool with no load. The tool automatically centers itself during operation. This does not affect the drilling precision.

Chipping/Scaling/Demolition

CAUTION: When using short-sized bits, there may be cases where the bit continues to strike even when it is away from the workpiece. In such situations, please turn the switch OFF and then continue work.

Set the action mode changing knob to the T symbol. Hold the tool firmly with both hands. Turn the tool on and apply slight pressure on the tool so that the tool will not bounce around, uncontrolled. Pressing very hard on the tool will not increase the efficiency.

▶ **Fig.25**

Drilling in wood or metal

CAUTION: Hold the tool firmly and exert care when the drill bit begins to break through the workpiece. There is a tremendous force exerted on the tool/drill bit at the time of hole break through.

CAUTION: A stuck drill bit can be removed simply by setting the reversing switch to reverse rotation in order to back out. However, the tool may back out abruptly if you do not hold it firmly.

CAUTION: Always secure workpieces in a vise or similar hold-down device.

NOTICE: Never use "rotation with hammering" when the drill chuck is installed on the tool. The drill chuck may be damaged. Also, the drill chuck will come off when reversing the tool.

NOTICE: Pressing excessively on the tool will not speed up the drilling. In fact, this excessive pressure will only serve to damage the tip of your drill bit, decrease the tool performance and shorten the service life of the tool.

Set the action mode changing knob to the  symbol.

For Model HR2670

Optional accessory

Use the drill chuck assembly. When installing it, refer to the section "Installing or removing drill bit".

► **Fig.26:** 1. Drill chuck assembly

To install the bit, place it in the chuck as far as it will go. Tighten the chuck by hand. Place the chuck key in each of the three holes and tighten clockwise. Be sure to tighten all three chuck holes evenly.

To remove the bit, turn the chuck key counterclockwise in just one hole, then loosen the chuck by hand.

► **Fig.27:** 1. Chuck key

For Model HR2670FT

Use the quick change drill chuck as standard equipment. When installing it, refer to "changing the quick change chuck for SDS-holes".


Hold the ring and turn the sleeve counterclockwise to open the chuck jaws. Place the bit in the chuck as far as it will go. Hold the ring firmly and turn the sleeve clockwise to tighten the chuck.

► **Fig.28:** 1. Sleeve 2. Ring

To remove the bit, hold the ring and turn the sleeve counterclockwise.

Diamond core drilling

NOTICE: If performing diamond core drilling operations using "rotation with hammering" action, the diamond core bit may be damaged.

When performing diamond core drilling operations, always set the action mode changing knob to the  position to use "rotation only" action.

Blow-out bulb

Optional accessory

After drilling the hole, use the blow-out bulb to clean the dust out of the hole.

► **Fig.29**

Using dust cup set

Optional accessory

Fit the dust cup set against the ceiling when operating the tool.

► **Fig.30**

NOTICE: Do not use the dust cup set when drilling in metal or similar. It may damage the dust cup set due to the heat produced by small metal dust or similar.

NOTICE: Do not install or remove the dust cup set with the drill bit installed in the tool. It may damage the dust cup set and cause dust leak.

NOTE: When using the bellows for chiselling, adjust the length by expanding and contracting the bellows according to the length of the bit.

► **Fig.31:** 1. Bellows for chiselling

Storage

CAUTION: Use the hanging hole for their intended purposes only. Using for unintended purpose may cause accident or personal injury.

The hook hole in the tool bottom is convenient for hanging the tool from a nail or screw on the wall. Store the tool out of the reach of children. Store the tool in a place not exposed to moisture or rain.

► **Fig.32:** 1. Hole

MAINTENANCE

CAUTION: Always be sure that the tool is switched off and unplugged before attempting to perform inspection or maintenance.

NOTICE: Never use gasoline, benzine, thinner, alcohol or the like. Discoloration, deformation or cracks may result.

To maintain product SAFETY and RELIABILITY, repairs, any other maintenance or adjustment should be performed by Makita Authorized or Factory Service Centers, always using Makita replacement parts.

OPTIONAL ACCESSORIES

CAUTION: These accessories or attachments are recommended for use with your Makita tool specified in this manual. The use of any other accessories or attachments might present a risk of injury to persons. Only use accessory or attachment for its stated purpose.

If you need any assistance for more details regarding these accessories, ask your local Makita Service Center.

- Carbide-tipped drill bits (SDS-Plus carbide-tipped bits)
- Core bit
- Bull point
- Diamond core bit

- Cold chisel
- Scaling chisel
- Grooving chisel
- Drill chuck assembly
- Drill chuck S13
- Chuck adapter
- Chuck key S13
- Keyless drill chuck
- Bit grease
- Depth gauge
- Blow-out bulb
- Dust cup
- Dust cup set
- Plastic carrying case

NOTE: Some items in the list may be included in the tool package as standard accessories. They may differ from country to country.



МАГАЗИН
БАШ МАЙСТОРА®
ПРОФЕСИОНАЛНИ РЕШЕНИЯ