



GE-HM 18/38 Li

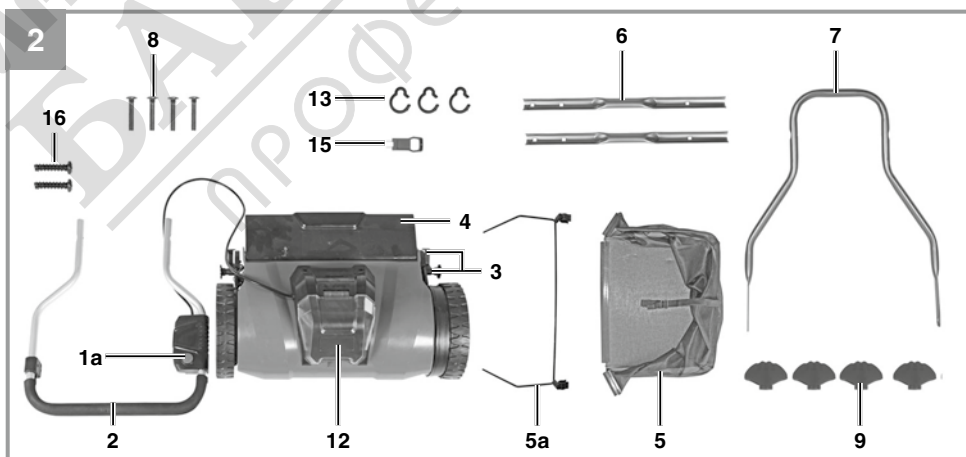
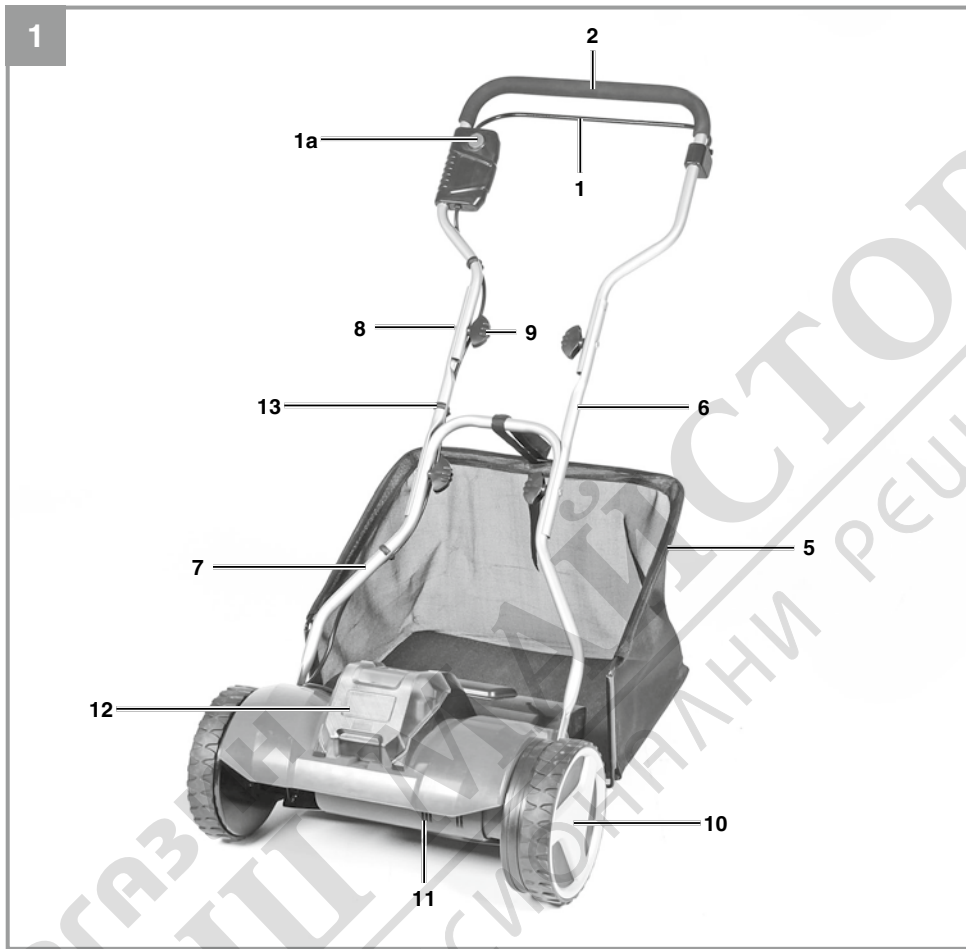
DE	Originalbetriebsanleitung Akku-Spindelmäher	FI	Alkuperäiskäyttöohje Akku-kelaleikkuri
EN	Original operating instructions Cordless cylinder lawn mower	HU	Eredeti használati utasítás Akkus-orsó kaszáló
FR	Instructions d'origine Tondeuse hélicoïdale sans fil	PT	Manual de instruções original Corta relva de cilindro sem fio
IT	Istruzioni per l'uso originali Tagliaerba elicoidale a batteria	PL	Instrukcja oryginalną Akumulatorowa kosiarka bębnowa
DA/ NO	Original betjeningsvejledning Akkudrevet lydsvag plæneklipper	ET	Originaalkasutusjuhend Akuga spindelniiduk
SV	Original-bruksanvisning Batteridriven cylindergräsklippare		
NL	Originele handleiding Accu spindelmaaier		
ES	Manual de instrucciones original Cortacésped helicoidal inalámbrico		

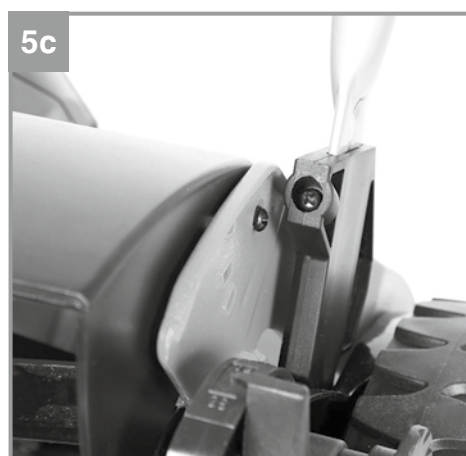
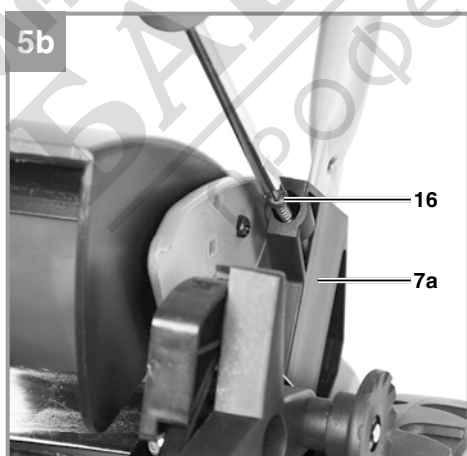
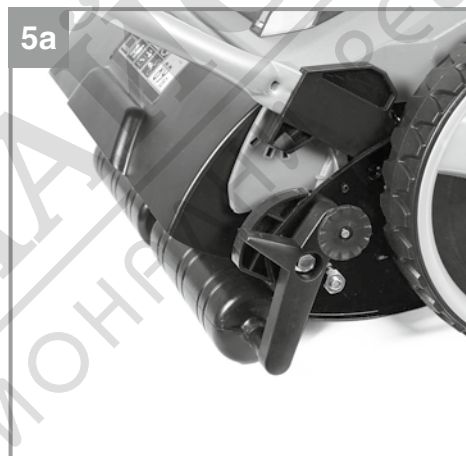
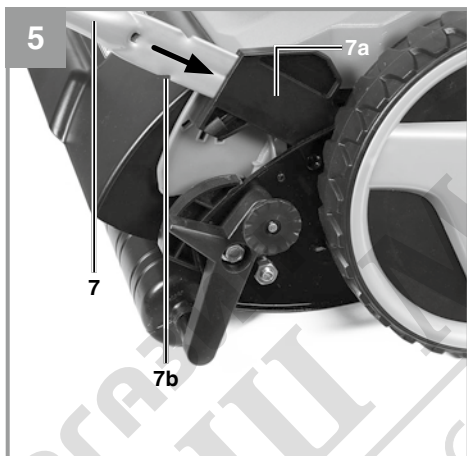
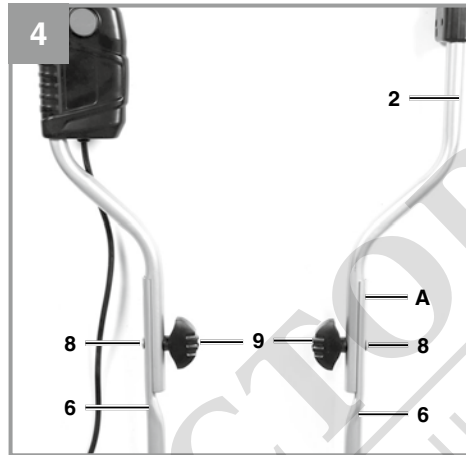
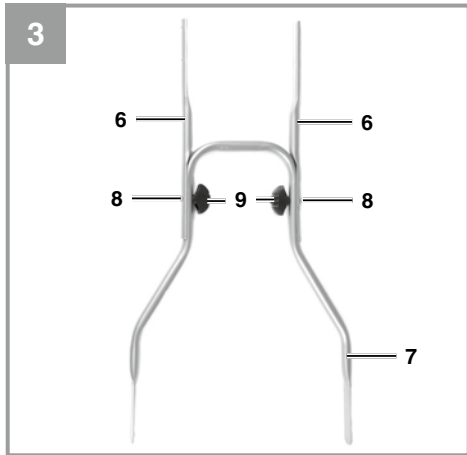
13

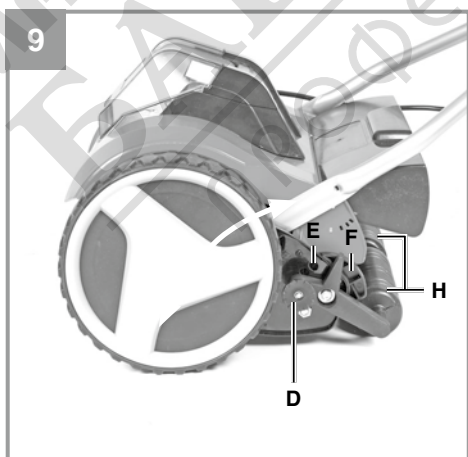
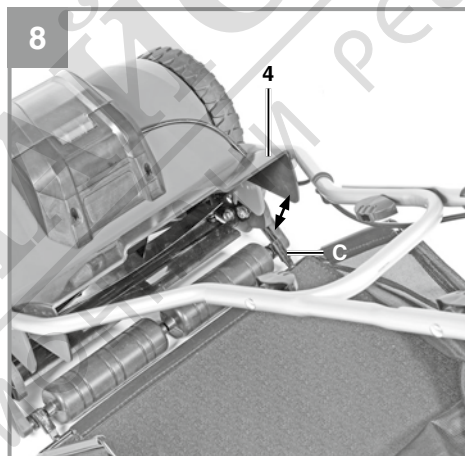
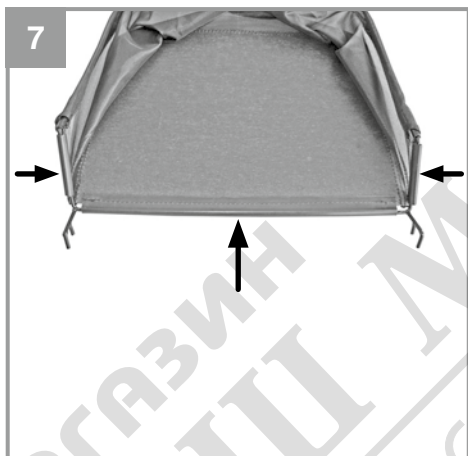
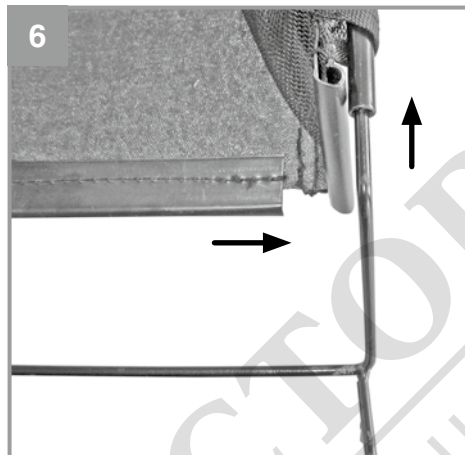
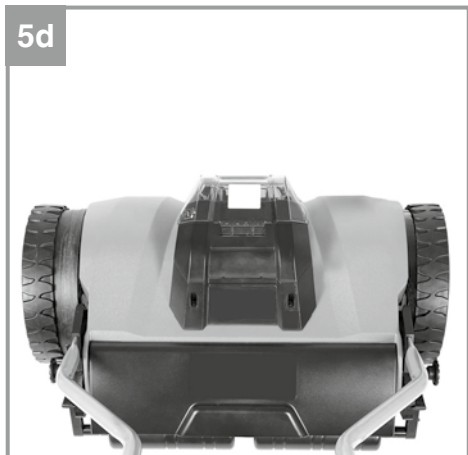


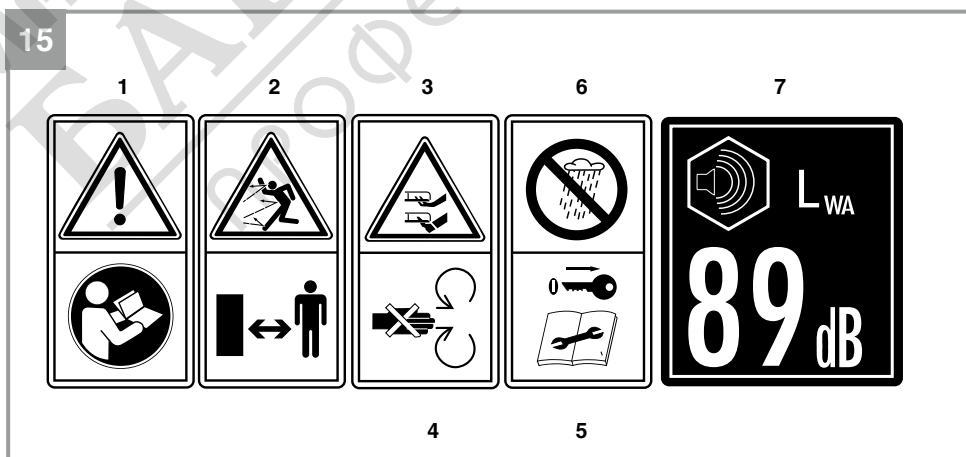
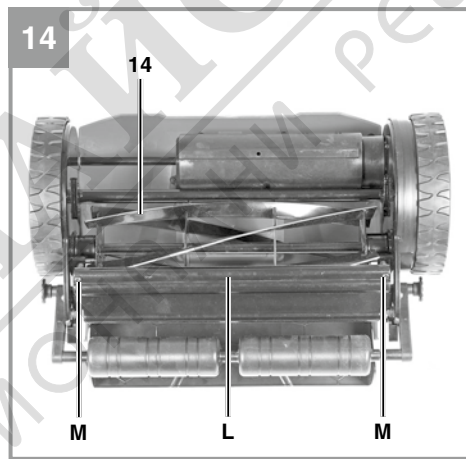
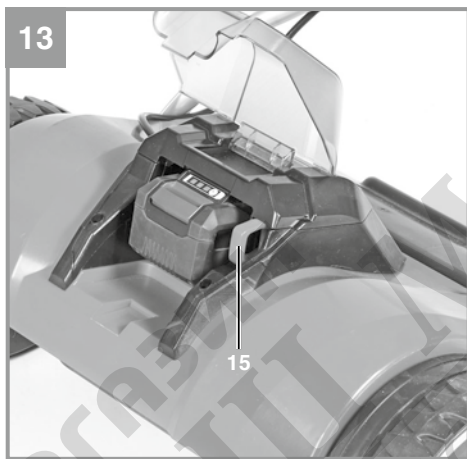
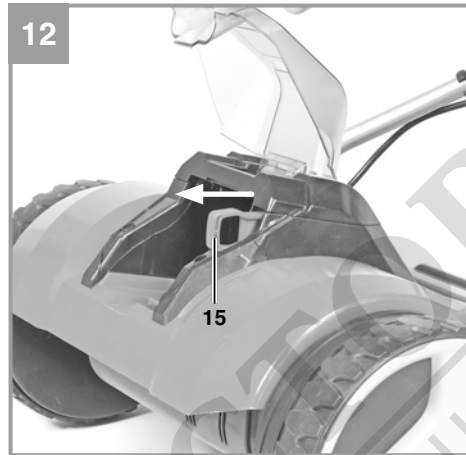
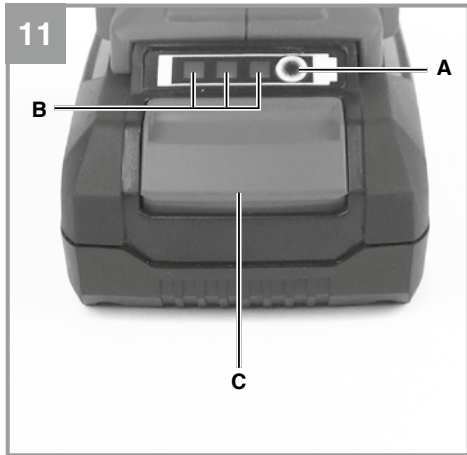
Art.-Nr.: 34.142.00

I.-Nr.: 21043









**Danger!**

When using the equipment, a few safety precautions must be observed to avoid injuries and damage. Please read the complete operating instructions and safety regulations with due care. Keep this manual in a safe place, so that the information is available at all times. If you give the equipment to any other person, hand over these operating instructions and safety regulations as well. We cannot accept any liability for damage or accidents which arise due to a failure to follow these instructions and the safety instructions.

This equipment is not allowed to be used by children. Children should be supervised so that they do not play with the equipment. Children are not allowed to carry out the cleaning or maintenance. This equipment is not allowed to be used by people with limited physical, sensory or mental capacities or by those with insufficient knowledge or experience unless they are supervised or instructed by a person who is responsible for them.

**1. Safety regulations**

The corresponding safety information can be found in the enclosed booklet.

**Warning!**

**Read all the safety information, instructions, illustrations and technical data provided on or with this power tool.** Failure to adhere to the following instructions may result in electric shock, fire and/or serious injury.

**Keep all the safety information and instructions in a safe place for future use.**

**Explanation of the symbols used (see Fig. 15)**

- 1 „Warning - Read the operating instructions to reduce the risk of injury“
- 2 Keep your distance!
3. Caution! - Sharp blades
- 4 Take care when the blades are rotating. Do not put your hands or feet into openings when the machine is running.
- 5 Pull out the safety plug before carrying out any maintenance work.
- 6 Protect the equipment from rain and damp conditions
- 7 Guaranteed sound power level

**2. Layout and items supplied****2.1 Layout (Fig. 1/2)**

- 1 Switching bar
- 1a Safety lock-off
- 2 Push bar top section
- 3 Cutting height adjustment facility
- 4 Ejector flap
- 5 Grass catch basket with holding belt
- 5a Bar frame
- 6 Push bar extension (2-piece)
- 7 Push bar bottom section
- 8 Screw M6x40 (4x)
- 9 Wing nut M6 (4x)
- 10 Wheel
- 11 Motor 18V d.c.
- 12 Battery cover
- 13 Cable clip (3x)
- 14 Mower spindle
- 15 Safety plug
- 16 Fastening screw (2x)

**2.2 Items supplied and unpacking (Fig. 2)**

Please check that the article is complete as specified in the scope of delivery. If parts are missing, please contact our service center or the sales outlet where you made your purchase at the latest within 5 working days after purchasing the product and upon presentation of a valid bill of purchase. Also, refer to the warranty table in the service information at the end of the operating instructions.

- Open the packaging and take out the equipment with care.
- Remove the packaging material and any packaging and/or transportation braces (if available).
- Check to see if all items are supplied.
- Inspect the equipment and accessories for transport damage.
- If possible, please keep the packaging until the end of the guarantee period.

**Danger!**

**The equipment and packaging material are not toys. Do not let children play with plastic bags, foils or small parts. There is a danger of swallowing or suffocating!**

**Items supplied**

- Mower housing with push bar top section and safety plug
- Grass box with holding belt
- Bar frame

- Push bar extension (2-piece)
- Push bar bottom
- Screw M6x40 (4x)
- Wing nut M6 (4x)
- Fastening screw (2x)
- Original operating instructions
- Safety information

### 3. Proper use

The lawn mower is intended for private use i.e. for use in home and gardening environments.

Private use of the lawn mower refers an annual operating time generally not exceeding that of 50 hours, during which time the equipment is primarily used to maintain small-scale, residential lawns and home/hobby gardens. Public facilities, sporting halls, and agricultural/forestry applications are excluded.

Important. Due to the high risk of bodily injury to the user, the lawn mower may not be used to trim bushes, hedges or shrubs, to cut scaling vegetation, planted roofs, or balcony-grown grass, to clean (suck up) dirt and debris off walkways, or to chop up tree or hedge clippings. Moreover, the lawn mower may not be used as a power cultivator to level out high areas such as molehills.

For safety reasons, the lawn mower may not be used as a drive unit for other work tools or toolkits of any kind, unless they have been expressly permitted by the manufacturer.

The equipment is to be used only for its prescribed purpose. Any other use is deemed to be a case of misuse. The user / operator and not the manufacturer will be liable for any damage or injuries of any kind caused as a result of this.

Please note that our equipment has not been designed for use in commercial, trade or industrial applications. Our warranty will be voided if the machine is used in commercial, trade or industrial businesses or for equivalent purposes.

### 4. Technical data

Voltage.....	18 V d.c.
Speed of mower spindle: .....	890 rpm
Protection type: .....	IPX1
Weight: .....	10.8 kg
Cutting width: .....	38 cm
Volume of catch bag: .....	45 liters
Sound pressure level $L_{pA}$ .....	72 dB(A)
Uncertainty $K_{pA}$ .....	3 dB (A)
Sound power level $L_{WA}$ : .....	86.38 dB(A)
Uncertainty $K_{WA}$ : .....	2.66 dB(A)
Guaranteed sound power level $L_{WA}$ : .....	89 dB(A)
Vibration at the handlebar: .....	$\leq 2.5 \text{ m/s}^2$
Uncertainty K: .....	1.5 $\text{m/s}^2$
Cutting height adjustment: .....	14-38 mm; 4 levels

#### Important!

The equipment is supplied without batteries and without a charger and is allowed to be used only with the lithium-ion batteries of the Power-X-Change series!

The lithium-ion batteries of the Power-X-Change series are allowed to be charged only with the Power-X charger.

#### Danger!

##### Sound and vibration

Sound and vibration values were measured in accordance with EN 62841.

##### Wear ear-muffs.

The impact of noise can cause damage to hearing.

Total vibration values (vector sum of three directions) determined in accordance with EN 62841.

The stated vibration emission levels and stated noise emission values were measured in accordance with a set of standardized criteria and can be used to compare one power tool with another.

The stated vibration emission levels and stated noise emission values can also be used to make an initial assessment of exposure.

**Warning:**

The vibration and noise emission levels may vary from the level specified during actual use, depending on the way in which the power tool is used, especially the type of workpiece it is used for.

**Limit the operating time!**

All stages of the operating cycle must be considered (for example, times in which the electric tools are switched off and times in which the tool is switched on but operates without load).

**Keep the noise emissions and vibrations to a minimum.**

- Only use appliances which are in perfect working order.
- Service and clean the appliance regularly.
- Adapt your working style to suit the appliance.
- Do not overload the appliance.
- Have the appliance serviced whenever necessary.
- Switch the appliance off when it is not in use.
- Wear protective gloves.

**Caution!****Residual risks**

**Even if you use this electric power tool in accordance with instructions, certain residual risks cannot be ruled out. The following hazards may arise in connection with the equipment's construction and layout:**

1. Lung damage if no suitable protective dust mask is used.
2. Damage to hearing if no suitable ear protection is used.

**5. Before starting the equipment**

The lawn mower is delivered partly assembled. The push bar and the grass basket must be assembled before using the lawn mower. Follow the instructions step by step and refer to the pictures when assembling.

**Important!** Required assembly parts (screws, cable guides, etc.) or functional parts (e.g. plugs, wrenches, etc.) can be found in the molded parts of the packaging or on the equipment.

**5.1 Assembling the push bar**

Fig. 3: Screw the push bar bottom section (7) to the ends of the push bar extensions (6) on which

there is only one square hole. Use two screws M6 x 40 mm (8) and two wing nuts M6 (9) for this purpose.

Fig. 4: Screw the push bar top section (2) to the ends of the push bar extensions (6) on which there are two square holes. Use two screws M6 x 40 mm (8) and two wing nuts M6 (9) for this purpose. Using the holes (A) will lengthen the push bar by approx. 5 cm.

Fig. 5/5a: Push both sides of the push bar bottom section (7) fully into the push bar holder (7a) (Fig. 5a).

Fig. 5b/5c: **Important!** The push bar bottom section must be completely in the push bar holder throughout the following assembly steps. Tilt the equipment carefully forwards. Screw the two fastening screws (16) into the screw mounts in the push bar holder on both sides. The fastening screw (16) has to be screwed into the "V"-shaped notch (Fig. 5/Item 7b) here. If screwed in properly, the push bar bottom section will be held securely in the push bar holder. Figures 5c and 5d show the push bar bottom section after it has been fitted.

Then fasten the power cable to the push bar (Fig. 1/Item 13) with the cable clips (Fig. 2/Item 13).

**5.2 Assembling the catch basket (Fig. 6 - 7)**

1. Push the bar frame into the grass catch basket tube.
2. Snap the side fastening lugs on the grass catch basket over the bar frame.
3. Snap the bottom fastening lug on the grass catch basket over the bar frame.

**5.3 Attaching the catch basket (Fig. 8)**

**Danger!** Before you fit the catch basket you must ensure that the motor is switched off and the mower spindle is not rotating.

Hook the grass catch basket in place on the left and right side of the roller (Item C). The grass box must also be secured to the push bar using the retainer belt (see Fig. 1). Adjust the retainer belt according to your requirements.

The ejector flap (Item 4) can be adjusted to a number of different settings for the ejection of the grass to the catch basket.

## 5.4 Adjusting the cutting height

### Warning!

Adjust the cutting height only when the motor is switched off and the safety plug has been pulled.

Fig. 9: Four different cutting heights can be set between a range of 14 – 38 mm. To do so, pull out the spring-loaded bolts (D) on both sides and then engage them in the required holes (E). The set cutting height can be read off the scale (F).

### Note:

- The roller (H) must be aligned parallel with the lawn mower (spring-loaded bolts at same height (D)).
- Set the cutting height so that the counter blade (Fig. 14/Item L) does not touch the ground if there is any uneven ground.

Before you begin to mow, check to ensure that the blade is not blunt and that none of the fasteners are damaged. To prevent any imbalance, replace blunt and/or damaged blades. To carry out this check, first switch off the motor and pull out the safety plug.

### Charging the battery (Fig. 10)

1. Take the battery pack out of the equipment. To do so, press the pushlock button (Fig. 11/Item C).
2. Check that your mains voltage is the same as that marked on the rating plate of the battery charger. Insert the power plug of the charger into the socket outlet. The green LED will then begin to flash.
3. Insert the battery pack into the charger.
4. In the section entitled „Charger indicator“ you will find a table with an explanation of the LED indicator on the charger.

The battery pack can become a little warm during the charging. This is normal.

If the battery pack fails to charge, check:

- whether there is voltage at the socket outlet
- whether there is good contact at the charging contacts

If the battery pack still fails to charge, send

- the charger
  - and the battery pack
- to our customer service center.

**To ensure that items are properly packaged and delivered when you send them to us, please contact our customer service or the point of sale at which the equipment was purchased.**

**When shipping or disposing of batteries and cordless tools, always ensure that they are packed individually in plastic bags to prevent short circuits and fires.**

To ensure that the battery pack provides long service, you should take care to recharge it promptly. You must recharge the battery pack when you notice that the performance of the device drops. Never allow the battery pack to become fully discharged. This will cause it to develop a defect.

### Battery capacity indicator (Fig. 11)

Press the battery charge level indicator switch (A). The battery charge level indicator (B) will indicate the charge level of the battery by means of 3 LEDs.

#### All 3 LEDs are lit:

The battery is fully charged.

#### 2 or 1 LED(s) are lit:

The battery has an adequate remaining charge.

#### 1 LED flashes:

The battery is empty, recharge the battery.

#### All LEDs blink:

The battery temperature is too low. Remove the battery from the equipment, keep it at room temperature for one day. If the fault reoccurs, this means that the rechargeable battery has undergone exhaustive discharge and is defective. Remove the battery from the equipment. Never use or charge a defective battery.

### Fitting the battery (Fig. 12-13)

**Note:** For safety reasons the battery cover is self-closing.

- Open the battery cover and remove the safety plug (15).
- Insert the rechargeable battery and then insert the safety plug in the mount again.
- Close the battery cover.

## 6. Operation

The lawn mower can be used with a rechargeable battery or used in manual mode without a rechargeable battery.

### Caution!

The lawn mower is equipped with a safety switch to prevent unauthorized use. Directly before starting up the lawn mower insert the safety plug (Fig. 13) and remove the safety plug again when interrupting or terminating your work.

### Caution!

To prevent the equipment switching on accidentally, the lawn mower is equipped with a safety switch (Fig. 1/Item 1a) which must be pressed before the switching bar (1) can be activated. The lawn mower switches itself off when the switching bar is released. Repeat this process several times so that you are sure that the machine functions properly. Before you perform any repair or maintenance work on the equipment, ensure that the blade is not rotating and that the safety plug is disconnected.

**Warning! Never open the chute flap when the grass bag has been detached (to be emptied) and the engine is still running. A rotating blade can cause serious injuries!**

Always carefully fasten the chute flap and grass basket. Switch off the engine before emptying the grass basket.

Always ensure that a safe distance (provided by the long handles) is maintained between the mower spindle and the user. Be especially careful when mowing and changing direction on slopes and inclines. Maintain a solid footing and wear sturdy, non-slip footwear and long trousers.

Always mow along the incline (not up and down). For safety reasons, the lawn mower may not be used to mow inclines whose gradient exceeds 15 degrees.

Use special caution when backing up and pulling the lawn mower. Tripping hazard!

### Tips for proper mowing

It is recommended that you overlap the mowing swaths.

Only use a sharp blade that is in good condition. This will prevent the grass blades from fraying

and the lawn from turning yellow.

Try to mow in straight lines for a nice, clean look.

The swaths should overlap each other by a few centimeters in order to avoid stripes.

For a well-groomed look, we recommend a grass height of 3 - 4 cm after mowing for normal home lawns and 1.5 - 2.5 cm for ornamental lawns. The use of a cylinder lawn mower can help achieve improved cutting results specifically on ornamental lawns. Mow your lawn 1 - 2 times a week. We recommend that normal home lawns should be mowed when the grass is 6 - 7 cm high, ornamental lawns when the grass is 3 - 4 cm high. Irrespective of the recommended cutting height, the lawn should only be reduced by one third of the current height each time it is mowed. Before the onset of the first frost, the lawn should be reduced to its recommended height. Only ever mow the lawn when it is as dry as possible in order to achieve perfect cutting results. To ensure that it can be cut cleanly, the grass should never be over 10 cm high. The mower has a freewheeling facility for when it is pulled back.

The operating time of the rechargeable batteries and therefore the area in square meters that can be covered with a single battery charge is largely dependent on the state of the grass (e.g. density, moisture, height, cutting height, etc.) and the mowing speed (walking speed). To adjust the area coverage to your individual requirements, it is recommended that you mow the lawn more often, with a higher cutting height and at an appropriate speed. Frequently turning the equipment on and off while mowing will also reduce the amount of area that you can cover. If the operating time of the rechargeable batteries (area coverage) is still unsatisfactory in spite of the above measures, you can remedy the problem by using rechargeable batteries with a larger capacity (Ah).

Keep the underside of the mower housing clean and remove grass build-up. Deposits not only make it more difficult to start the mower; they decrease the quality of the cut and make it harder for the equipment to bag the grass.

Always mow along inclines (not up and down).

You can prevent the lawn mower from slipping down by holding a position at an angle upwards. Select the cutting height according to the length of the grass. Make several passes so that no more than 4cm of grass are cut at one time.

Switch off the motor before doing any checks on the blade. Keep in mind that the blade continues to rotate for a few seconds after the motor has been switched off. Never attempt to manually stop the blade. Regularly check to see if the blade is securely attached, is in good condition and is sharp. If the contrary is the case, sharpen the blade or replace it. In the event that the blade strikes an object, immediately switch off the lawn mower and wait for the blade to come to a complete stop. Then inspect the condition of the blade and the blade mount. Replace any parts that are damaged.

Do not use your hands or feet to remove clippings in or on the mower housing, but instead use suitable tools such as a brush or a hand broom.

Reattach the catch bag only when the motor is switched off, the safety plug has been pulled out and the blade has stopped.

## 7. Cleaning, maintenance and ordering of spare parts

### Hazard!

Always pull out the battery pack before starting any cleaning work.

### 7.1 Cleaning

- Keep all safety devices, air vents and the motor housing free of dirt and dust as far as possible. Wipe the equipment with a clean cloth or blow it with compressed air at low pressure.
- We recommend that you clean the device immediately each time you have finished using it.
- Clean the equipment regularly with a moist cloth and some soft soap. Do not use cleaning agents or solvents; these could attack the plastic parts of the equipment. Ensure that no water can seep into the device. The ingress of water into an electric tool increases the risk of an electric shock.

### 7.2 Maintenance

- Do not clean the lawn mower with running water, particularly with high-pressure water. Ensure that all mounting components (i.e. screws, bolts, nuts etc.) are always tightened so that the equipment can be safely operated at all times.

- Frequently check the grass catch assembly for signs of wear.
- Replace excessively worn or damaged parts immediately.
- Store your lawn mower in a dry room.
- In order to ensure that you enjoy the equipment for many years to come, all screwed parts, as well as the wheels and axles, should be cleaned and lubricated.
- Keeping your lawn mower in good condition not only ensures a long lifespan and high performance, but also enables the equipment to thoroughly cut your grass with minimal effort. For best results, clean the lawn mower with a brush or rag. Do not use any solvents or water to remove dirt.
- The blades on the mower spindle are subject to more wear and tear than any other component of the unit. Check the condition of the blades on the mower spindle at regular intervals and make sure that the mower spindle is tightly fastened.
- If, despite good care, the blades on the mower spindle have become blunt after a good number of years and need replacing, please contact our customer service.
- There are no other parts inside the equipment which require maintenance.

### 7.3 Adjusting the counter blade (Fig. 14)

**Warning!** Wear safety gloves.

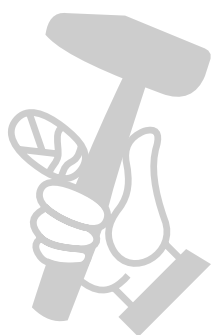
#### Note:

The counter blade (L) is pre-set at the factory. Re-adjustment might be required after prolonged use. Only adjust it if:

- The cutting results appear rough and uneven and some blades of grass are not cut (the distance between the counter blade and mower spindle is too large)
- The equipment is heavy or even impossible to push
- The mower spindle makes loud noises or does not rotate because it rubs or catches against the counter blade

#### Adjusting:

- Turn the socket head screw (M) clockwise = this reduces the distance between the counter blade and mower spindle
- Turn the socket head screw (M) counterclockwise = this increases the distance between the counter blade and mower spindle



1. Slacken both socket head screws (M) by turning them counterclockwise.
2. Turn one wheel forwards, which makes the mower spindle turn. At the same time, tighten one of the two socket head screws (M) enough so that the mower spindle touches the counter blade without making hardly a sound.
3. Turn the socket head screw (M) back again so that the mower spindle can only just rotate freely.
4. Repeat points 2 and 3 with the second socket head screw (M).

#### **Important!**

The socket head screws (M) on both sides of the mower must be adjusted evenly such that the mower spindle (14) can only just rotate freely. The counter blade (L) is correctly adjusted if a piece of paper placed between the blades on the mower spindle (14) and the counter blade will be cut along its full length when you turn one of the wheels forwards by hand without force.

At the end of the season, perform a general inspection of the lawn mower and remove any grass and dirt which may have accumulated. At the start of each season, ensure that you check the condition of the blade. If repairs are necessary, please contact our customer service center. Use only genuine spare parts.

#### **7.4 Ordering replacement parts:**

Please quote the following data when ordering replacement parts:

- Type of machine
- Article number of the machine
- Identification number of the machine
- Replacement part number of the part required

For our latest prices and information please go to [www.Einhell-Service.com](http://www.Einhell-Service.com)

## **8. Storage and transport**

Remove the rechargeable battery/batteries.

#### **Storage**

Store the equipment and accessories out of children's reach in a dark and dry place at above freezing temperature. The ideal storage temperature is between 5 and 30 °C. Store the machine in its original packaging.

#### **Transport**

- Switch the machine off and pull out the safety plug before transporting it.
- Fit the shipping protectors, if any.
- Protect the machine from damage and the strong vibrations that can occur particularly when transporting in vehicles.
- Secure the machine against slipping and tipping over.

## **9. Disposal and recycling**

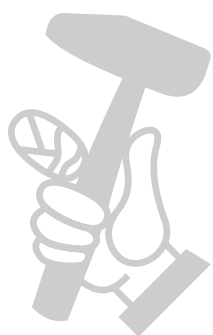
The equipment is supplied in packaging to prevent it from being damaged in transit. The raw materials in this packaging can be reused or recycled. The equipment and its accessories are made of various types of material, such as metal and plastic. Never place defective equipment in your household refuse. The equipment should be taken to a suitable collection center for proper disposal. If you do not know the whereabouts of such a collection point, you should ask in your local council offices.

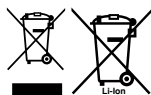
## 10. Charger indicator

Indicator status		Explanations and actions
Red LED	Green LED	
Off	Flashing	<p><b>Ready for use</b> The charger is connected to the mains and is ready for use; there is no battery pack in the charger</p>
On	Off	<p><b>Charging</b> The charger is charging the battery pack in quick charge mode. The charging times are shown directly on the charger. Important! The actual charging times may vary slightly from the stated charging times depending on the existing battery charge.</p>
Off	On	<p><b>The battery is charged and ready for use. (READY TO GO)</b> The unit then changes over to gentle charging mode until the battery is fully charged. To do this, leave the rechargeable battery on the charger for approx. 15 minutes longer. <b>Action:</b> Take the battery pack out of the charger. Disconnect the charger from the mains supply.</p>
Flashing	Off	<p><b>Adapted charging</b> The charger is in gentle charging mode. For safety reasons the charging is performed less quickly and takes more time. The reasons can be: - The rechargeable battery has not been used for a very long time. - The battery temperature is outside the ideal range. <b>Action:</b> Wait for the charging to be completed; you can still continue to charge the battery pack.</p>
Flashing	Flashing	<p><b>Fault</b> Charging is no longer possible. The battery pack is defective. <b>Action:</b> Never charge a defective battery pack. Take the battery pack out of the charger.</p>
On	On	<p><b>Temperature fault</b> The battery pack is too hot (e.g. due to direct sunshine) or too cold (below 0° C). <b>Action:</b> Remove the battery pack and keep it at room temperature (approx. 20° C) for one day .</p>

## 11. Troubleshooting

Fault	Possible causes	Remedies
The motor fails to start	<ul style="list-style-type: none"> <li>a) Motor terminals disconnected</li> <li>b) The mower is standing in high grass</li> <li>c) The mower housing is clogged</li> <li>d) Safety switch is not inserted</li> <li>e) Battery is not correctly inserted</li> </ul>	<ul style="list-style-type: none"> <li>a) Have repaired by the Customer Service Center</li> <li>b) Start in low grass or on an area that has already been mowed; change the cutting height if necessary</li> <li>c) Clean the housing so that the blade moves freely</li> <li>d) Insert safety switch (see 6.)</li> <li>e) Remove the battery and reinsert (see 5.)</li> </ul>
The motor performance drops	<ul style="list-style-type: none"> <li>a) The grass is too high or too damp</li> <li>b) The mower housing is clogged</li> <li>c) The blade is severely worn</li> <li>d) Battery performance decreasing</li> </ul>	<ul style="list-style-type: none"> <li>a) Correct the cutting height</li> <li>b) Clean the housing</li> <li>c) Replace the mower spindle</li> <li>d) Check the battery performance and charge the battery if necessary (see 5.)</li> </ul>
Cutting is irregular	<ul style="list-style-type: none"> <li>a) The blade is worn</li> <li>b) Wrong cutting height</li> <li>c) The distance between the counter blade and mower spindle is too large</li> </ul>	<ul style="list-style-type: none"> <li>a) Resharpener the blades or replace the mower spindle</li> <li>b) Correct the cutting height</li> <li>c) Adjust the distance (see 7.3)</li> </ul>
The mower spindle does not turn	<ul style="list-style-type: none"> <li>a) The counter blade and mower spindle are touching each other</li> </ul>	<ul style="list-style-type: none"> <li>a) Adjust the distance (see 7.3)</li> </ul>
The push bar does not stay held in the push bar holder	<ul style="list-style-type: none"> <li>a) The fastening screws are not screwed into the V-shaped notch in the push bar bottom section</li> </ul>	<ul style="list-style-type: none"> <li>a) Remove the fastening screws and repeat the assembly procedure (section 5.1/Fig. 5 - 5d)</li> </ul>



**Disposal**

Power tools, rechargeable batteries, accessories and packaging should be sorted for environmental-friendly recycling.

Do not dispose of power tools and batteries/rechargeable batteries into household waste!

**Only for EU countries:**

According to the Directive 2012/19/EU on waste electrical and electronic equipment and its transposition into national law, power tools that are no longer usable, and, according to the Directive 2006/66/EC, defective or drained batteries must be collected separately and disposed of in an environmentally correct manner.

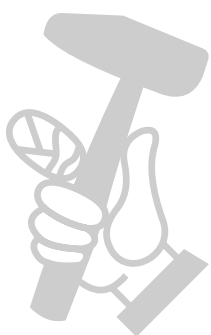
If disposed incorrectly, waste electrical and electronic equipment may have harmful effects on the environment and human health, due to the potential presence of hazardous substances.

**Only for United Kingdom:**

According to The Waste Electrical and Electronic Equipment Regulations 2013 (SI 2013/3113) (as amended) and the Waste Batteries and Accumulators Regulations 2009 (SI 2009/890) (as amended), products that are no longer usable must be collected separately and disposed of in an environmentally friendly manner.

The reprinting or reproduction by any other means, in whole or in part, of documentation and papers accompanying products is permitted only with the express consent of the Einhell Germany AG.

Subject to technical changes



## Service information

We have competent service partners in all countries named on the guarantee certificate whose contact details can also be found on the guarantee certificate. These partners will help you with all service requests such as repairs, spare and wearing part orders or the purchase of consumables.

Please note that the following parts of this product are subject to normal or natural wear and that the following parts are therefore also required for use as consumables.

Category	Example
Wear parts*	Carbon brushes, Battery
Consumables*	Mower spindle
Missing parts	

\* Not necessarily included in the scope of delivery!

In the effect of defects or faults, please register the problem on the internet at [www.Einhell-Service.com](http://www.Einhell-Service.com). Please ensure that you provide a precise description of the problem and answer the following questions in all cases:

- Did the equipment work at all or was it defective from the beginning?
- Did you notice anything (symptom or defect) prior to the failure?
- What malfunction does the equipment have in your opinion (main symptom)? Describe this malfunction.

