

### Illustration - Type - E

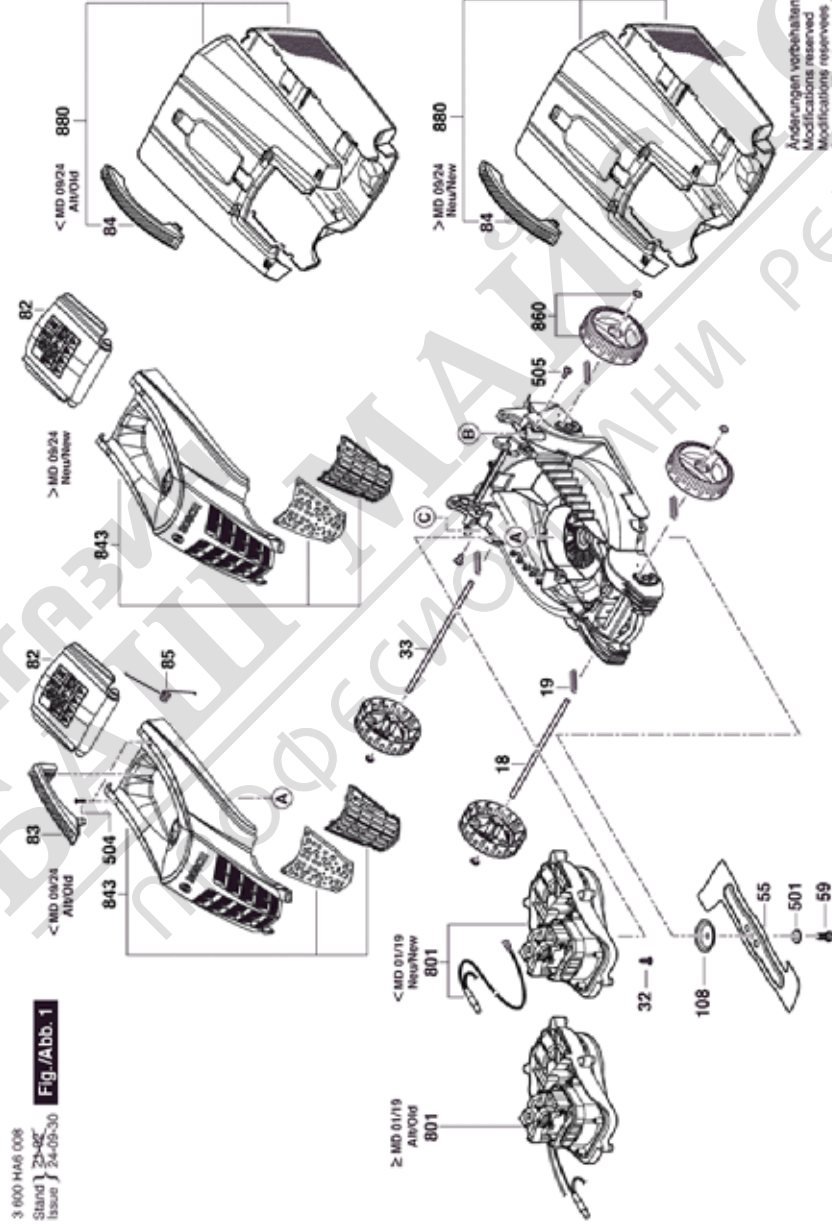
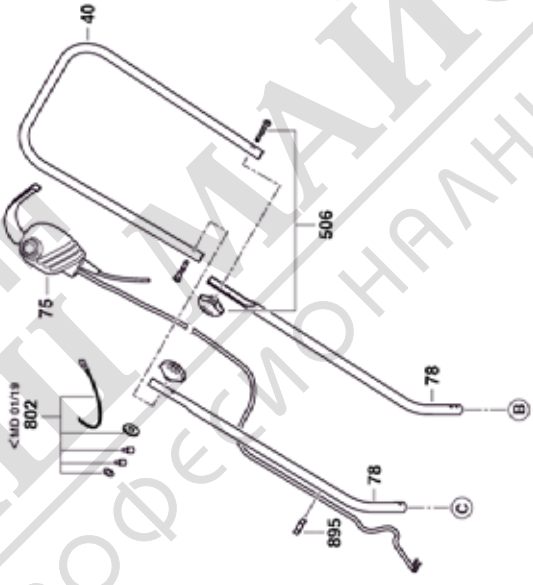


Illustration - Type - E

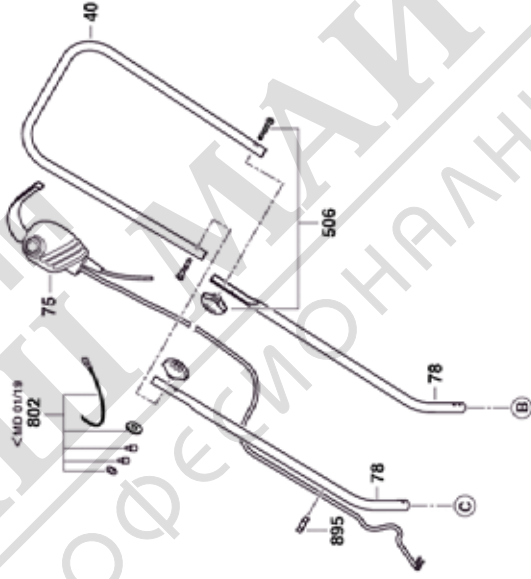
3 600 HA6 008  
Stand | 24-09-20  
Issue | Fig./Abb. 2



Änderungen vorbehalten  
Modifications reserved  
Modificacions reservadas  
Salvo modificaciones

Illustration - Type - E

3 600 HA6 008  
Stand | 24-09-20  
Issue | Fig./Abb. 2



Änderungen vorbehalten  
Modifications reserved  
Modificacions reservadas  
Salvo modificaciones

## Spare parts list

Item	Part Number	Description	Illustration	Price	Quantity
18	F 016 F04 684	Axle	1		1
19	F 016 F04 685	Contact strap	1		3
32	F 016 F04 506	Screw 5 STÜCK	1		1
33	F 016 F04 691	Axle	1		1
55	1 600 A02 5F8	Cutter Blade	1		1
59	F 016 T48 547	Hex Screw M8X20 MM	1		1
82	1 617 S02 1WK	Guard Flap	1	-	1
82	F 016 F04 701	Guard Flap	1		1
83	F 016 F04 696	Carrying Handle	1		1
84	F 016 L66 685	Carrying Handle	1		1
85	F 016 F04 702	closing spring	1		1
108	F 016 L67 627	Bearing cover	1		1
501	F 016 T48 185	Plain Washer Ø8,15 BLACK	1		1
504	F 016 F04 697	Screw	1		2
505	F 016 L36 542	Screw M5X8 CSK HD.	1		2
801	F 016 F04 606	Motor NEU	1		1
801	F 016 F05 740	Motor ALT	1		1
843	1 617 S02 1WZ	Motor Hood	1	-	1
843	F 016 F04 695	Motor Hood	1		1
860	F 016 F04 609	Wheel	1		4
880	1 617 S02 1X4	Collection box	1	-	1
880	F 016 F04 693	Collection box	1		1
40	F 016 F04 698	Handle top assembly	2		1
75	F 016 F04 700	Switching Unit	2		1
78	F 016 F04 699	bottom handle	2		2
506	F 016 L66 155	Wing Nut	2		2
802	1 617 S02 1WV	terminal	2	-	1
895	F 016 L66 895	Cable Clip ROTAK II	2		1