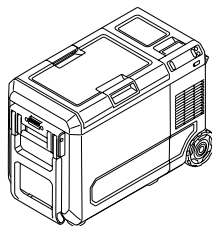




EN	Cordless Cooler & Warmer Box	INSTRUCTION MANUAL	7
FR	Glacière & réchaud sans fil	MANUEL D'INSTRUCTIONS	19
DE	Akku-Kühl- und Warmhaltebox	BETRIEBSANLEITUNG	32
IT	Contenitore termico refrigerante e riscaldante a batteria	ISTRUZIONI PER L'USO	46
NL	Accukoelbox en -verwarmingsbox	GEbruIKSAANWIJZING	60
ES	Caja Enfriadora & Térmica Inalámbrica	MANUAL DE INSTRUCCIONES	73
PT	Refrigerador e aquecedor a Bateria	MANUAL DE INSTRUÇÕES	86
EL	Φορητό ψυγείο και κουτί θέρμανσης	ΕΓΧΕΙΡΙΔΙΟ ΟΔΗΓΙΩΝ	99
TR	Akülü Soğutucu ve Isıtıcı Kutu	KULLANMA KILAVUZU	113
ZHCN	充电/车载冷热二用保温箱	使用说明书	124
ID	Kotak Pendingin & Penghangat Nirkabel	PETUNJUK PENGGUNAAN	136
MS	Peti Penyejuk & Pemanas Tanpa Kord	MANUAL ARAHAN	149
VI	Máy Làm Mát Và Ấm Cầm Tay Hoạt Động Bằng Điện Và Pin	TÀI LIỆU HƯỚNG DẪN	161
TH	กล่องทำความเย็นและทำความร้อนไร้สาย	คู่มือการใช้งาน	172

CW004G



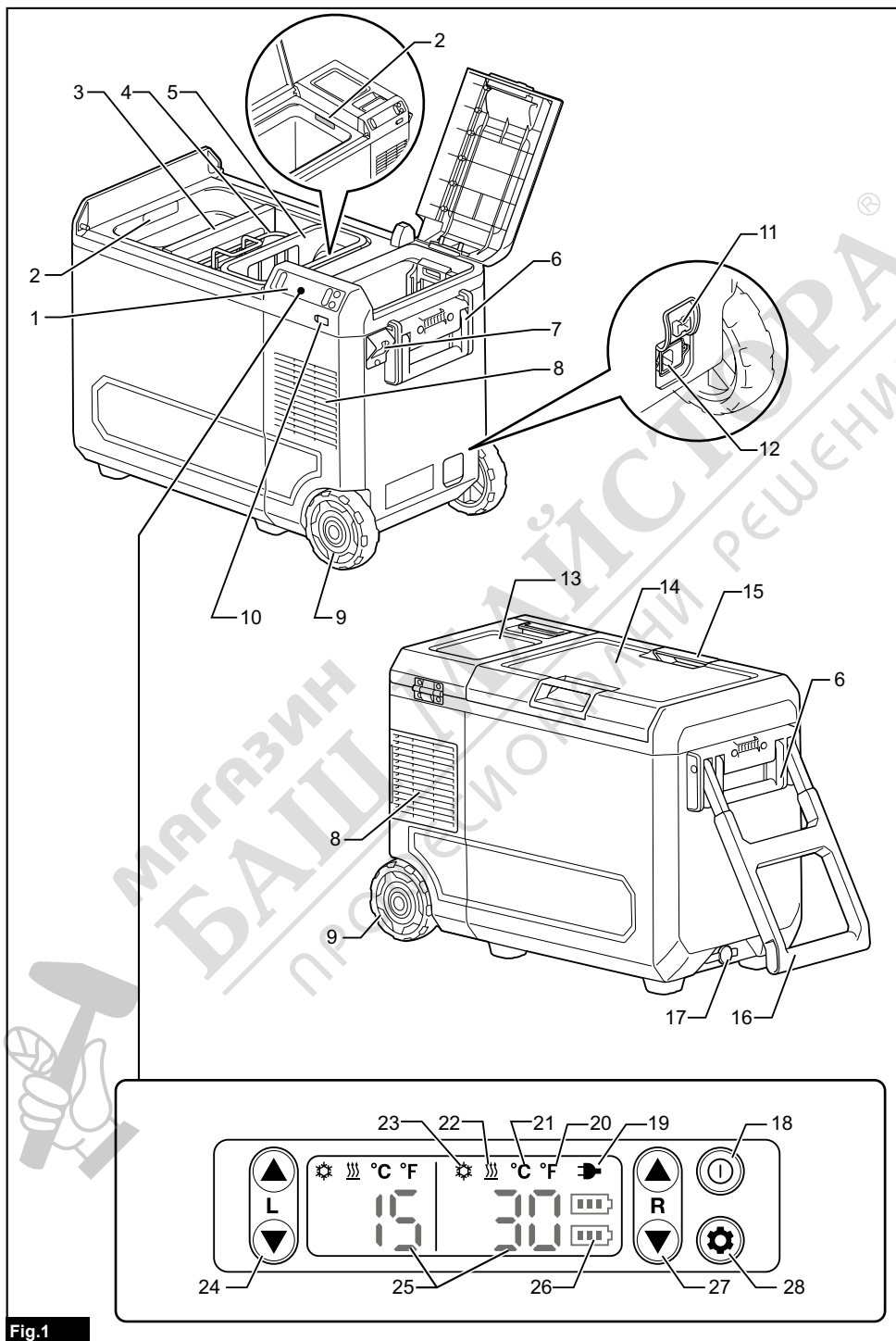


Fig.1

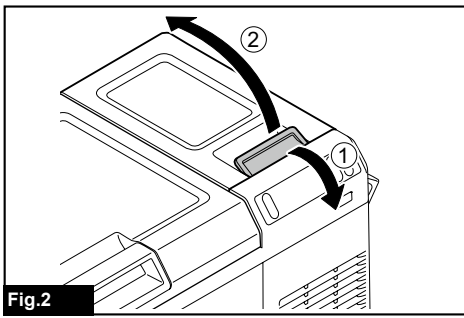


Fig.2

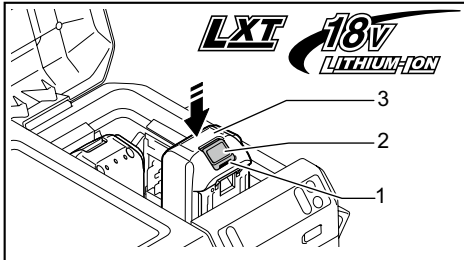


Fig.3

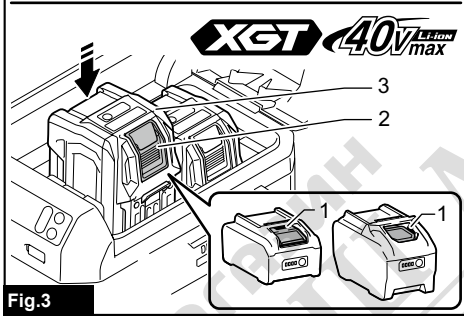


Fig.3

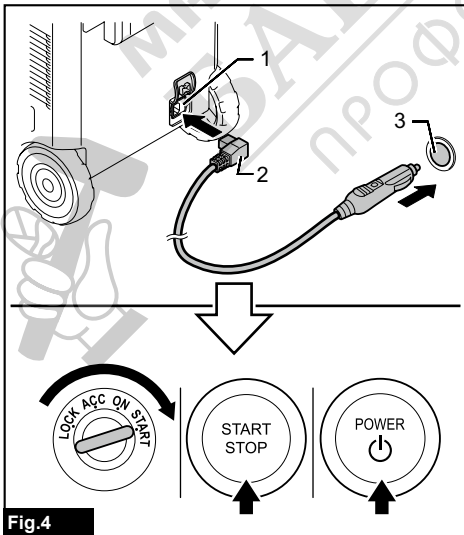


Fig.4

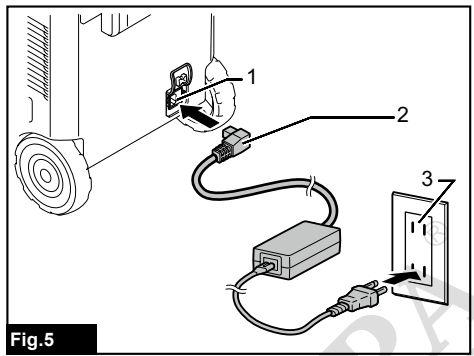


Fig.5

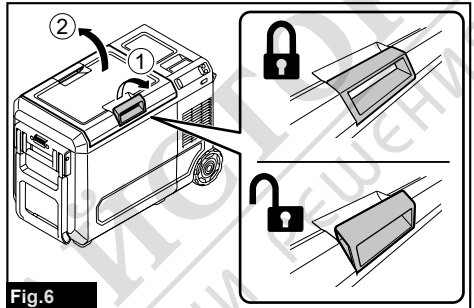


Fig.6

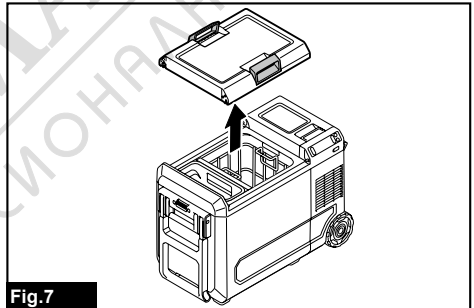


Fig.7

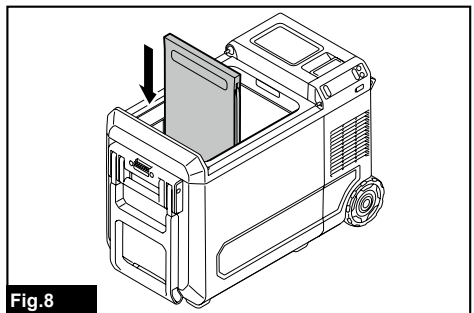


Fig.8

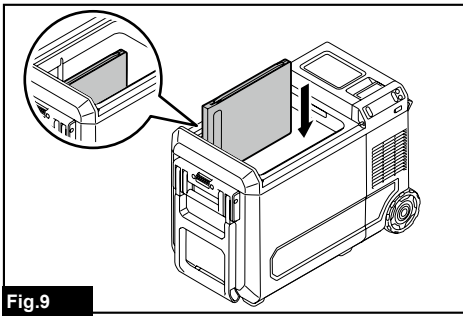


Fig.9

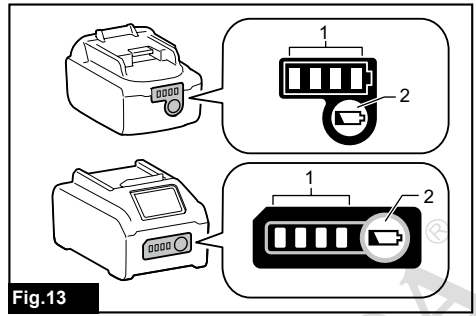


Fig.13

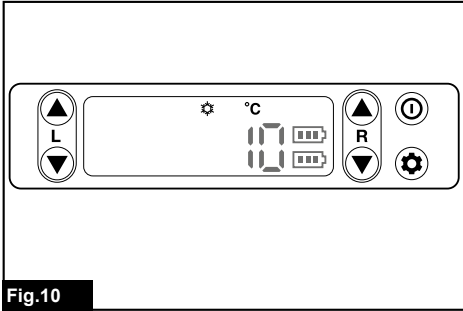


Fig.10

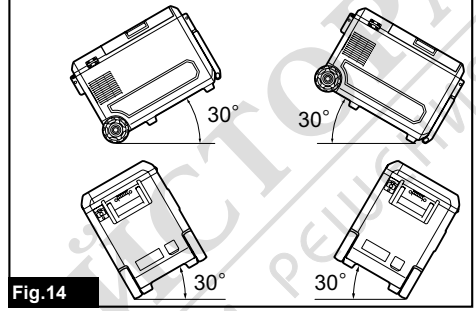


Fig.14

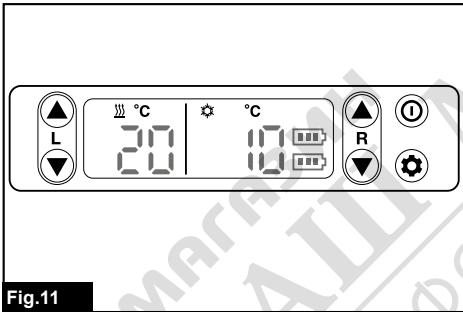


Fig.11

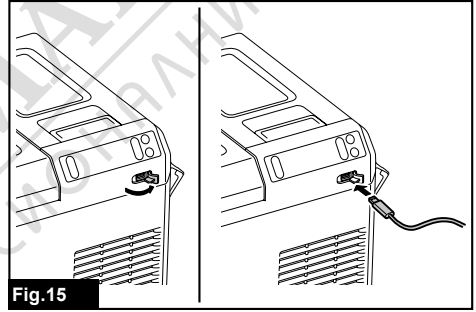


Fig.15

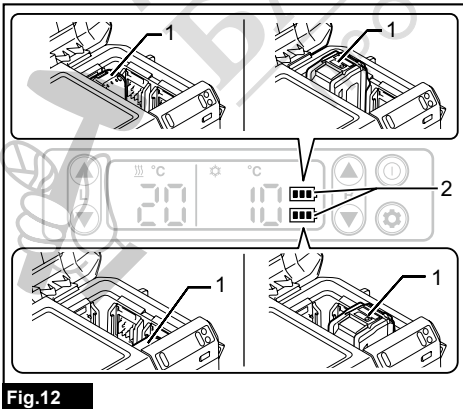


Fig.12

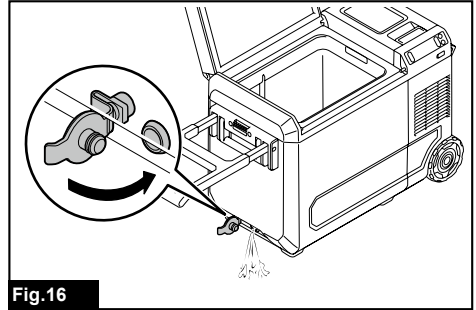


Fig.16

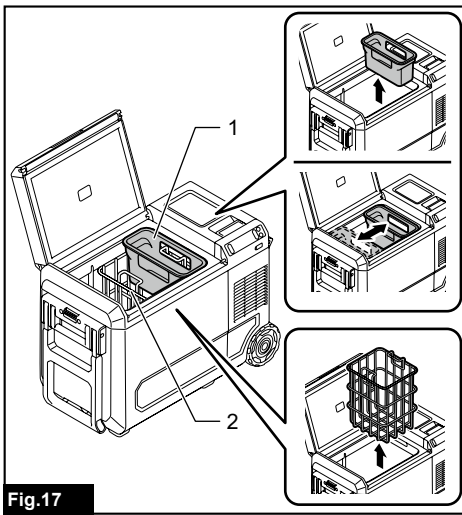


Fig.17

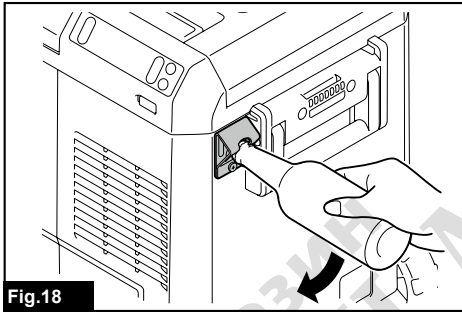


Fig.18

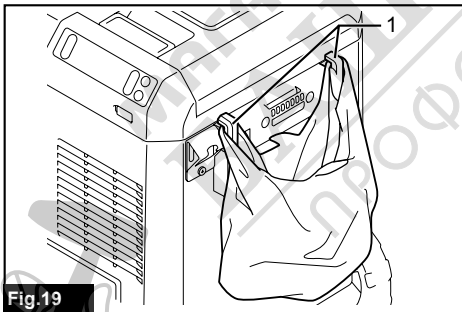


Fig.19

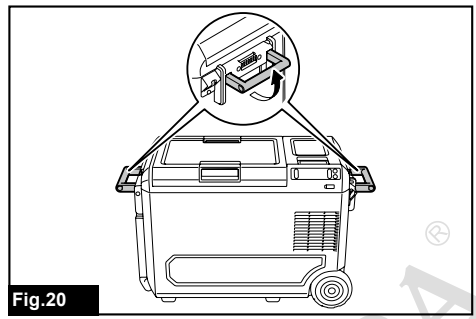


Fig.20

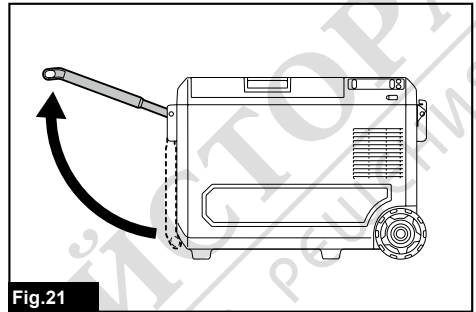


Fig.21

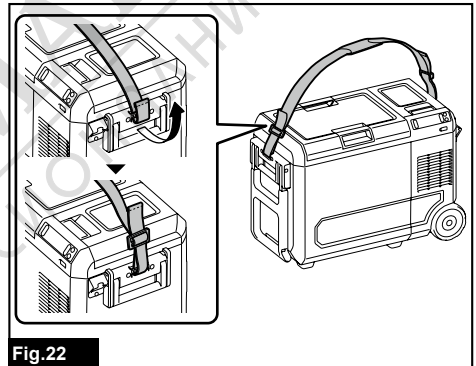


Fig.22

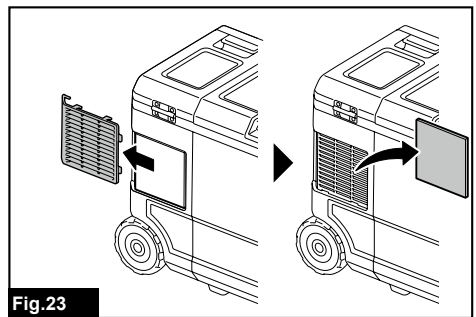


Fig.23

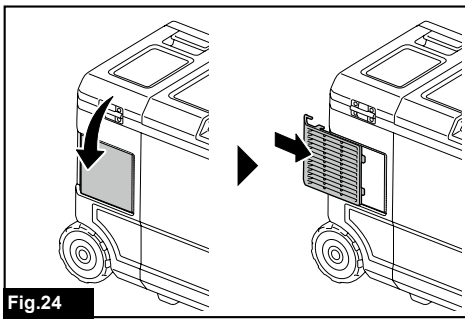


Fig.24



МАГАЗИН
БАШ МАЙСТОРА[®]
ПРОФЕСИОНАЛНИ РЕШЕНИЯ

WARNING

- See the chapter “MAINTENANCE” for the appropriate procedures and precautions during user maintenance.
- For users in Europe:
This appliance can be used by children aged from 8 years and above and persons with reduced physical, sensory or mental capabilities or lack of experience and knowledge if they have been given supervision or instruction concerning use of the appliance in a safe way and understand the hazards involved. Children shall not play with the appliance. Cleaning and user maintenance shall not be made by children without supervision.
- For users in areas other than Europe:
This appliance is not intended for use by persons (including children) with reduced physical, sensory or mental capabilities, or lack of experience and knowledge, unless they have been given supervision or instruction concerning use of the appliance by a person responsible for their safety. Children should be supervised to ensure that they do not play with the appliance.
- If the supply cord is damaged, it must be replaced by a special cord or assembly available from the manufacturer or its service agent.
- See the chapter “Specifications” for the type reference of the battery.
- See the section “Installing or removing battery cartridge” for how to remove or install the battery.
- When disposing the battery cartridge, remove it from the appliance and dispose of it in a safe place. Follow your local regulations relating to disposal of battery.
- If the appliance is not used for a long period of time, the battery must be removed from the appliance.
- Do not short the battery cartridge.

INTRODUCTION

Specifications

Model:		CW004G
Input	Battery cartridge	D.C. 18 V D.C. 36 V - 40 V max
	AC adapter (Optional accessory)	Refer the indication on the AC adapter. (Input voltage varies depending on the country.)
	Cigarette lighter adapter	D.C. 12 V / D.C. 24 V
Power consumption		80 W
Anti-shock protection class		III
USB power supply port		Output voltage D.C. 5 V / Output current D.C. 2.4 A / Type A
Capacity		29 L
Refrigerant		R-1234yf (33 g)
Insulation material / Foaming material		Polyurethane foam / Cyclopentane (C ₅ H ₁₀)
Protection degree		IPX4 (only when powered by battery cartridge)
Net weight (Without accessories)	Without battery cartridge	17.1 kg
	With BL4080F x2	20.9 kg
Dimensions (L x W x H)	External dimensions	676 mm x 345 mm x 471 mm (With the handles and carrying handle lowered position)
	Inside of the chamber	343 mm x 240 mm x 338 mm
Climate type		SN / N / ST / T

- Due to our continuing program of research and development, the specifications herein are subject to change without notice.
- Specifications may differ from country to country.

Selectable temperature

°C	-18	-15	-10	-5	0	5	10	15	20	25	30	35	40	45	50	55	60
°F	0	5	15	25	30	40	50	60	70	75	85	95	105	115	120	130	140

Applicable battery cartridge and charger

Battery cartridge	D.C. 18 V Model	BL1815N / BL1820B / BL1830B / BL1840B / BL1850B / BL1860B
	D.C. 36 V - 40 V max Model	BL4020 / BL4025 / BL4040 / BL4050F / BL4080F
Charger	D.C. 18 V Model	DC18RC / DC18RD / DC18RE / DC18SD / DC18SE / DC18SF / DC18SH / DC18WC
	D.C. 36 V - 40 V max Model	DC40RA / DC40RB / DC40RC

- Some of the battery cartridges and chargers listed above may not be available depending on your region of residence.

⚠ WARNING: Only use the battery cartridges and chargers listed above. Use of any other battery cartridges and chargers may cause injury and/or fire.

⚠ WARNING: Do not use a corded power supply such as battery adapter or portable power pack with this appliance. The cable of such power supply may hinder the operation and result in personal injury.

Operating time

NOTE: The operating time is measured from the state that the inside of the chamber reaches the control temperature.

NOTE: Operating times are approximate and may differ depending on battery type, charging status, and usage condition.

When operating as single chamber

Voltage	Battery cartridge (When using two of the same battery cartridges)	Operating time for each control temperature (hours)		
		Ambient temperature is 30°C (85°F)		Ambient temperature is 0°C (30°F)
		-18°C (0°F)	5°C (40°F)	60°C (140°F)
D.C. 18 V	BL1815N	1.5	4.0	1.5
	BL1820B	2.0	5.5	2.0
	BL1830B	3.0	7.5	2.5
	BL1840B	4.5	11.0	3.5
	BL1850B	5.5	14.0	5.0
	BL1860B	7.0	17.0	6.0
D.C. 36 V - 40 V max	BL4020	4.5	11.5	4.5
	BL4025	6.0	15.0	5.5
	BL4040	10.0	24.0	9.0
	BL4050F	12.5	30.0	11.5
	BL4080F	20.0	48.0	18.5

When operating as dual chamber

Voltage	Battery cartridge (When using two of the same battery cartridges)	Operating time for each control temperature (hours)	
		Ambient temperature is 30°C (85°F)	
		-18°C (0°F)	5°C (40°F)
D.C. 18 V	BL1815N		1.5
	BL1820B		2.5
	BL1830B		3.5
	BL1840B		5.0
	BL1850B		6.5
	BL1860B		8.0

Voltage	Battery cartridge (When using two of the same battery cartridges)	Operating time for each control temperature (hours)	
		Ambient temperature is 30°C (85°F)	
		-18°C (0°F)	5°C (40°F)
D.C. 36 V - 40 V max	BL4020		4.5
	BL4025		5.5
	BL4040		9.0
	BL4050F		11.0
	BL4080F		18.0

Symbols

The followings show the symbols which may be used for the equipment. Be sure that you understand their meaning before use.



Read instruction manual.



Only for EU countries
Due to the presence of hazardous components in the equipment, waste electrical and electronic equipment, accumulators and batteries may have a negative impact on the environment and human health. Do not dispose of electrical and electronic appliances or batteries with household waste!
In accordance with the European Directive on waste electrical and electronic equipment and on accumulators and batteries and waste accumulators and batteries, as well as their adaptation to national law, waste electrical equipment, batteries and accumulators should be stored separately and delivered to a separate collection point for municipal waste, operating in accordance with the regulations on environmental protection.
This is indicated by the symbol of the crossed-out wheeled bin placed on the equipment.



Warning;
Risk of fire.



Do not fill the water directly in the chamber. Do not immerse the appliance in water. Do not pour water on the appliance. Otherwise electric shock or malfunction may occur.

Safety warnings

1. **Only when the appliance is powered by battery cartridge, the appliance is suitable for camping use.**
2. **This appliance uses flammable refrigerants. Read and follow these instructions for handling. Ask our service center for servicing. When disposing the appliance, follow your local regulations relating to disposal of flammable refrigerants.**
3. **WARNING: Keep ventilation openings or in the appliance enclosure clear of obstruction.**
4. **WARNING: Do not use mechanical devices or other means to accelerate the defrosting process, other than those recommended by the manufacturer.**

5. **WARNING: Do not use electrical appliances inside the food storage compartments of the appliance, unless they are of the type recommended by the manufacturer.**
6. **This appliance contains flammable insulation blowing gases inside. When disposing the appliance, follow your local regulations relating to disposal of flammable insulation blowing gases.**
7. **Do not store explosive substances such as aerosol cans with a flammable propellant in this appliance.**
8. **This appliance is intended to be used in household and similar applications such as**
 - staff kitchen areas in shops, offices and other working environments;
 - farm houses and by clients in hotels, motels and other residential type environments;
 - bed and breakfast type environments;
 - catering and similar non-retail applications.
9. **Ask a qualified repair person when you want to replace the illuminating lamps. All parts, including the illumination lamp, should be replaced by a qualified repair person.**
10. **WARNING: Risk of child entrapment. Before you throw away this appliance:**
 - * Take off the doors.

Additional safety warnings for cooler & warmer box

1. **Read the instruction manual carefully before use.**
2. **Do not allow small children and pets to play with this appliance. Keep the appliance out of reach of children when storing. Otherwise serious incident such as an entrapment may occur.**
3. **Do not disassemble the appliance.**
4. **Any accessories not recommended by the manufacturer may not be used. Otherwise malfunction may occur.**
5. **Do not use this appliance as a stepstool or chair. It may cause falls and injuries.**
6. **Do not immerse the appliance in water or other liquid to prevent electric shock. Do not expose to rain.**
7. **Even if the appliance is not in use, do not place the appliance upside down, or tilt it above 15°. Otherwise malfunction may occur.**
8. **Do not place the appliance in hot places such as in a car under the sun or near heating materials. Cooling performance may be reduced, or a gas leak may cause a fire.**

9. **When positioning the appliance, ensure the power cord is not tapped or damaged.**
10. **Do not place the appliance near gas appliances.** Cooling performance may be reduced, or a gas leak may cause a fire.
11. **Do not use flammable sprayer near the appliance.** Otherwise it may cause fire.
12. **Do not use this appliance in the refrigerator vehicle or refrigerator chamber.** Dew condensation easily occurs in the refrigerator vehicle and refrigerator chamber, causing water droplets to fall on the appliance and result in malfunctions.
13. **When using the appliance in a car, be sure to install the appliance in a stable place such as the luggage space or the feet of the rear seats, and fix it. Do not place the appliance on the seat in an unstable state.** If the car suddenly starts or stops during driving, the appliance may fall over and move, causing injury.
14. **Do not use the AC adapter outdoors.** Otherwise electric shock may occur.
15. **Do not insert metal foil or other conductive materials into the appliance to prevent fire or short circuit.**
16. **Check if the voltage range used is the same as that marked on the nameplate, whether the power cord plug is match the socket, and ensure that the socket is well grounded.**
17. **Do not abuse the AC adapter and cigarette lighter adapter.**
18. **Do not put any objects on or around the AC adapter when using.** Otherwise it may cause fire.
19. **Do not damage the cord of the AC adapter and cigarette lighter adapter.**
 - Do not modify the cord.
 - Do not bend, pull, or twist the cord forcibly.
 - Do not pinch the cord.
 - Do not put heavy objects on the cord.
 - Do not bundle the cord when using.

Otherwise the cord may be damaged and fire or electric shock result.
20. **Clean the plug of the AC adapter and cigarette lighter adapter.** Dirt such as water or salt adhering to the plug may cause rust and result poor conductivity, deformation or fire.
21. **Clean dust and ash from the cigarette lighter adapter socket.** Otherwise deformation or fire may occur.
22. **Do not handle the plug with wet or greasy hand.** Doing so may cause electric shock.
23. **Insert the plug completely into the "DC IN" socket.** Failure to do so may deform the plug or cause a fire.
24. **Do not touch the plug of the AC adapter and cigarette lighter adapter immediately after operation.** They may be extremely hot and could burn your skin.
25. **Do not use the DC output (DC) of the engine generator as the power supply.** Doing so may cause a failure.
26. **When the remaining automobile battery capacity gets small, use the appliance with the engine running. After using the appliance, unplug the cigarette lighter socket to prevent the loading on the automobile battery.**
27. **Do not charge the car battery while using the appliance.** Unacceptable voltage may be applied to the product, resulting in failure or fire.
28. **Do not handle the appliance while driving.** Doing so may cause an accident.
29. **If the fuse of the cigarette lighter adapter blows, always replace with new one specified by Makita. Contact your local Makita Service Center for details.**
30. **To avoid damage to the compressor, do not press the start button frequently. When starting, always leave at least 5-minute interval from the previous use.**
31. **When operating cooling mode, do not touch the contents, especially those made of metal, inside the appliance with wet hands.** Doing so may cause frostbite.
32. **When operating heating mode, do not touch the inside of the appliance with your hand for a long time.** Risk of low-temperature burns.
33. **Be careful not to pinch your finger when closing and opening the door and the battery cover.**
34. **Be careful not to run out of battery power while keeping food and drink cool or warm. Do not store opened foods for a long time.** Food and drink may rot.
35. **When putting food or drink in the appliance, keep the inside of the chamber clean.** Risk of food poisoning etc.
36. **When putting food or drink in the appliance, put a cold or hot thing in advance.** This appliance cannot cool or heat in a short time.
37. **Do not overfill food and drink in the appliance.** Cooling performance may be reduced, causing food and drink to rot.
38. **Do not put things that are easily perishable in the chamber when the appliance in heating mode.** The food or drink may rot.
39. **Do not put creatures such as pets in the appliance.** This appliance cannot save creatures.
40. **Do not put water etc. directly in the appliance.** Water may get inside the appliance and cause a malfunction. If water has accumulated in the chamber, wipe it off with a soft cloth.
41. **Do not put a cold agent in a broken bag.** If the cold agent leak in the appliance, the metal part of the appliance may be corroded. If the cold agent leaks, wipe it off with a damp soft cloth and then wipe dry with a soft cloth.
42. **Do not put such as medicines or academic materials in the appliance.** This appliance cannot storage the materials that require strict temperature control.
43. **Hold the appliance firmly when carrying.** Otherwise the appliance may fall and cause a malfunction, or falling on your feet may cause injury.

44. **When carrying the appliance, keep the appliance with the door facing up. Do not carry the appliance with upside down.** Otherwise malfunction may occur.
45. **When cleaning or not in use, remove the battery and unplug the power plug.**
46. **Do not use chemical washing liquids and hard tools to clean the product.**
47. **Do not use a knife or a screwdriver to remove ice or frost from the appliance.** Doing so may damage the inside of the appliance and cause a malfunction, or the enclosed gas or oil may squirt.
48. **When using in dusty environment, clean the sponge filter more often.** Dusty environment causes sponge filter clogging easily and fire.
10. **Have servicing performed by a qualified repair person using only identical replacement parts.** This will ensure that the safety of the product is maintained.
11. **Do not modify or attempt to repair the appliance or the battery pack except as indicated in the instructions for use and care.**

Important safety instructions for battery cartridge

1. **Before using battery cartridge, read all instructions and cautionary markings on (1) battery charger, (2) battery, and (3) product using battery.**
2. **Do not disassemble or tamper with the battery cartridge.** It may result in a fire, excessive heat, or explosion.
3. **If operating time has become excessively shorter, stop operating immediately. It may result in a risk of overheating, possible burns and even an explosion.**
4. **If electrolyte gets into your eyes, rinse them out with clear water and seek medical attention right away. It may result in loss of your eyesight.**
5. **Do not short the battery cartridge:**
 - (1) **Do not touch the terminals with any conductive material.**
 - (2) **Avoid storing battery cartridge in a container with other metal objects such as nails, coins, etc.**
 - (3) **Do not expose battery cartridge to water or rain.**

A battery short can cause a large current flow, overheating, possible burns and even a breakdown.

Safety warnings for battery-operated appliance

Battery-operated appliance use and care

1. **Prevent unintentional starting. Ensure the switch is in the off-position before connecting to battery pack, picking up or carrying the appliance.** Carrying the appliance with your finger on the switch or energizing appliance that have the switch on invites accidents.
2. **Disconnect the battery pack from the appliance before making any adjustments, changing accessories, or storing appliance.** Such preventive safety measures reduce the risk of starting the appliance accidentally.
3. **Recharge only with the charger specified by the manufacturer.** A charger that is suitable for one type of battery pack may create a risk of fire when used with another battery pack.
4. **Use appliances only with specifically designated battery packs.** Use of any other battery packs may create a risk of injury and fire.
5. **When battery pack is not in use, keep it away from other metal objects, like paper clips, coins, keys, nails, screws or other small metal objects, that can make a connection from one terminal to another.** Shorting the battery terminals together may cause burns or a fire.
6. **Under abusive conditions, liquid may be ejected from the battery; avoid contact. If contact accidentally occurs, flush with water. If liquid contacts eyes, additionally seek medical help.** Liquid ejected from the battery may cause irritation or burns.
7. **Do not use a battery pack or appliance that is damaged or modified.** Damaged or modified batteries may exhibit unpredictable behaviour resulting in fire, explosion or risk of injury.
8. **Do not expose a battery pack or appliance to fire or excessive temperature.** Exposure to fire or temperature above 130 °C may cause explosion.
9. **Follow all charging instructions and do not charge the battery pack or appliance outside the temperature range specified in the instructions.** Charging improperly or at temperatures outside the specified range may damage the battery and increase the risk of fire.
10. **Do not store and use the appliance and battery cartridge in locations where the temperature may reach or exceed 50 °C (122 °F).**
11. **Do not incinerate the battery cartridge even if it is severely damaged or is completely worn out. The battery cartridge can explode in a fire.**
8. **Do not nail, cut, crush, throw, drop the battery cartridge, or hit against a hard object to the battery cartridge.** Such conduct may result in a fire, excessive heat, or explosion.
9. **Do not use a damaged battery.**
10. **Never service damaged battery packs.** Service of battery packs should only be performed by the manufacturer or authorized service providers.
11. **The contained lithium-ion batteries are subject to the Dangerous Goods Legislation requirements.**

For commercial transports e.g. by third parties, forwarding agents, special requirement on packaging and labeling must be observed. For preparation of the item being shipped, consulting an expert for hazardous material is required. Please also observe possibly more detailed national regulations.

Tape or mask off open contacts and pack up the battery in such a manner that it cannot move around in the packaging.

12. When disposing the battery cartridge, remove it from the appliance and dispose of it in a safe place. Follow your local regulations relating to disposal of battery.
13. Use the batteries only with the products specified by Makita. Installing the batteries to non-compliant products may result in a fire, excessive heat, explosion, or leak of electrolyte.
14. If the appliance is not used for a long period of time, the battery must be removed from the appliance.
15. During and after use, the battery cartridge may take on heat which can cause burns or low temperature burns. Pay attention to the handling of hot battery cartridges.
16. Do not touch the terminal of the appliance immediately after use as it may get hot enough to cause burns.
17. Do not allow chips, dust, or soil stuck into the terminals, holes, and grooves of the battery cartridge. It may result in poor performance or breakdown of the appliance or battery cartridge.
18. Unless the appliance supports the use near high-voltage electrical power lines, do not use the battery cartridge near high-voltage electrical power lines. It may result in a malfunction or breakdown of the appliance or battery cartridge.
19. Keep the battery away from children.

SAVE THESE INSTRUCTIONS.

⚠CAUTION: Only use genuine Makita batteries. Use of non-genuine Makita batteries, or batteries that have been altered, may result in the battery bursting causing fires, personal injury and damage. It will also void the Makita warranty for the Makita appliance and charger.

Tips for maintaining maximum battery life

1. Charge the battery cartridge before completely discharged. Always stop appliance operation and charge the battery cartridge when you notice less appliance power.
2. Never recharge a fully charged battery cartridge. Overcharging shortens the battery service life.
3. Charge the battery cartridge with room temperature at 10 °C - 40 °C (50 °F - 104 °F). Let a hot battery cartridge cool down before charging it.
4. When not using the battery cartridge, remove it from the appliance or the charger.
5. Charge the battery cartridge if you do not use it for a long period (more than six months).

Parts description

► Fig.1

1	Control panel	2	LED lamp
3	Separator	4	Inner basket
5	Inner tray	6	Carry handle
7	Opener	8	Air vent
9	Wheel	10	USB cover
11	"DC IN" socket cover	12	"DC IN" socket
13	Battery cover	14	Door
15	Latch	16	Trolley handle
17	Drain	18	Power button
19	Lamp of "DC IN"	20	Unit of temperature (degree Fahrenheit)
21	Unit of temperature (degree Celsius)	22	Lamp of heating mode
23	Lamp of cooling mode	24	Temperature setting button (left)
25	Temperature display	26	Battery indicator
27	Temperature setting button (right)	28	Setting button

HOW TO USE

⚠CAUTION: Do not put things that are easily perishable in the chamber when the appliance in heating mode. The food or drink may rot.

NOTE: When operating the appliance in high humid environment, dew condensation may occur on the appliance. This is not malfunction of the appliance. Use a dry cloth to wipe the dew condensation off the appliance.

Connecting the power supply

When operating with battery cartridge

⚠CAUTION: Always switch off the appliance before installing or removing the battery cartridge.

⚠CAUTION: Hold the appliance and the battery cartridge firmly when installing or removing battery cartridge. Failure to hold the appliance and the battery cartridge firmly may cause them to slip off your hands and result in damage to the appliance and battery cartridge and a personal injury.

⚠CAUTION: Always install the battery cartridge fully until the red indicator cannot be seen. If not, it may accidentally fall out of the appliance, causing injury to you or someone around you.

⚠CAUTION: Be careful not to pinch your fingers between the battery cartridge and the terminals. It may cause slash injury.

To install the battery cartridge, open the battery cover.

► **Fig.2**

Align the tongue on the battery cartridge with the groove in the housing and slip it into place. Insert it all the way until it locks in place with a little click. Then close the battery cover.

To remove the battery cartridge, slide it from the appliance while sliding the button on the front of the cartridge.

► **Fig.3:** 1. Red indicator 2. Button 3. Battery cartridge

CAUTION: Always install the battery cartridge fully until the red indicator cannot be seen. If not, it may accidentally fall out of the appliance, causing injury to you or someone around you.

CAUTION: Do not install the battery cartridge forcibly. If the cartridge does not slide in easily, it is not being inserted correctly.

NOTE: Up to two battery cartridges can be installed, although the appliance uses one battery cartridge for operation.

NOTE: If two batteries of the same type are installed, the battery with lower remaining capacity will be used first.

NOTE: If two batteries of the different type are installed, the D.C.36 V - 40V max (XGT) battery will be used first.

When operating with cigarette lighter adapter

CAUTION: Do not use the cigarette lighter adapter if the plug is unplugged easily, if the connection is wobbly, or if the plug cannot be connected properly.

When using the appliance with the cigarette lighter socket, use the cigarette lighter adapter supplied with the appliance. Insert the plug to "DC IN" socket and then insert the other end to the cigarette lighter socket. Start the engine or turn on the car.

► **Fig.4:** 1. "DC IN" socket 2. Plug 3. Cigarette lighter socket

When the appliance is operating with power from cigarette lighter adapter, the lamp of "DC IN"  lights up.

NOTICE: The cigarette lighter adapter is for D.C. 12 V / 24 V car battery. The cigarette lighter adapter cannot be used with other D.C. power sources.

NOTICE: Do not use the appliance with the engine key or engine switch in the "ACC" state. Otherwise dead battery may result.

NOTICE: Do not use extension cords, branch cords, etc. Use the cigarette lighter adapter provided with the appliance. Otherwise malfunction may occur.

NOTICE: Do not pull the cord when unplugging. Otherwise malfunction may occur.

NOTICE: If the car has an idle reduction function, the appliance may not work properly because the car battery becomes low voltage. In this case, we recommend to turn off the idle reduction function.

NOTICE: Always close the "DC IN" socket cover firmly when the power cord is not plugged. Otherwise foreign matter may enter the appliance and cause a malfunction.

NOTE: When both of the cigarette lighter adapter and the battery cartridge are installed, the appliance operates by the power from cigarette lighter adapter.

NOTE: The battery power is consumed slightly even the appliance operates by the power from cigarette lighter adapter.

NOTE: The appliance does not charge the battery cartridge.

NOTE: When the appliance shifts power supply, the compressor will stop for about 3 minutes to protect itself.

When operating with AC adapter


CAUTION: Do not use the AC adapter if the plug is unplugged easily, if the connection is wobbly, or if the plug cannot be connected properly.

CAUTION: Use the AC adapter provided with the appliance. Use of any other AC adapter may cause fire.

When using the appliance with AC power, use the AC adapter supplied with the appliance. Insert the plug to "DC IN" socket and then insert the other end to an outlet.

► **Fig.5:** 1. "DC IN" socket 2. Plug 3. Outlet *

* The shape of the plug of the AC adapter on the outlet side and the shape of the outlet differ depending on the country.

When the appliance is operating with power from AC adapter, the lamp of "DC IN"  lights up.

NOTICE: Do not pull the cord when unplugging. Otherwise malfunction may occur.

NOTICE: Always close the "DC IN" socket cover firmly when the power cord is not plugged. Otherwise foreign matter may enter the appliance and cause a malfunction.

NOTE: When both of the AC adapter and the battery cartridge are installed, the appliance operates by the power from AC adapter.

NOTE: The battery power is consumed slightly even the appliance operates by the power from AC adapter.

NOTE: The appliance does not charge the battery cartridge.

NOTE: When the appliance shifts power supply, the compressor will stop for about 3 minutes to protect itself.

Putting food or drink in the appliance

CAUTION: Cool the chamber sufficiently before putting the ice cream or frozen food in the chamber. Do not put the ice cream or frozen food with other food and drink. Otherwise the ice cream and frozen food may melt.

CAUTION: Do not put things that are easily perishable in the chamber when the appliance in heating mode. The food or drink may rot.

CAUTION: Do not put the food (especially raw food) while the appliance is turned off. The food or drink may rot.

CAUTION: Do not put foods in the chamber directly. Wrap the food or put the food into the plastic bag.

CAUTION: When operating in heating mode, do not put plastic bottles without heat resistant. Otherwise they may deform or break.

Opening or closing the door

Pull up the latch to release and open the door. The door can be opened from either side.

► Fig.6

Pull up the both latches to release and remove the door from the body.

► Fig.7

CAUTION: Make sure that the door is closed with the latches. Otherwise the door may open suddenly and injury result.

CAUTION: Do not force the door to open with the latch locked. Otherwise breakage or injury result.

NOTICE: Close the door promptly. Opening the door for a long period can cause significant increase/decrease of the temperature in the chamber.

NOTE: When closing the door, be sure to lock the latches manually. The latch does not lock automatically. If the latch protrudes from the top face of the door, the latch is not locked.

Separator

By using the separator, the appliance operates in dual chamber mode.

In the dual chamber mode, you can set the different temperature for each chamber. Refer to the section for selecting the control temperature.

To install the separator, align the grooves in the separator with the rails on the chamber and slide it into place.

► Fig.8

When operating in single chamber mode, remove or store the separator as illustrated so that the appliance does not detect the sensors in the separator. The sensors are positioned in the bottom end of the separator and in the bottom of the chamber.

► Fig.9

NOTICE: Always confirm the control temperature after installing or removing the separator. The control temperature changes automatically when installing or removing the separator. Unexpected control temperature may cause food and drink rotted.



Operating the appliance

Turning on the appliance

Press the power button  to turn on the appliance.

Press the power button  again to turn off the appliance.

Selecting the control temperature

Press the temperature setting button / to select the control temperature. Refer the chapter "SPECIFICATIONS" for the selectable control temperature.

The appliance starts cooling/heating about 5 seconds after without any operation, then the control temperature stop flashing and the temperature display shows the current temperature.

NOTE: The control temperature is approximate.

Current temperature may repeat going over and below the control temperature. This is because the appliance turns on and off the cooling/heating operation to bring the temperature closer to the control temperature.

The difference between the current temperature and control temperature may increase depending on usage condition, operation settings, and the things you put in the appliance.

NOTE: The current temperature may not reach the control temperature depending on the usage environment (extremely hot/cold), etc.

NOTE: The appliance keeps the temperature when the current temperature reaches the control temperature.

NOTE: Once the compressor stops, the compressor does not restart for 3 minutes to protect itself.

NOTE: When operating the appliance in high humid environment, dew condensation may occur on the appliance. This is not malfunction of the appliance. Use a dry cloth to wipe the dew condensation off the appliance.

NOTE: During cooling operation, you may hear the sound of water flowing from inside the appliance. This is not malfunction of the appliance. This is the sound of refrigerant flowing inside of the appliance to cool the chamber.

Single chamber mode

In the single chamber mode, the temperature display becomes as shown in the figure. The appliance cool/heats the entire chamber to the control temperature.

► Fig.10

Dual chamber mode

In the dual chamber mode, the temperature display becomes as shown in the figure. You can set the temperature for left chamber and right chamber separately.

► Fig.11

You can also choose not to set the temperature by pressing the setting button (⊕). The temperature display shows "--" if the chamber does not have the control temperature.





NOTICE: In the dual chamber mode, you cannot set the control temperature if there is a 30°C (55°F) or more difference with the other chamber. An error tone will sound if you try to set the temperature of such difference.

FUNCTIONAL DESCRIPTION

Indicating the remaining battery capacity

The battery indicator shows the remaining battery capacity. The remaining battery capacity is shown as the following table.

► Fig.12: 1. Battery cartridge 2. Battery indicator












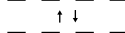


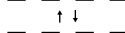
Battery indicator status	Remaining capacity
	50% to 100%
	20% to 50%
	0% to 20%
 (Blinking)	Charge the battery.

NOTE: The error code "F2" is displayed on the temperature display just before the appliance stops due to running out of the battery.

(Only for battery cartridges with the indicator)

Press the check button on the battery cartridge to indicate the remaining battery capacity. The indicator lamps light up for a few seconds.

► Fig.13: 1. Indicator lamps 2. Check button

Indicator lamps			Remaining capacity
Lighted	Off	Blinking	
			75% to 100%
			50% to 75%
			25% to 50%
			0% to 25%
			Charge the battery.
			The battery may have malfunctioned.
			

NOTE: Depending on the conditions of use and the ambient temperature, the indication may differ slightly from the actual capacity.

NOTE: The first (far left) indicator lamp will blink when the battery protection system works.

Protection system

The appliance is equipped with the protection systems. These systems automatically cuts off power to extend appliance and battery life.

Overdischarge protection

When the capacity of the battery cartridge becomes low, the appliance stops automatically. Remove the battery cartridge from the appliance and charge the battery cartridge.

Error code

For the specific errors, the temperature display shows following code.


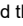

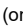
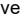
- **F1: The appliance gets equal to or greater than 30° from level angle.**
After the appliance back in level position, it takes about 3 minutes to restart.
Code F1 is displayed only when the appliance is operating in cooling mode.

► Fig.14

- **F2: Running out of battery.**
- **F3: The car input voltage is lower than the rated voltage.**
- **F4: The car input voltage is higher than the rated voltage.**
- **When the error codes other than the above is displayed:**
Turn off and restart the appliance. If the error still occurs, take the appliance to Makita Authorized or Factory Service Centers.

Protection system for the car battery

The appliance automatically stops when the car input voltage falls the specific threshold voltage. You can switch the specific threshold voltage "Lo" or "Hi" by following procedure.

1. Turn on the appliance.
2. Press and hold the setting button  and the temperature setting button  on the left until the mode ("Lo" or "Hi") is displayed.
3. Press the temperature setting button / (on either left or right) to switch "Lo" or "Hi".
4. Press the setting button , or leave the appliance about 5 seconds without any operation. The threshold voltage is completed.

Lo	The factory default. Use this mode in conventional cars.
Hi	The threshold voltage is higher than "Lo". For cars that continue to supply power from the cigarette lighter socket even when the car engine is turned off, we recommend to change "Hi" mode. In "Hi" mode, the appliance detects a small voltage drop and turns off, which prevents dead battery. The appliance may not work properly in "Hi" mode if the car battery is low voltage, e.g., the vehicle has an idle reduction function or the car battery is depleted. In this case, change to "Lo" mode.

Protections against other causes

Protection system is also designed for other causes that could damage the appliance and allows the appliance to stop automatically. Take all the following steps to clear the causes, when the appliance has been brought to a temporary halt or stop in operation.

1. Turn the appliance off, and then turn it on again to restart.
2. Charge the battery(ies) or replace it/them with recharged battery(ies).
3. Let the appliance and battery(ies) cool down.

If no improvement can be found by restoring protection system, then contact your local Makita Service Center.


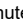
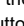

Re-start function

When the appliance is operating with the AC adapter or the cigarette lighter adapter, the re-start function is activated.

If the appliance stops by any means other than pressing the power button, the appliance turns on automatically when the power supply of the AC adapter or the cigarette lighter adapter is resumed.

When the appliance is operating with only battery cartridge, the re-start function is not activated.



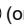
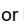
Mute mode

Press and hold the setting button  and temperature setting button  on the right to enter mute mode. All operation tones, except the error tones, are turned off. In the mute mode, press and hold the setting button  and temperature setting button  on the right to restore tones.

The all error tones always sound.

Switching the unit of temperature

You can switch the unit of temperature °C (degree Celsius) or °F (degree Fahrenheit) by following procedure.

1. Turn on the appliance.
2. Press and hold the setting button  until the unit ("C" or "F") starts flashing.
3. Press the temperature setting button / (on either left or right) to select unit.
4. Press the setting button , or leave the appliance about 5 seconds without any operation. The unit selection is completed.

Memory function

The appliance starts at the same setting as the last setting.

USB charging

The USB port continuously outputs 5 V voltage in operation state.

NOTICE: Connect only devices which are compatible with the USB power supply port. Otherwise it may cause malfunction to the appliance.

NOTICE: Do not connect the USB power supply port of this appliance to the USB terminal of your computer. It may cause malfunction.

NOTICE: Before connecting USB device to the appliance, always backup your data of USB device. Otherwise your data may be lost by any possibility.

NOTICE: When not using devices or after charging, remove the USB cable and close the USB cover.

NOTE: The appliance may not supply power to some USB devices.

► Fig.15

Drain

When cleaning the chamber or water accumulates in the chamber, open the drain cap to drain the water. After drained the water, dry well the chamber. Always attach the drain cap securely before using the appliance.

► Fig.16

Storage items

The inner tray can be placed in the upper part of the chamber.

The inner basket can only be placed on the right side of the chamber.

The inner tray and the inner basket can be used together.

The appliance also can available without the inner tray and inner basket.

► Fig.17: 1. Inner tray 2. Inner basket

NOTICE: Make sure that the inner tray seats the firmly into the groove on the rim of chamber before closing the door.

Opener

Use to open the bottle crown cap.

► Fig.18

Lamp

The LED lamps turn on automatically when the door is opened and turn off when the door is closed.

Garbage bag hook

Use to hang a garbage bag.

► Fig.19: 1. Garbage bag hook

Carrying

Carrying handle

Raise the both carrying handles when carrying the appliance with both hands.

► Fig.20

Trolley handle

Raise the trolley handle when carrying the appliance with wheels.

► Fig.21

Shoulder belt

CAUTION: Use the shoulder belt only for carrying the appliance. Do not use for purposes other than carrying the appliance (prevention of dropping at high places, hanging with cranes, dragging, wall hangings, etc.).

CAUTION: Inspect the appliance and shoulder belt for damage (including fabric and stitching). Do not use if damaged.

CAUTION: Make sure the shoulder belt securely attached properly. Otherwise falling accident may occur.

CAUTION: Even when using the shoulder belt, hold the appliance by your hand and keep it level. Carrying the appliance using only the shoulder belt makes it unstable. The shoulder belt may come off or the appliance hit other objects and cause injury.

CAUTION: Do not apply excessive load on the shoulder belt. Otherwise falling accident may occur.

Put the belt through the holes and buckle the belt as shown in the figure.

► Fig.22

MAINTENANCE

⚠ CAUTION: Always be sure that the appliance is switched off, unplugged, and the battery cartridge is removed before attempting to perform inspection or maintenance.

⚠ CAUTION: Do not spray or pour water on the appliance when cleaning. Do not wash with a hose; avoid getting water inside of the appliance.

NOTICE: Never use gasoline, benzine, thinner, alcohol or the like. Discoloration, deformation or cracks may result.

To maintain product SAFETY and RELIABILITY, repairs, any other maintenance or adjustment should be performed by Makita Authorized or Factory Service Centers, always using Makita replacement parts.

Cleaning

- Clean the oil stain in the chamber regularly.
- Clean around the interior of the chamber to prevent odor.
- Clean the dust on the sponge filter regularly to improve the refrigeration efficiency.
- The sealing strip of the upper cover is easy to get dirty, clean it in time.

Defrosting

To defrost, turn off the power and wait until the frost has melted. Then wipe off the water.

Cleaning the sponge filter

⚠ CAUTION: After cleaning the sponge filter, be sure to install it on the appliance. Operating the appliance without the sponge filter may cause malfunction.

1. Slide the filter cover in the direction of the arrow shown in the figure, and then take the filter cover off.
2. Take off the sponge filter, clean the sponge filter.
▶ Fig.23
3. Install the sponge filter and the filter cover back.
▶ Fig.24

OPTIONAL ACCESSORIES

⚠ CAUTION: These accessories or attachments are recommended for use with your Makita appliance specified in this manual. The use of any other accessories or attachments might present a risk of injury to persons. Only use accessory or attachment for its stated purpose.

If you need any assistance for more details regarding these accessories, ask your local Makita Service Center.

- AC adapter
- Makita genuine battery and charger

NOTE: Some items in the list may be included in the appliance package as standard accessories. They may differ from country to country.