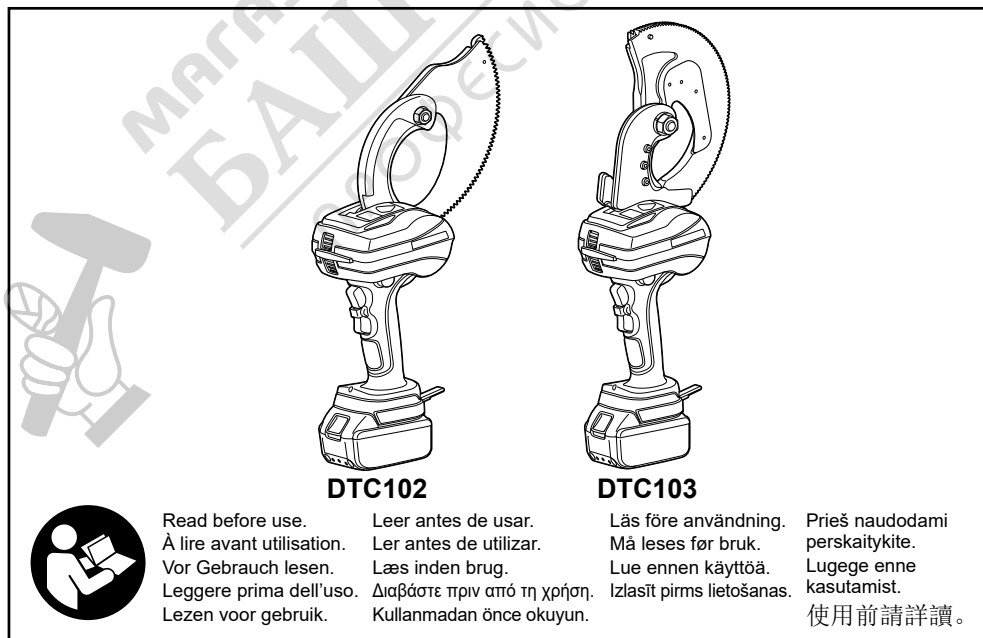


EN	Cordless Cable Cutter	INSTRUCTION MANUAL	2
FR	Coupe câble sans fil	MODE D'EMPLOI	18
DE	Akku-Kabelschneider	BETRIEBSANLEITUNG	34
IT	Tagliacavi a cricchetto a batteria	ISTRUZIONI PER L'USO	51
NL	Snoerloze kabelschaar	GEBRUIKSAANWIJZING	68
ES	Cortadora de Cable Inalámbrica	MANUAL DE INSTRUCCIONES	84
PT	Cortador de Cabo a Bateria	MANUAL DE INSTRUÇÕES	100
DA	Batteridreven kabelsaks	INSTRUKTIONSVEJLEDNING	116
EL	Φορητός κόπτης καλωδίων	ΕΓΧΕΙΡΙΔΙΟ ΟΔΗΓΙΩΝ	132
TR	Akülü Kablo Kesici	KULLANIM KILAVUZU	149
SV	Batteridrivnen kabelklippare	Bruksanvisning	165
NO	Batteridrevet kabelkutter	INSTRUKSJONSHÅNDBOK	181
FI	Akkukaapelileikkuri	KÄYTTÖOPAS	197
LV	Akumulatora kabeļu knaibles	LIETOŠANAS INSTRUKCIJA	213
LT	Akumuliatorinės kabelio kirpimo žirklys	NAUDOTOJO VADOVAS	229
ET	Aku kaablilõikur	KASUTUSJUHEND	245
ZHTW	充電式電纜剪	使用手冊	261



⚠WARNING: Please read and understand all of the instructions and safety information in this operator's guide and instructions. Use for unintended applications may lead to serious injury or death.

- Thank you for purchasing our cordless cable cutter.
- Please read this instruction manual thoroughly and carefully before attempting to use the equipment. After reading this instruction manual, store it in an easily accessible location.
- Description
The mechanical cutters are battery-operated cutters designed to cut cables used in the industry today.

Safety precautions

⚠WARNING: Read all safety warnings and all instructions. Failure to follow the warnings and instructions may result in electric shock, fire and/or serious injury.

Save all warnings and instructions for future reference.

⚠WARNING: The user may be killed or seriously injured if this product is misused.

1) Work area safety

- a) Keep work area clean and well lit. Cluttered or dark areas invite accidents.
- b) Do not operate power tools in explosive atmospheres, such as in the presence of flammable liquids, gases or dust. Power tools create sparks which may ignite the dust or fumes.
- c) Keep children and bystanders away while operating a power tool. Distractions can cause you to lose control.

2) Electrical safety

- a) Power tool plugs must match the outlet. Never modify the plug in any way. Do not use any adapter plugs with earthed (grounded) power tools. Unmodified plugs and matching outlets will reduce risk of electric shock.
- b) Avoid body contact with earthed or grounded surfaces, such as pipes, radiators, ranges and refrigerators. There is an increased risk of electric shock if your body is earthed or grounded.
- c) Do not expose power tools to rain or wet conditions. Water entering a power tool will increase the risk of electric shock.
- d) Do not abuse the cord. Never use the cord for carrying, pulling or unplugging the power tool. Keep cord away from heat, oil, sharp edges or moving parts. Damaged or entangled cords increase the risk of electric shock.

- e) When operating a power tool outdoors, use an extension cord suitable for outdoor use. Use of a cord suitable for outdoor use reduces the risk of electric shock.
- f) If operating a power tool in a damp location is unavoidable, use a residual current device (RCD) protected supply. Use of an RCD reduces the risk of electric shock.

3) Personal safety

- a) Stay alert, watch what you are doing and use common sense when operating a power tool.
Do not use a power tool while you are tired or under the influence of drugs, alcohol or medication. A moment of inattention while operating power tools may result in serious personal injury.
- b) Use personal protective equipment. Always wear eye protection. Protective equipment such as dust mask, non-skid safety shoes, hard hat, or hearing protection used for appropriate conditions will reduce personal injuries.
- c) Prevent unintentional starting. Ensure the switch is in the off-position before connecting to power source and/or battery pack, picking up or carrying the tool. Carrying power tools with your finger on the switch or energising power tools that have the switch on invites accidents.
- d) Remove any adjusting key or wrench before turning the power tool on. A wrench or a key left attached to a rotating part of the power tool may result in personal injury.
- e) Do not overreach. Keep proper footing and balance at all times. This enables better control of the power tool in unexpected situations.
- f) Dress properly. Do not wear loose clothing or jewellery. Keep your hair, clothing and gloves away from moving parts. Loose clothes, jewellery or long hair can be caught in moving parts.
- g) If devices are provided for the connection of dust extraction and collection facilities, ensure these are connected and properly used. Use of dust collection can reduce dust-related hazards.

- h) Do not let familiarity gained from frequent use of tools allow you to become complacent and ignore tool safety principles. A careless action can cause severe injury within a fraction of a second.

4) Power tool use and care

- a) Do not force the power tool. Use the correct power tool for your application. The correct power tool will do the job better and safer at the rate for which it was designed.
- b) Do not use the power tool if the switch does not turn it on and off. Any power tool that cannot be controlled with the switch is dangerous and must be repaired.
- c) Disconnect the plug from the power source and/or the battery pack from the power tool before making any adjustments, changing accessories, or storing power tools. Such preventive safety measures reduce the risk of starting the power tool accidentally.
- d) Store idle power tools out of the reach of children and do not allow persons unfamiliar with the power tool or these instructions to operate the power tool. Power tools are dangerous in the hands of untrained users.
- e) Maintain power tools and accessories. Check for misalignment or binding of moving parts, breakage of parts and any other condition that may affect the power tool's operation. If damaged, have the power tool repaired before use. Many accidents are caused by poorly maintained power tools.
- f) Keep cutting tools sharp and clean. Properly maintained cutting tools with sharp cutting edges are less likely to bind and are easier to control.
- g) Use the power tool, accessories and tool bits etc. in accordance with these instructions, taking into account the working conditions and the working conditions and the work to be performed.
Use of the power tool for operations different from those intended could result in a hazardous situations.
- h) Keep handles and grasping surfaces dry, clean and free from oil and grease. Slippery handles and grasping surfaces do not allow for safe handling and control of the tool in unexpected situations.

5) Battery tool use and care

- a) Recharge only with the charger specified by the manufacturer. A charger that is suitable for one type of battery pack may create a risk of fire when used with another battery pack.
- b) Use power tools only with specifically designated battery packs. Use of any other battery packs may create a risk of injury and fire.
- c) When battery pack is not in use, keep it away from other metal objects, like paper clips, coins, keys, nails, screws or other small metal objects, that can make a connection from one terminal to another. Shorting the battery terminals together may cause burns or a fire.
- d) Under abusive conditions, liquid may be ejected from the battery; avoid contact. If contact accidentally occurs, flush with water. If liquid contacts eyes, additionally seek medical help.

Liquid ejected from the battery may cause irritation or burns.

- e) Do not use a battery pack or tool that is damaged or modified. Damaged or modified batteries may exhibit unpredictable behaviour resulting in fire, explosion or risk of injury.
- f) Do not expose a battery pack or tool to fire or excessive temperature. Exposure to fire or temperature above 130°C may cause explosion.
- g) Follow all charging instructions and do not charge the battery pack or tool outside the temperature range specified in the instructions. Charging improperly or at temperatures outside the specified range may damage the battery and increase the risk of fire.

6) Service

- a) Have your power tool serviced by a qualified repair person using only identical replacement parts. This will ensure that the safety of the power tool is maintained.
- b) Never service damaged battery packs. Service of battery packs should only be performed by the manufacturer or authorized service providers.

Hold the power tool by insulated gripping surfaces, when performing an operation where the fastener may contact hidden wiring. Fasteners contacting a "live" wire may make exposed metal parts of the power tool "live" and could give the operator an electric shock.

Use genuine Makita battery charger and battery pack.

- Use genuine battery pack for this tool.
- Do not charge the battery pack with another battery charger. Failure to observe this may cause a rupture, which may lead to an accident or injury.

Charge the battery pack in a correct way.

- Use a power source with rating indication to connect the battery charger supplied with this product.
- Do not use a DC power source or an engine-driven power generator to charge the battery pack. Failure to observe this may generate excessive heat, which may lead to a fire.
- When the temperature of the ambience, battery pack, or battery charger is less than 0°C or more than 40°C, do not charge the battery pack. Failure to observe this may cause a rupture or a fire.
- When charging the battery pack, select a well-ventilated place for charging.
- Do not cover the battery pack with a cloth during charging. Failure to observe this may cause a rupture or a fire.
- Be sure to disconnect the power plug after charging. Failure to observe this may cause an electric shock or a fire.

Do not point the cutter toward people during use.

- Failure to observe this may lead injury.

Do not short-circuit the terminals on the battery pack.

- When the battery pack is stored alone, be sure to put the terminal cover on the terminal to prevent short circuit. Ensure that the battery terminals will not be shorted by other metal parts such as screws, nails, etc.

Do not subject the battery pack to flames.

- Failure to observe this may cause rupture or leakage of a hazardous material.

Do not use on parts with live electricity.

- The tool is not insulated. Use on electrified locations may lead to electric shock.
- Do not touch the power plug or battery pack with wet hands. Failure to observe this may lead to electric shock.

Remove the battery pack from the body of the tool in the following circumstances.

- When not using or for repair
 - When replacing spare parts
 - Other times when danger is suspected
- Failure to observe these warnings may cause the tool to turn on accidentally and cause injury.

Starting up the tool unexpectedly.

- Ensure that fingers are well away from the trigger when moving the tool. The unexpected start-up of the tool may result in injury.

Use only specified accessories.

- Do not use any accessories other than those indicated in this instruction manual or our catalogue. Failure to observe this may lead to an accident or injury.

Use protective equipment.

- Use safety glasses during operation. If operation is dusty, use a protective mask. When cutting, small pieces may scatter and cause injury.

Do not stare at LED work light.

- It may deteriorate eyesight.

Consider the work environment.

- Do not use the tool, battery charger, or battery pack in the rain, or in a wet or moist place. Failure to observe this may cause an electric shock or smoke.
- Conduct work in a sufficiently bright place. Work in a dark place may cause an accident.
- Do not use or charge the battery in the presence of flammable liquid or gas. Failure to observe this may cause an explosion or a fire.

Keep the workplace always clean.

- Messy places and benches may cause an accident.

Keep children away from the tool.

- Do not let people other than the operators touch the tool and the cord of the battery charger. Keep people away from the workplace. Failure to observe this may cause injury.

When the tool is not used, store it properly.

- Store the tool in a place where humidity is low and also a high place that children cannot reach or a place that can be locked. Failure to observe this may cause an accident.
- Do not store the tool or battery pack in a place where the temperature can rise 40°C or higher (inside a metal box, inside a car in summer, etc.). Failure to observe this may deteriorate the battery pack, which may lead to smoke or ignition.

Do not use the tool in an unreasonable manner.

- Conduct operation in accordance with the capacity of the tool for safe and efficient operation. Use of the tool beyond its capacity may cause an accident.
- Do not use the tool in an unreasonable manner that causes the motor to be locked. Failure to observe this may cause smoke or ignition.

Use a tool suitable for operation.

- Do not use the tool for other than the specified applications. Failure to observe this may cause injury.

Conduct operation with proper clothes.

- Do not wear loose clothes or accessories such as a necklace. Such things may become caught in a moving part, rotating part, or the like.
- When operation is conducted outdoors, use of rubber gloves and non-slip shoes is recommended. Slippery gloves and shoes may cause injury.
- If you have long hair, use a cap or a hair cover to cover your hair. Failure to observe this may cause your hair to become caught in a moving part, rotating part, or the like.

Do not operate the tool with an unnatural posture.

- Keep proper footing all the time, and keep your balance. Failure to observe this may cause you to topple over, which may lead to injury.

Stay alert when you are working with great attention.

- When you use the tool, be careful about the handling method, manner of operation, and surrounding circumstances, and conduct your operation carefully. Failure to observe this may cause an accident or injury.
- Do not operate the tool under the influence of alcohol. Failure to observe this may cause an accident or injury.
- Do not operate the tool when you are in poor physical condition. Failure to observe this may cause an accident or injury.

Do not handle the cord of the battery charger in a rough manner.

- Do not carry the charger by the cord or yank it to disconnect from the socket.
- Keep the cord away from heat, oil, and sharp edges.
- Make sure the charging environment is free from stepping on or tripping over the cord. Failure to observe this may cause an electric shock or a short circuit, which may lead to ignition.

Use an extension cord with outdoor specifications.

- If you use the tool outdoors, use an extension cord made of tough rubber-sheathed cable.

Conduct maintenance of the tool carefully.

- Follow the instruction manual when replacing spare parts. Failure to observe this may cause injury.
- Inspect the cord of the battery charger on a regular basis. If the cord is damaged, ask the authorized service facility for repair. Failure to observe this may cause an electric shock or a short circuit, which may lead to ignition.
- If an extension cord is used, inspect the cord on a regular basis. If the cord is damaged, replace it with a new one. Failure to observe this may cause an electric shock or a short circuit, which may lead to ignition.
- Keep the grip always dry and clean and keep it away from oil and grease. Failure to observe this may cause injury.

Check damaged parts.

- Check that nothing is damaged before use. Confirm that the tool operates normally and all components function properly.
- Check for alignment of moving parts, smooth running of moving parts, breakage of parts, mounting and any other condition that may affect its operation.
- Do not use the battery charger whose power plug or cord is damaged or that was dropped and then damaged. Failure to observe this may cause an electric shock or a short circuit, which may lead to ignition. If damaged, it should be properly repaired or replaced by an authorized service facility unless otherwise indicated in this instruction manual. Have defective switches replaced by an authorized service facility. Do not use the tool if the switch does not turn it on and off. Such tool may operate abnormally, which may lead to injury.

Ask the authorized service facility for repair.

- Do not disassemble, repair, or modify the main unit, battery charger, or battery pack. Failure to observe this may cause ignition or abnormal operation, which may lead to injury.
- If the tool becomes hot or an abnormality is found in the tool, request inspection or repair of the tool.
- This tool is constructed in accordance with the relevant safety requirements. Do not attempt to modify this product.
- Have your tool repaired by an authorized service center. Repairs should only be carried out by a qualified person using original spare parts; otherwise, this may result in considerable danger to the user.

Precautions in using the cordless cable cutter

- When using this tool, follow the instructions as shown below:

Precautions for the tool

- **Never cut anything beyond maximum cutting capacity.**

Exercise caution, as failure to observe this may lead to damage. (see page 17)

- **Do not touch the cutting edge of the movable or fixed blades.**

Failure to observe this may lead to injury.

- **Never cut live wires (electric cables that are conducting electricity).**

- **Do not subject to drops or other excessive impact.**

The internal structure has been precisely manufactured to make it compact and lightweight, so it may not function properly if subjected to impact.

- **Do not use in the rain.**

Doing so may cause the blade to rust and dull the cutting edge or lead to damage.

- **Do not cut excess lengths of 50 mm or less.**

Cutting excess lengths of the ends of CCP and other cables extremely short may cause the insides of the cable, etc. to be cut.

- **Do not apply force against the direction being cut.**

Always cut materials straight on. Failure to observe this may damage the cutter blade.

- **Hold securely.**

Failure to observe this may lead to injury.

- **Make sure no one is below you before using in a high location.**

Failure to observe this may result in an accident should materials or the device be dropped, etc.

- **Check to ensure nothing is abnormal before use.**

Cracks or fractures on the cutter may damage the cutter and lead to injury.

- **Take breaks during use.**

Prolonged cutting without breaks maintains a heightened motor heat that may overheat the motor and battery pack, leading to damage. Make sure to take occasional breaks during use.

- **Low ambient temperatures (10°C or less) may cause the electric cable to harden, making it difficult to cut, even when within the cutting capacity.**

- **Clean with air, etc. after every use.**

Be careful to keep cuttings and other scraps from getting into the unit from the opening (movable blade driver).

- **Do not cut electric cables with 1-mm-diameter wire.**

Failure to observe this may lead to the cutter blade getting caught in the electric cable blade and locking up.

Precautions in using battery pack

- Never short-circuit the terminals.
- Keep the battery pack away from water, oil, and organic solvents.
- Do not disassemble or modify the battery pack.
- If the battery pack is disposed of, do not subject it to flames or dispose of it as general waste. (We promote recycling.)
- Do not throw or drop the battery pack.
- Do not leave the battery pack in a place where the temperature is 40°C or higher for a long time.
- Do not short-circuit the battery by placing dirt or dust on the terminal, as this will lead to malfunction. If the terminal is corroded, do not use the battery pack.
- A protective function that stops the output is equipped to prolong the life of the battery pack. The motor may stop when the remaining battery level is low even while the operation switch is pressed during the use of this tool. However, this phenomenon is caused not by malfunction but by the protective function. In such a case, immediately charge the battery.

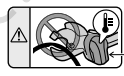
Precautions for the battery charger

- This battery charger has an indicator lamp (multicoloured LED) to show the battery charging state.
- Do not short-circuit the charger by placing dirt or dust into the insertion slot, as this will lead to malfunction. If the metal terminal is corroded, do not use the battery charger.

WARNING SYMBOLS



Before using the tool, carefully read the instructions in this manual.



High-heat warning area

To protect the motor, do not use if the high-heat warning area becomes hot. (see page 15)



Do not touch during operation.

Symbols



Only for EU countries

Due to the presence of hazardous components in the equipment, waste electrical and electronic equipment, accumulators and batteries may have a negative impact on the environment and human health.

Do not dispose of electrical and electronic appliances or batteries with household waste!

In accordance with the European Directive on waste electrical and electronic equipment and on accumulators and batteries and waste accumulators and batteries, as well as their adaptation to national law, waste electrical equipment, batteries and accumulators should be stored separately and delivered to a separate collection point for municipal waste, operating in accordance with the regulations on environmental protection.

This is indicated by the symbol of the crossed-out wheeled bin placed on the equipment.

Noise

The typical A-weighted noise level determined according to EN62841-1:

Sound Pressure level (K=3 dB(A)): 69.5 dB(A)

Sound Power level (K=3 dB(A)): 78.1 dB(A)

NOTE: The declared noise emission value(s) has been measured in accordance with a standard test method and may be used for comparing one tool with another.

NOTE: The declared noise emission value(s) may also be used in a preliminary assessment of exposure.

⚠WARNING: Wear ear protection.

⚠WARNING: The noise emission during actual use of the power tool can differ from the declared value(s) depending on the ways in which the tool is used especially what kind of workpiece is processed.

⚠WARNING: Be sure to identify safety measures to protect the operator that are based on an estimation of exposure in the actual conditions of use (taking account of all parts of the operating cycle such as the times when the tool is switched off and when it is running idle in addition to the trigger time).

Vibration

The vibration total value (tri-axial vector sum) determined according to EN62841-1:

Handle: 0.3 m/s²

Uncertainty (K): 1.5 m/s²

NOTE: The declared vibration total value(s) has been measured in accordance with a standard test method and may be used for comparing one tool with another.

NOTE: The declared vibration total value(s) may also be used in a preliminary assessment of exposure.

⚠WARNING: The vibration emission during actual use of the power tool can differ from the declared value(s) depending on the ways in which the tool is used especially what kind of workpiece is processed.

⚠WARNING: Be sure to identify safety measures to protect the operator that are based on an estimation of exposure in the actual conditions of use (taking account of all parts of the operating cycle such as the times when the tool is switched off and when it is running idle in addition to the trigger time).

Applicable battery cartridge and charger

Battery cartridge	BL1815N / BL1820B / BL1830B / BL1840B / BL1850B / BL1860B
Charger	DC18RC / DC18RD / DC18RE / DC18SD / DC18SE / DC18SF / DC18SH / DC18WC

- Some of the battery cartridges and chargers listed above may not be available depending on your region of residence.
- To charge the battery, please read the instruction manual for the battery charger.

⚠WARNING: Only use the battery cartridges and chargers listed above. Use of any other battery cartridges and chargers may cause injury and/or fire.

Important safety instructions for battery cartridge

1. Before using battery cartridge, read all instructions and cautionary markings on (1) battery charger, (2) battery, and (3) product using battery.
2. Do not disassemble or tamper with the battery cartridge. It may result in a fire, excessive heat, or explosion.
3. If operating time has become excessively shorter, stop operating immediately. It may result in a risk of overheating, possible burns and even an explosion.
4. If electrolyte gets into your eyes, rinse them out with clear water and seek medical attention right away. It may result in loss of your eyesight.
5. Do not short the battery cartridge:
 - (1) Do not touch the terminals with any conductive material.
 - (2) Avoid storing battery cartridge in a container with other metal objects such as nails, coins, etc.
 - (3) Do not expose battery cartridge to water or rain.

A battery short can cause a large current flow, overheating, possible burns and even a breakdown.
6. Do not store and use the tool and battery cartridge in locations where the temperature may reach or exceed 50°C (122°F).
7. Do not incinerate the battery cartridge even if it is severely damaged or is completely worn out. The battery cartridge can explode in a fire.
8. Do not nail, cut, crush, throw, drop the battery cartridge, or hit against a hard object to the battery cartridge. Such conduct may result in a fire, excessive heat, or explosion.
9. Do not use a damaged battery.
10. The contained lithium-ion batteries are subject to the Dangerous Goods Legislation requirements.

For commercial transports e.g. by third parties, forwarding agents, special requirement on packaging and labeling must be observed.

For preparation of the item being shipped, consulting an expert for hazardous material is required. Please also observe possibly more detailed national regulations.

Tape or mask off open contacts and pack up the battery in such a manner that it cannot move around in the packaging.

11. When disposing the battery cartridge, remove it from the tool and dispose of it in a safe place. Follow your local regulations relating to disposal of battery.
12. Use the batteries only with the products specified by Makita. Installing the batteries to non-compliant products may result in a fire, excessive heat, explosion, or leak of electrolyte.
13. If the tool is not used for a long period of time, the battery must be removed from the tool.
14. During and after use, the battery cartridge may take on heat which can cause burns or low temperature burns. Pay attention to the handling of hot battery cartridges.
15. Do not touch the terminal of the tool immediately after use as it may get hot enough to cause burns.
16. Do not allow chips, dust, or soil stuck into the terminals, holes, and grooves of the battery cartridge. It may cause heating, catching fire, burst and malfunction of the tool or battery cartridge, resulting in burns or personal injury.
17. Unless the tool supports the use near high-voltage electrical power lines, do not use the battery cartridge near high-voltage electrical power lines. It may result in a malfunction or breakdown of the tool or battery cartridge.
18. Keep the battery away from children.

SAVE THESE INSTRUCTIONS.

⚠CAUTION:

- Only use genuine Makita batteries.

Use of non-genuine Makita batteries, or batteries that have been altered, may result in the battery bursting causing fires, personal injury and damage. It will also void the Makita warranty for the Makita tool and charger.

Tips for maintaining maximum battery life

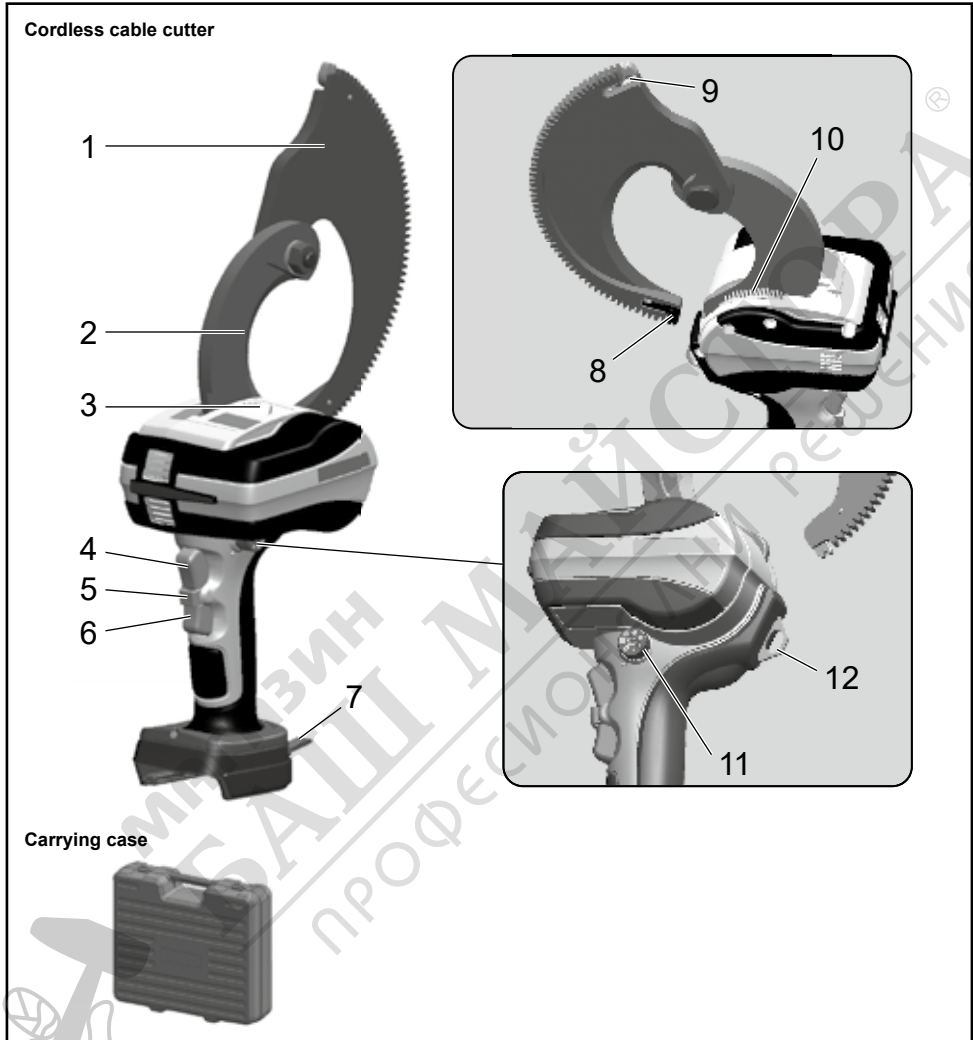
1. Charge the battery cartridge before completely discharged. Always stop tool operation and charge the battery cartridge when you notice less tool power.
2. Never recharge a fully charged battery cartridge. Overcharging shortens the battery service life.
3. Charge the battery cartridge with room temperature at 10°C - 40°C (50°F - 104°F). Let a hot battery cartridge cool down before charging it.
4. When not using the battery cartridge, remove it from the tool or the charger.
5. Charge the battery cartridge if you do not use it for a long period (more than six months).



МАГАЗИН
БАШ МАЙСТОРА®
ПРОФЕСИОНАЛНИ РЕШЕНИЯ

Names and accessories

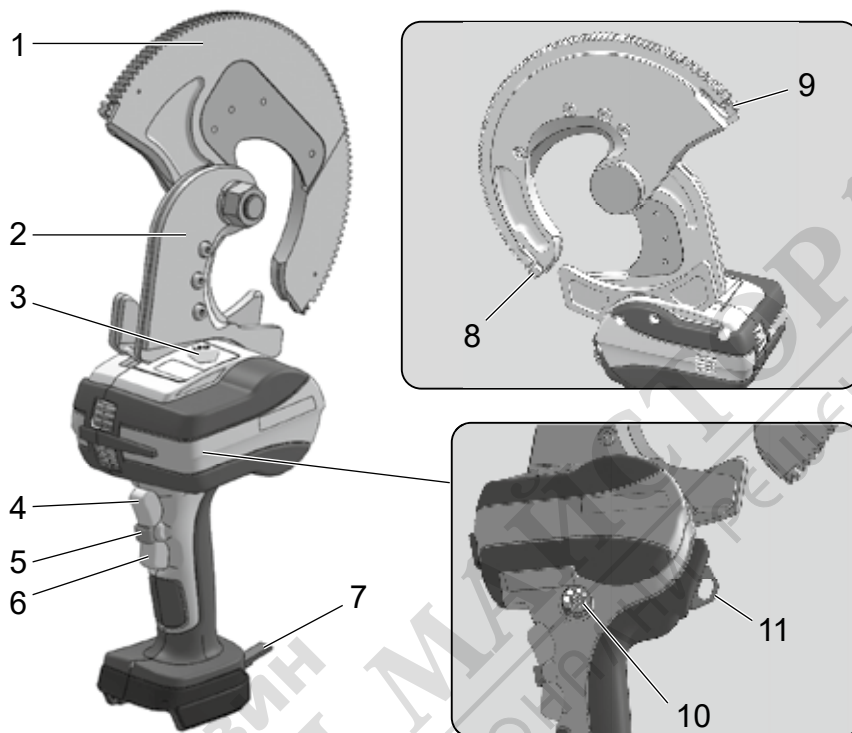
DTC102



* This tool is designed for the Makita 18V lithium ion battery.

1	Moving blade	7	Hanging strap
2	Stationary blade	8	Gear guide (A)
3	LED work light	9	Gear guide (B)
4	Forward-mode switch	10	Brush (for dusting)
5	Switch lock	11	Dial knob
6	Reverse-mode switch	12	Hanging ring

Cordless cable cutter



Carrying case



* This tool is designed for the Makita 18V lithium ion battery.

1	Moving blade	7	Hanging strap
2	Stationary blade	8	Gear guide (A)
3	LED work light	9	Gear guide (B)
4	Forward-mode switch	10	Dial knob
5	Switch lock	11	Hanging ring
6	Reverse-mode switch	—	—

Battery

Battery

- At the time of purchase, the battery protection function may be activated due to the battery not being sufficiently charged. (Please be careful because this product may start operating if you operate the switch.) Correctly charge the battery with the rapid charger before use.
- Attach the battery cover when not using the product. It will help protect the battery from water and dust.
- When not using the product for a long period, store it with the battery removed.

To increase the life of the battery

- When you sense that the force of the tool has become weak, stop use and charge the battery.
- Do not recharge a battery that is fully charged.
- Charge the battery in an ambient temperature range of 10°C to 40°C.
- When the battery has become hot such as immediately after use, we recommend inserting it into the charger to cool and charge it.
- When a lithium-ion battery will not be used for a long period of time (at least 6 months), we recommend charging and then storing it.

Battery collection

- Used batteries are collected for recycling. Please take the battery to the store where you purchased the product or a Makita sales office.



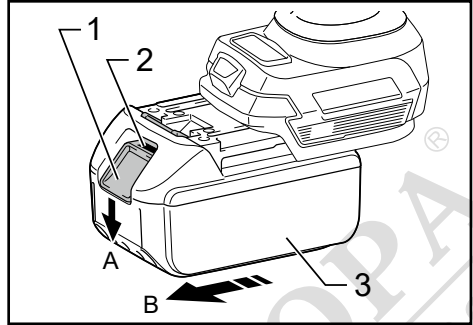
Recycle the lithium-ion battery

How to attach and detach the battery

⚠WARNING:

Insert the battery into the product properly. If the red part at the top of the button is visible, the battery is not fully locked into place. Firmly insert the battery until all of the red part cannot be seen.

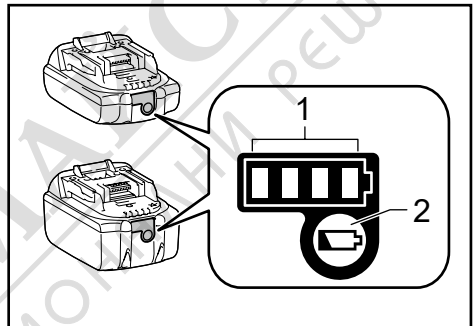
- If the battery is not inserted sufficiently, it may detach and cause an accident.
- To detach the battery from this product, A. hold down the button on the battery front and B. slide the battery to remove it.
- When attaching the battery, align the battery with the grooves in the product and then insert it all the way by performing the procedure in reverse. If the red part at the top of the button is visible at this time, the battery is not fully locked into place. Insert the battery properly all the way until all of the red part cannot be seen.



► 1. Button 2. Red part 3. Battery

Indicating the remaining battery capacity

Only for battery cartridges with an indicator



► 1. Indicator lamps 2. Check button

Press the check button on the battery cartridge to indicate the remaining battery capacity. The indicator lamps light up for a few seconds.

Indicator lamps			Remaining capacity
Lighted	Off	Blinking	
■ ■ ■ ■			75% to 100%
■ ■ ■ □			50% to 75%
■ ■ □ □			25% to 50%
■ □ □ □			0% to 25%
▣ □ □ □			Charge the battery.
■ ■ □ □			The battery may have malfunctioned.
□ □ ■ ■			

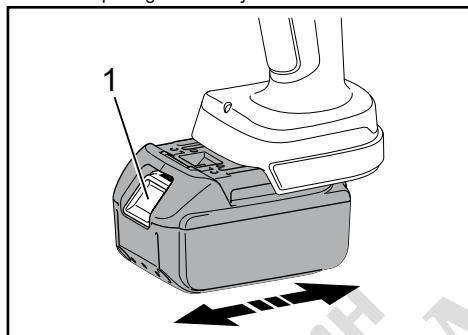
NOTE: Depending on the conditions of use and the ambient temperature, the indication may differ slightly from the actual capacity.

NOTE: The first (far left) indicator lamp will blink when the battery protection system works.

How to use the tool

Attaching the battery pack

1. While pressing the latch, pull out the battery pack. To replace the battery pack, push the new pack firmly into place.
2. After sliding a battery pack on, check if it is securely in place by pulling it gently. Do not press the latch when pulling the battery.

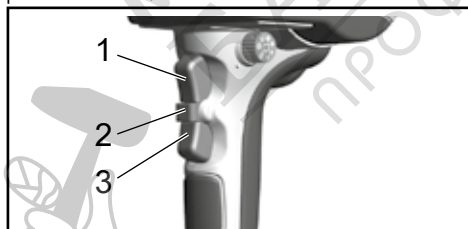


► 1. Latch

Switch operations

For safety purposes, the tool has a two-action switch system.

To activate the forward-mode (cutting) and reverse-mode (reverse) switch, first press the switch lock and then press the forward/reverse-mode switch.



► 1. Forward-mode switch 2. Switch lock
3. Reverse-mode switch

Work assistance LED lamp

This tool has an LED lamp that illuminates the periphery of the cutter blade. It illuminates when either the forward or reverse switch is on, then turns off approximately 10 seconds after the switch is released.

CAUTION:

- Do not look directly into the LED lamp. Looking at the LED lamp for an extended period of time may hurt your eyes.

Low battery alarm

If the remaining capacity of the battery is low, the LED light blinks 5 times as an alarm when the forward-mode switch is turned on. Charge the battery or replace with a spare.

Cutting operations

1. [DTC102, DTC103]
Activate the switch to open the moving blade. Use the forward- and reverse-mode switches to set the moving blade to neutral.

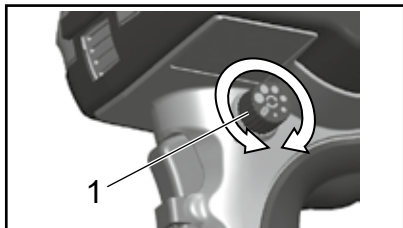
DTC102



DTC103



- Using the dial knob to enable or disable auto reverse
Move the dial to the desired position to enable auto reverse, or move it to off to disable.

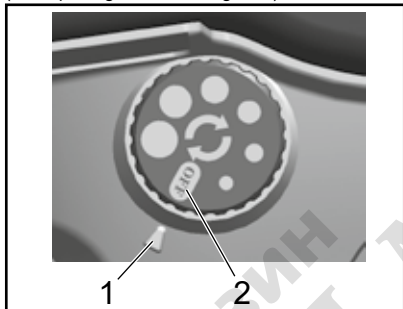


► 1. Dial knob

The auto reverse function

When auto reverse is enabled, the motor brakes after cutting a cable. Once the forward-mode switch is released, the moving blade automatically returns as set by the dial knob.

The opening can be adjusted between 6 levels.
(The opening amount is a guide.)



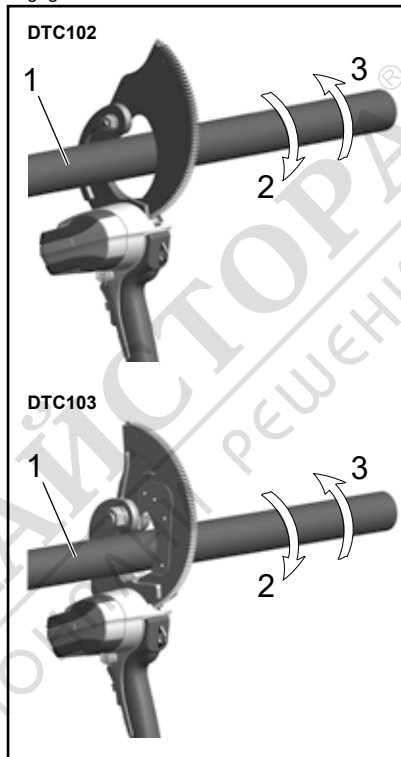
► 1. Opening amount 2. Off

⚠ CAUTION:

- Auto reverse does not activate if the forward-mode switch is released before complete cutting.
- Auto reverse does not activate with fine electric cable of 60 mm² or less.
- The opening diameter may differ depending on the remaining battery voltage.

- [DTC102, DTC103]
Inserting electric cable into the moving blade opening

Place the cable to be cut onto the stationary blade, and close the moving blade around the cable. Feed the moving blade by hand so that the gear teeth engage the drive mechanism of the unit.



► 1. Cable 2. Cutting rotation
3. Reverse rotation

- Operating the forward-mode switch and cutting electric cable
Hold down the forward-mode switch until cutting is complete.
- Removing debris after cutting.
After you are finished cutting, remove any scraps or debris on the blade.

⚠ CAUTION:

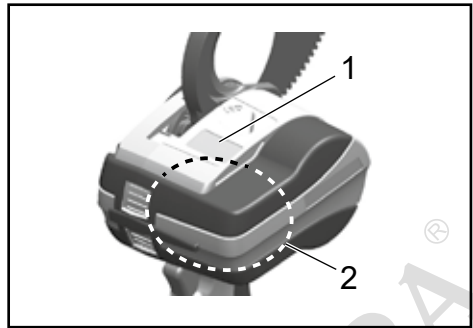
• **Prolonged operation**

To protect the motor, stop using the tool when the area around the caution label becomes hot. To continue using the tool, place the tool for 50 minutes in a cool and well-ventilated place until it cools off.

- **The overcurrent/overloading protection may also be activated even when operating the tool within the cutting capacity.**

The operating temperature, cable length, and bend and other factors affect the performance of the tool.

- **If the LED light blinks 6 times or more, it is a circuit board error display. Please contact your dealer.**



► 1. Caution Label 2. High-heat warning area

⚠ CAUTION:

- **DTC102 is for copper and aluminum cables only. Do not use DTC102 for steel, ACSR, or other steel materials.**

The overcurrent protection function

If overload current applies due to cutting cable outside specification, the overcurrent protection function activates and stops the motor. To recover, release the forward-mode switch.

Replacing with spare parts

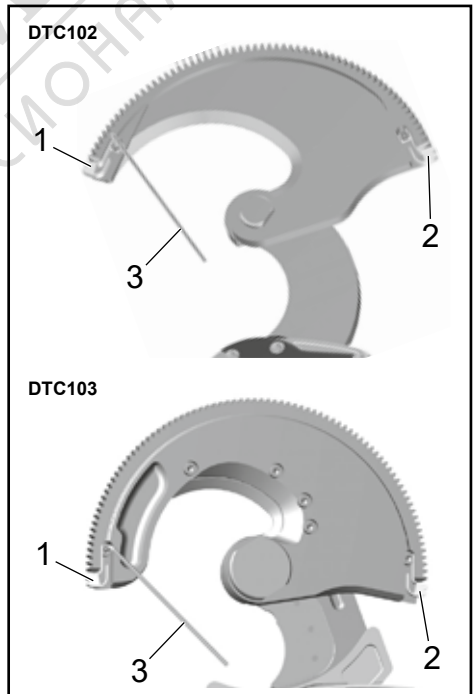
To replace the gear guide by yourself, follow the procedure below.

⚠ CAUTION:

- **Make sure to remove the battery pack from the main unit before replacing the gear guide.**
- **If the gear guide is damaged or produces an abnormal noise, replace it immediately. Continuing to use the product with a damaged gear guide could cause damage to the internal gears.**

Replacing the gear guide

1. **Removing the gear guide**
Use a hex key to unscrew the bolt with hexagonal hole (M3 × 3) and remove the gear guide.
2. **Mounting the gear guide**
Mount the new gear guide and tighten the bolt securely.



► 1. Gear guide (A) 2. Gear guide (B) 3. Hex key

Replacing with spare parts (DTC103)

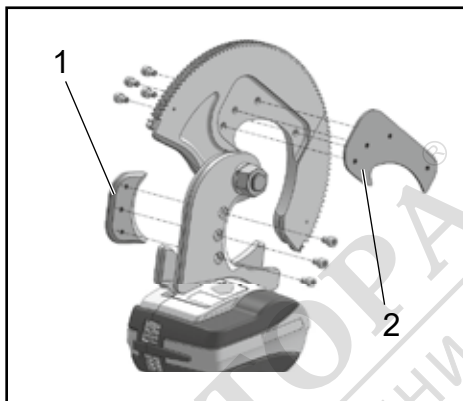
To replace the blade by yourself, follow the procedure below.

⚠ CAUTION:

- Make sure to remove the battery pack from the main unit before replacing the blade.

Replacing the blade

1. Remove the bolts from the moving frame or stationary frame.
2. Replace the blade with a new one and screw in the bolts.

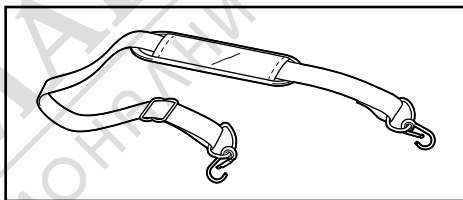


► 1. Replacing blade 2. Replacing blade

Optional accessories

• Shoulder belt (161347-8)

This shoulder strap is used by connecting the hanging strap of this tool.



Maintenance/Inspection

- Be aware that neglect of daily maintenance/inspection may cause a malfunction of the tool.
- Please avoid storing the tool in a humid environment for smooth operation of the tool and prevention of rust.
- If the tool is damaged during normal use (10,000 operations or more, 1,000 cuts or more), do not resume operation simply after replacing only the damaged part, as it has reached the end of its life.
- When a resin part becomes dirty, use a soft cloth dampened with soapy water to wipe it.
- When the battery pack is stored alone, be sure to put the accessory terminal cover on the terminal to prevent short circuit.
- For safety inspection, we recommend submitting the tool to the manufacturer about once every two years (fee incurred). Contact your dealer for details.
- The moving blade and the stationary blade are consumable parts. Those parts are not covered by the warranty.

Specifications

Cordless cable cutter	DTC102		DTC103
Maximum cuttable diameter	Non-ferrous materials only (AL or Cu)	Cu Strand	ACSR AL550 mm ² /ST70 mm ²
	φ 65 mm	φ 47 mm	
Electric motor	DC motor		
Dimensions	117 (D) × 357 (H) × 228 (W) (mm)		117 (D) × 356 (H) × 240 (W) (mm)
Weight	2.8 kg		4.8 kg

⚠ CAUTION:

- DTC102 is for copper and aluminum cables only. Do not use DTC102 for steel, ACSR, or other steel materials.

Declarations of Conformity

For European countries only

The Declarations of conformity are included in Annex A to this instruction manual.

