



GE-CT 18 Li Kit



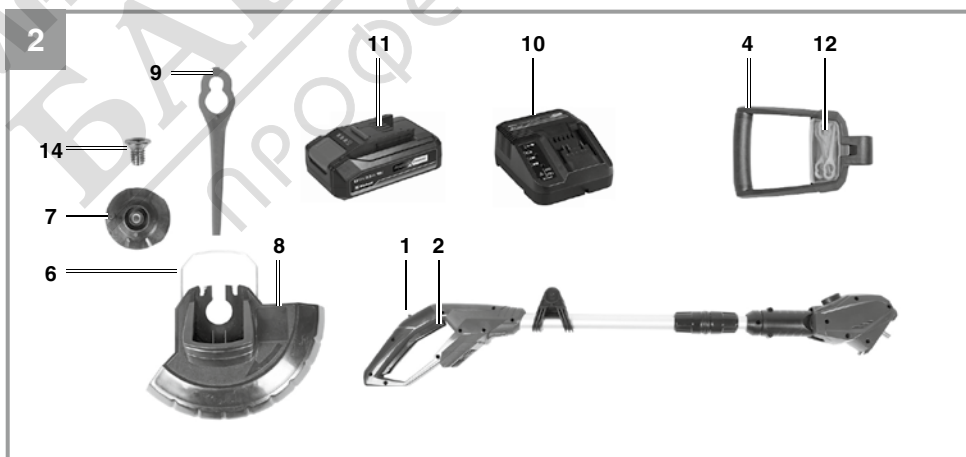
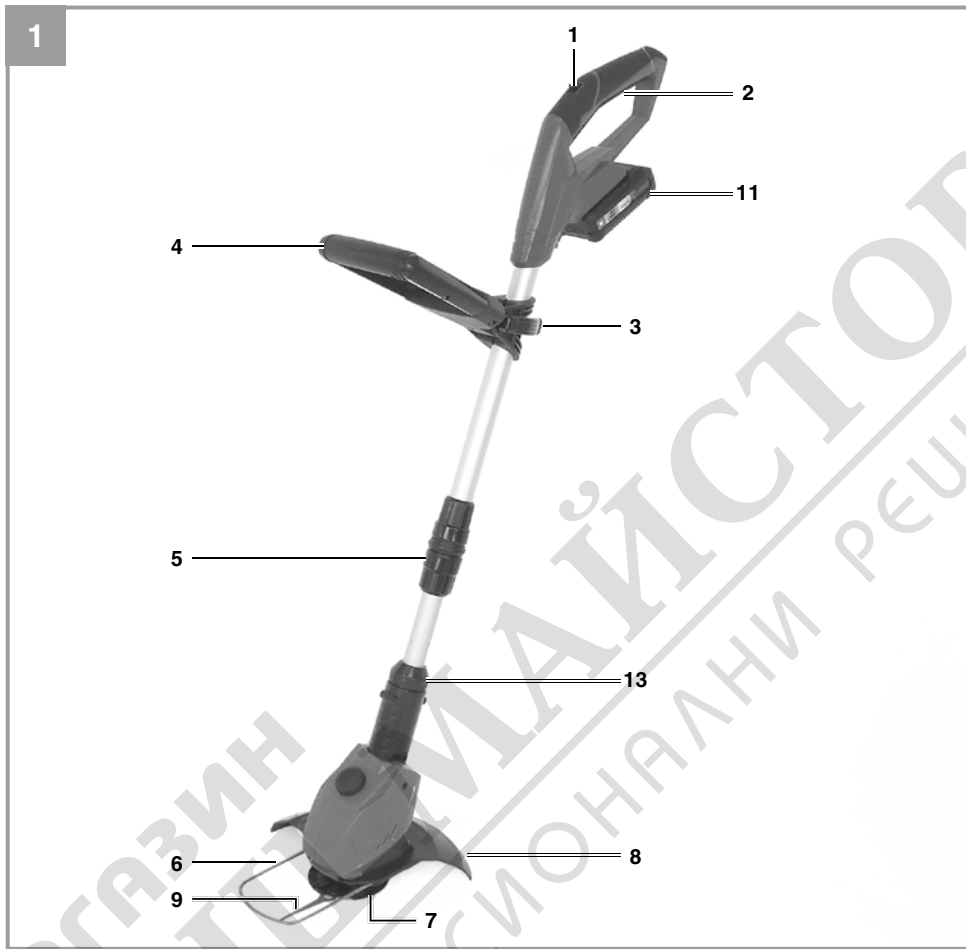
D	Originalbetriebsanleitung Akku-Rasentrimmer	FIN	Alkuperäiskäyttöohje Akkukäyttöinen ruohotrimmari
GB	Original operating instructions Cordless grass trimmer	SLO	Originalna navodila za uporabo Baterijska kosilnica za travo
F	Instructions d'origine Coupe-bordure a accumulateur	H	Eredeti használati utasítás Akku- pázsittrimmer
I	Istruzioni per l'uso originali Trimmer a batteria	RO	Instrucțiuni de utilizare originale Trimmer pentru gazon cu acumulator
DK/ N	Original betjeningsvejledning Batteridreven græstrimmer	GR	Πρωτότυπες Οδηγίες χρήσης Μηχανή μπορντούρας χορτού μπαταρίας
S	Original-bruksanvisning Batteridreven grästrimmer	P	Manual de instruções original Roçador de relva sem fio
CZ	Originální návod k obsluze Akumulátorová strunová sekačka	HR/ BIH	Originalne upute za uporabu Akumulatorski trimer za travnjak
SK	Originálny návod na obsluhu Akumulátorová strunová kosačka	RS	Originalna uputstva za upotrebu Akumulatorski trimer za travnjak
NL	Originele handleiding Accugazontrimmer	PL	Instrukcja oryginalną Akumulatorowa podkaszarka do trawy
E	Manual de instrucciones original Recortadora de césped de batería	TR	Orijinal Kullanma Talimatı Şarjlı misinalı çim biçme makinası

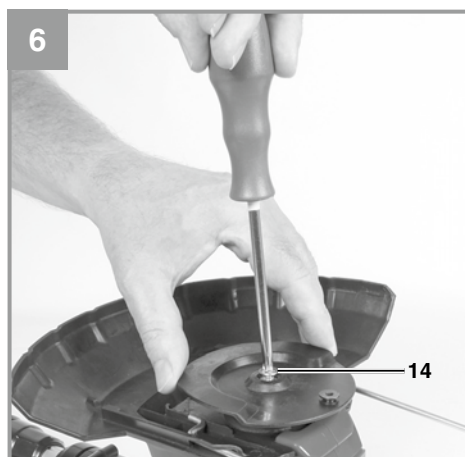
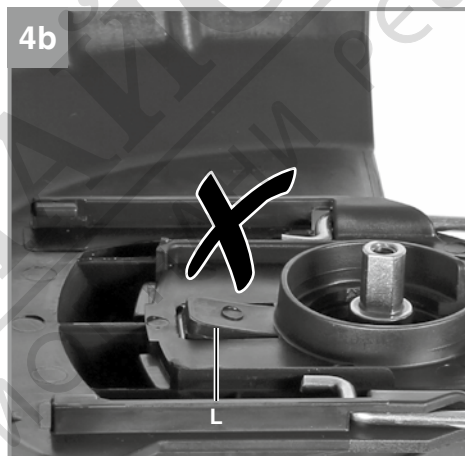
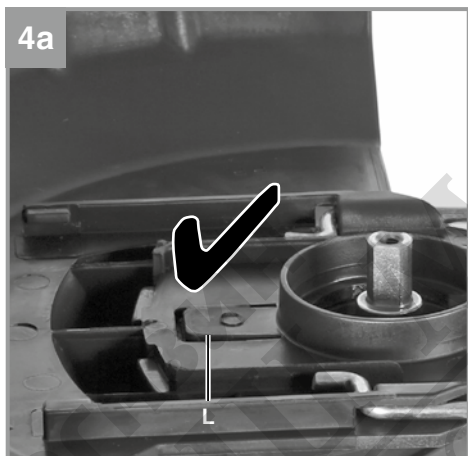
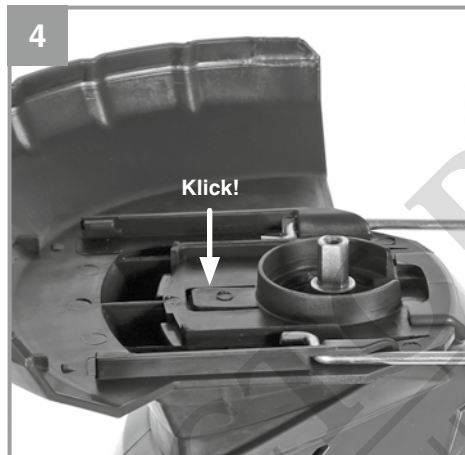
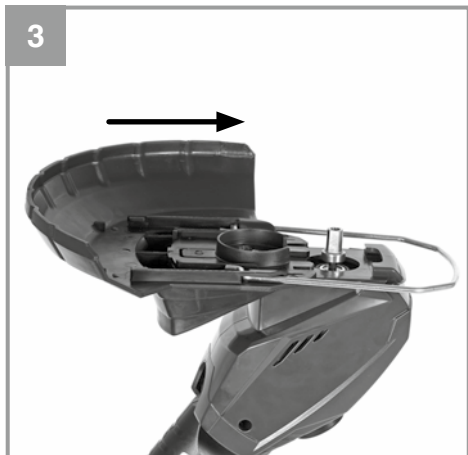
13

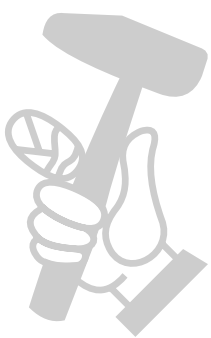
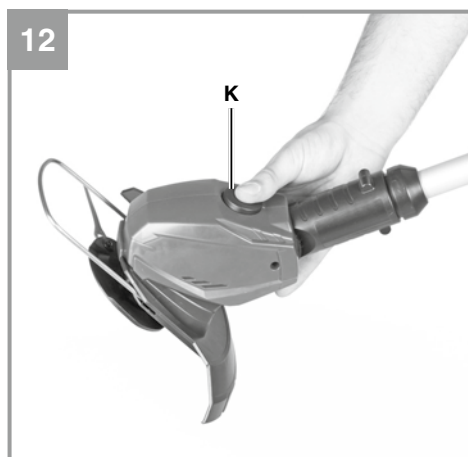
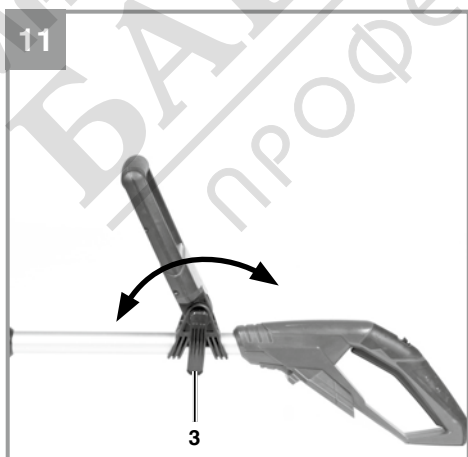
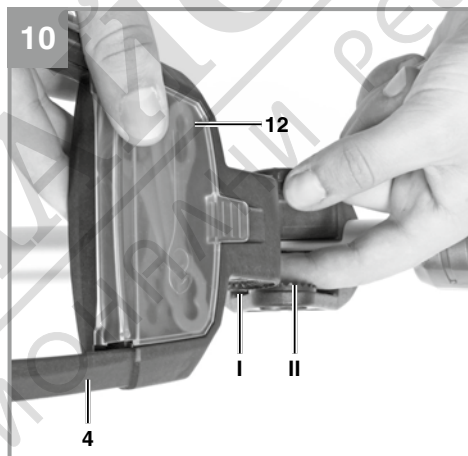
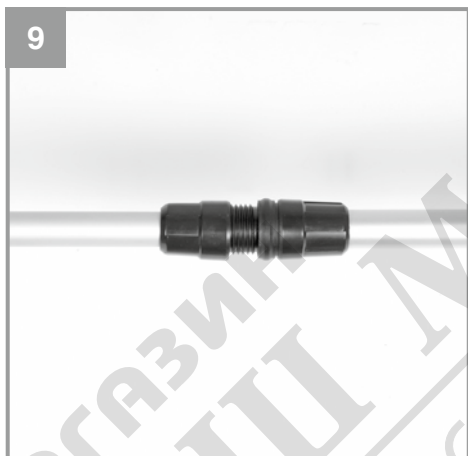
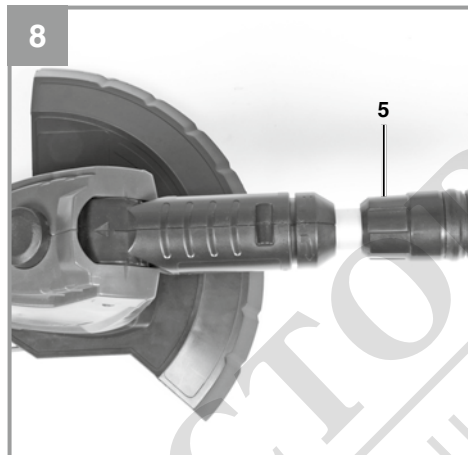
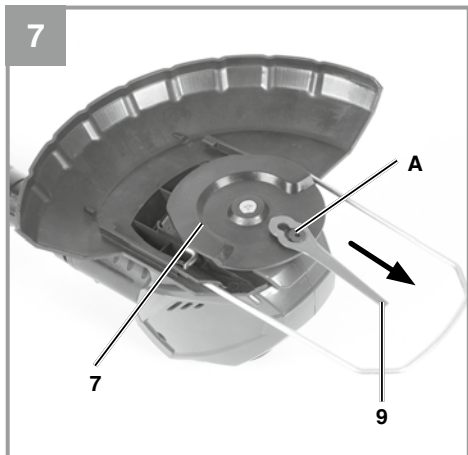


Art.-Nr.: 34.112.19 (1x 2,5 Ah)

I.-Nr.: 21024







Danger!

When using equipment, a few safety precautions must be observed to avoid injuries and damage. Please read the complete original operating instructions and safety information with due care. Keep these operating instructions in a safe place so that the information is available at all times. If you give the equipment to any other person, hand over these original operating instructions and the safety information as well. We cannot accept any liability for damage or accidents which arise due to failure to follow these instructions and the safety information.

Explanation of the warning signs on the equipment (see Fig. 24)

1. Warning!
2. Wear goggles and ear muffs!
3. Protect from moisture!
4. Read the instruction manual before starting!
5. Keep other people out of the danger area!
6. The equipment continues to rotate!

1. Safety information

For the relevant safety information please refer to the booklet included in delivery.

Warning!

Read all the safety information, instructions, illustrations and technical data provided on or with this power tool. Failure to adhere to the following instructions may result in electric shock, fire and/or serious injury.

Keep all the safety information and instructions in a safe place for future use.

2. Layout and items supplied**2.1 Layout (Fig. 1/2)**

1. Safety lock-off
2. On/Off switch
3. Catch for turning the handle
4. Additional handle
5. Height adjustment (union nut)
6. Edge guide
7. Blade head
8. Safety hood
9. Blade
10. Charging unit
11. Battery
12. Compartment for spare blades
13. Lock for rotatable motor head

14. Fastening screw

2.2 Items supplied

Please check that the article is complete as specified in the scope of delivery. If parts are missing, please contact our service center or the sales outlet where you made your purchase at the latest within 5 working days after purchasing the product and upon presentation of a valid bill of purchase. Also, refer to the warranty table in the service information at the end of the operating instructions.

- Open the packaging and take out the equipment with care.
- Remove the packaging material and any packaging and/or transportation braces (if available).
- Check to see if all items are supplied.
- Inspect the equipment and accessories for transport damage.
- If possible, please keep the packaging until the end of the guarantee period.

Danger!

The equipment and packaging material are not toys. Do not let children play with plastic bags, foils or small parts. There is a danger of swallowing or suffocating!

- Trimmer
- Guard hood
- Battery
- Charging unit
- Additional handle with spare blades
- Original operating instructions
- Safety information

3. Intended use

The equipment is designed for cutting lawns and small areas of grass in private and hobby gardens.

Equipment designed for use in private and hobby gardens is regarded as unsuitable for use in public facilities, parks and sports centers, along roadways, or in agriculture and forestry. The operating instructions as supplied by the manufacturer must be kept and referred to in order to ensure that the equipment is properly used and maintained.

Important. This equipment must not be used for composting purposes (shredding) as this could result in injury or damage to property.

The equipment may be used only for the tasks it is designed to handle. Any other use is deemed to be a case of misuse. The user/operator and not the manufacturer will be liable for any damage or injuries of any kind resulting from such misuse.

Please note that our equipment has not been designed for use in commercial, trade or industrial applications. Our warranty will be voided if the equipment is used in commercial, trade or industrial businesses or for equivalent purposes.

4. Technical data

Speed n_0	8,500 min ⁻¹
Cutting circle	Ø 24 cm
Protection class	III
L_{WA} sound power level	88.1 dB (A)
K uncertainty	2,2 dB
L_{pA} sound pressure level	68.1 dB (A)
K uncertainty	3 dB
Vibration	5.8 m/s ²
K uncertainty	2.3 m/s ²
Weight	2.2 kg
Sound pressure level at the operator's ear	78 dB(A)
K uncertainty	3 dB

Power-X-Change lithium-ion rechargeable battery

Voltage:	18 V DC
Capacity:	2.5 Ah
Number of cells:	5

Important!

The equipment is allowed to be used only with the lithium-ion rechargeable batteries of the Power-X-Change series!

Charging unit

Mains voltage	200-250 V ~ 50-60 Hz
---------------------	----------------------

Output

Rated voltage	20 V d. c.
Rated current	3000 mA

Important!

The charging unit is allowed to be used only for the lithium-ion batteries of the Power-X-Change series!

The machine may exceed 85 dB (A). The operator will require noise protection measures if this is the case. The noise was measured in accordance with EN ISO 11201: 2010 and EN ISO 3744: 2010. The value of the vibrations emitted by the handle was determined in accordance with EN 28662-1: 1992.

Important.

The vibration value changes according to the area of application of the electric equipment and may exceed the specified value in exceptional circumstances.

Reduce noise generation and vibration to a minimum!

- Use only equipment that is in perfect condition.
- Maintain and clean the equipment regularly.
- Adapt your way of working to the equipment.
- Do not overload the equipment.
- Have the equipment checked if necessary.
- Switch off the equipment when not in use.
- Wear gloves.

Caution!

Residual risks

Even if you use this electric power tool in accordance with instructions, certain residual risks cannot be ruled out. The following hazards may arise in connection with the equipment's construction and layout:

1. Lung damage if no suitable protective dust mask is used.
2. Damage to hearing if no suitable ear protection is used.
3. Health damage caused by hand-arm vibrations if the equipment is used over a prolonged period or is not properly guided and maintained.

5. Before putting into operation

5.1 Fitting the safety hood (Fig. 3-4)

Push the guard hood (Fig. 1/Item 8) in the direction of the arrow onto the motor housing as shown in Fig. 3. Make sure that it latches in place correctly! The tab (Fig. 4a / Item L) will snap securely into place (Fig. 4) in the housing with an audible click. Only in this position is the guard hood fitted correctly and the equipment allowed to be used. If the tab does not snap into place and projects upwards (Fig. 4b / Item L), the guard hood must

be pushed further forward. If the guard hood is not fitted correctly (latched in place), it will get damaged during operation.

5.2 Fitting the blade head (Fig. 5 – 6)

Fit the blade head (Item 7) onto the mounting shaft and fasten it with the screw (Item 14).

5.3 Inserting the blade (Fig. 7)

Place the larger opening of the blade (Item 9) in the blade mount (A) on the blade head (Item 7) and pull it outwards in the direction of the arrow until the blade clicks into place as shown in Fig. 22.

5.4 Height adjustment (Fig. 8)

Undo the union nut (Item 5) until the grass trimmer handle can be moved in and out freely. Now set the required working height (Fig. 9) and secure the handle in this position by tightening the union nut again.

5.5 Fitting the additional handle (Fig. 10)

Fit the additional handle to the mount provided, paying attention to the teeth (Item I & II). Then secure the additional handle with the help of the screw and the adjustment lock provided. Make sure that the compartment for the spare blades faces the top of the equipment.

5.6 Adjusting the additional handle (Fig. 11)

Undo the adjustment lock (Item 3) for the additional handle until it can be moved forwards and backwards without any great resistance. Set the required position and tighten the securing screw again.

5.7 Adjusting the angle of tilt of the guide handle (Fig. 12)

Press the button for the angle of tilt adjustment (Item K). Now you can set the long handle to the required tilt. Release the button and allow the handle to lock into position to fix the angle of tilt. Three different locking angles are possible.

5.8 Installing the battery (Fig. 13/14)

Press the side pushlock buttons of the battery pack as shown in Fig. 13 and push the battery pack into the mount provided. When the battery pack is positioned as in Fig. 14, make sure that the pushlock buttons latch in place! To remove the battery pack, proceed in reverse order.

5.9 Charging the battery (Fig. 15)

1. Take the battery pack out of the equipment. Do this by pressing the pushlock button.
2. Check that your mains voltage is the same as that marked on the rating plate of the battery charger. Insert the power plug of the charger (10) into the mains socket outlet. The green LED will then begin to flash.
3. Insert the battery pack (11) into the battery charger (10).
4. In section „Charger indicator“ you will find a table with an explanation of the LED indicator on the charger.

The battery pack can become a little warm during the charging. This is normal. If the battery pack fails to charge, check:

- whether there is voltage at the socket outlet
- whether there is good contact at the charging contacts

If the battery pack still fails to charge, send

- the charging unit
 - and the battery pack
- to our customer service center.

To ensure that items are properly packaged and delivered when you send them to us, please contact our customer service or the point of sale at which the equipment was purchased.

When shipping or disposing of batteries and cordless tools, always ensure that they are packed individually in plastic bags to prevent short circuits and fires.

To ensure that the battery pack provides long service, you should take care to recharge it promptly. You must recharge the battery pack when you notice that the performance of the device drops. Never allow the battery pack to become fully discharged. This will cause it to develop a defect.

5.10 Battery capacity indicator (Fig. 16)

Press the button for the battery capacity indicator (Item C). The battery capacity indicator (Item B) shows the charge status of the battery using 3 LEDs.

All 3 LEDs are lit:

The battery is fully charged.

2 or 1 LED(s) are lit:

The battery has an adequate remaining charge.

1 LED flashes:

The battery is empty, recharge the battery.

All LEDs blink:

The battery temperature is too low. Remove the battery from the equipment, keep it at room temperature for one day. If the fault reoccurs, this means that the rechargeable battery has undergone exhaustive discharge and is defective. Remove the battery from the equipment. Never use or charge a defective battery.

6. Operation

To obtain maximum performance from your grass trimmer, please follow these instructions:

- Never use the grass trimmer without the guard.
- Do not mow grass when it is wet. The best results are achieved with dry grass.
- To switch on your grass trimmer, press the safety lock-off (Fig. 2 / Item 1) and the On/Off switch (Fig. 2 / Item 2).
- To switch off your grass trimmer, let go of the On/Off switch again (Fig. 2 / Item 2).
- Do not allow the grass trimmer near the grass until the switch is pressed, i.e. the grass trimmer is in operation.
- To cut properly, swing the machine sideways while moving forwards. Keep the grass trimmer inclined at an angle of approx. 30° while you do so (see Figs. 17 and 18).
- If the grass is long, the grass must be cut shorter in stages, starting from the tip (see Fig. 19).
- Use the guard hood to prevent unnecessary wear.
- To avoid unnecessary wear, keep the grass trimmer away from hard objects.
- To use the edge guide along walls or objects, pull the edge guide (Fig. 23 / Item 6) forward over the latching point. Push it into the guard hood when not in use. Make sure that you push it over the latching point when you do so.

Using the grass trimmer as an edge trimmer

To cut the edges of lawns and flower beds, the grass trimmer can be converted as follows:

- Remove the battery pack
- Pull the lock for the rotatable motor head in the direction of the arrow as shown in Fig. 20.
- Turn the motor head through 90° in the requi-

red direction until it latches in place (Fig. 21).

- Now you have converted the grass trimmer to an edge trimmer for cutting the lawn vertically.
- To convert the equipment back to its original state, proceed in reverse order.

7. Cleaning, maintenance and ordering of spare parts**Danger!**

Before putting away or cleaning the grass trimmer, switch off and remove the battery pack.

7.1 Cleaning

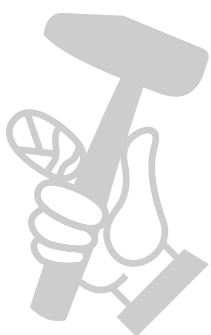
- Keep all safety devices, air vents and the motor housing free of dirt and dust as far as possible. Wipe the equipment with a clean cloth or blow it down with compressed air at low pressure.
- We recommend that you clean the equipment immediately after you use it.
- Clean the equipment regularly with a damp cloth and some soft soap. Do not use cleaning agents or solvents; these may be aggressive to the plastic parts in the equipment. Ensure that no water can get into the interior of the equipment. The ingress of water into an electric tool increases the risk of an electric shock.
- Use a brush to remove deposits from the safety guard.

7.2 Replacing the blade**IMPORTANT! Be sure to remove the battery pack before replacing!**

- To remove the blade, push the blade inwards and remove it through the larger opening as shown in Fig. 22.
- To fit the new blade, proceed in reverse order (Fig. 7). Make sure that it clicks into place.

7.3 Maintenance

There are no other parts inside the equipment which require maintenance.



7.4 Ordering spare parts

Please provide the following information on all orders for spare parts:

- Model/type of the equipment
- Article number of the equipment
- ID number of the equipment
- Spare part number of the required spare part

For our latest prices and information please go to www.Einhell-Service.com

8. Disposal and recycling

The equipment is supplied in packaging to prevent it from being damaged in transit. The raw materials in this packaging can be reused or recycled. The equipment and its accessories are made of various types of material, such as metal and plastic. Defective components must be disposed of as special waste. Ask your dealer or your local council.

9. Storage

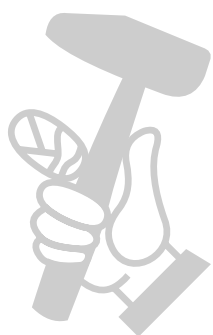
Remove the rechargeable battery.

Store the equipment and accessories in a dark and dry place at above freezing temperature. The ideal storage temperature is between 5 and 30 °C. Store the electric tool in its original packaging.

10. Faults

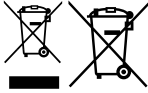
The equipment does not work:

Check that the battery is charged and whether the charging unit is working. If the equipment will not work in spite of the voltage supply being OK, please send it to the customer service address below.



11. Charger indicator

Indicator status		Explanations and actions
Red LED	Green LED	
Off	Flashing	<p>Ready for use The charger is connected to the mains and is ready for use; there is no battery pack in the charger</p>
On	Off	<p>Charging The charger is charging the battery pack in quick charge mode. The charging times are shown directly on the charger. Important! The actual charging times may vary slightly from the stated charging times depending on the existing battery charge.</p>
Off	On	<p>The battery is charged and ready for use. (READY TO GO) The unit then changes over to gentle charging mode until the battery is fully charged. To do this, leave the rechargeable battery on the charger for approx. 15 minutes longer. Action: Take the battery pack out of the charger. Disconnect the charger from the mains supply.</p>
Flashing	Off	<p>Adapted charging The charger is in gentle charging mode. For safety reasons the charging is performed less quickly and takes more time. The reasons can be: - The rechargeable battery has not been used for a very long time. - The battery temperature is outside the ideal range. Action: Wait for the charging to be completed; you can still continue to charge the battery pack.</p>
Flashing	Flashing	<p>Fault Charging is no longer possible. The battery pack is defective. Action: Never charge a defective battery pack. Take the battery pack out of the charger.</p>
On	On	<p>Temperature fault The battery pack is too hot (e.g. due to direct sunshine) or too cold (below 0° C). Action: Remove the battery pack and keep it at room temperature (approx. 20° C) for one day .</p>

Disposal

Power tools, rechargeable batteries, accessories and packaging should be sorted for environmental-friendly recycling.

Do not dispose of power tools and batteries/rechargeable batteries into household waste!

Only for EU countries:

According to the Directive 2012/19/EU on waste electrical and electronic equipment and its transposition into national law, power tools that are no longer usable, and, according to the Directive 2006/66/EC, defective or drained batteries must be collected separately and disposed of in an environmentally correct manner.

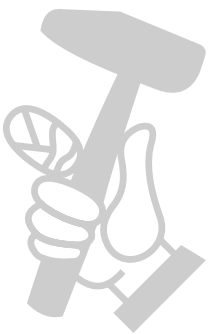
If disposed incorrectly, waste electrical and electronic equipment may have harmful effects on the environment and human health, due to the potential presence of hazardous substances.

Only for United Kingdom:

According to The Waste Electrical and Electronic Equipment Regulations 2013 (SI 2013/3113) (as amended) and the Waste Batteries and Accumulators Regulations 2009 (SI 2009/890) (as amended), products that are no longer usable must be collected separately and disposed of in an environmentally friendly manner.

The reprinting or reproduction by any other means, in whole or in part, of documentation and papers accompanying products is permitted only with the express consent of the Einhell Germany AG.

Subject to technical changes



Service information

We have competent service partners in all countries named on the guarantee certificate whose contact details can also be found on the guarantee certificate. These partners will help you with all service requests such as repairs, spare and wearing part orders or the purchase of consumables.

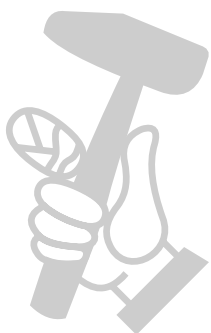
Please note that the following parts of this product are subject to normal or natural wear and that the following parts are therefore also required for use as consumables.

Category	Example
Wear parts*	Blade head, Battery
Consumables*	Blade
Missing parts	

* Not necessarily included in the scope of delivery!

In the effect of defects or faults, please register the problem on the internet at www.Einhell-Service.com. Please ensure that you provide a precise description of the problem and answer the following questions in all cases:

- Did the equipment work at all or was it defective from the beginning?
- Did you notice anything (symptom or defect) prior to the failure?
- What malfunction does the equipment have in your opinion (main symptom)? Describe this malfunction.



Warranty certificate

Dear Customer,

All of our products undergo strict quality checks to ensure that they reach you in perfect condition. In the unlikely event that this equipment develops a fault, please contact our service department at the address shown on this guarantee card. You can also contact us by telephone using the service number shown. Please note the following terms under which guarantee claims can be made:

1. These guarantee terms apply solely to consumers, i.e. natural persons, who do not want to use this product in connection with either their commercial or other self-employed activities. These guarantee terms regulate additional guarantee services which the undermentioned manufacturer promises to buyers of its new products in addition to their statutory rights of guarantee. Your statutory rights of guarantee are not affected by this guarantee. Our guarantee is free of charge to you.
2. The guarantee services cover only defects due to material or manufacturing faults on the new product which you have bought in the European Union from the undermentioned manufacturer and are limited to either the rectification of said defects or the replacement of the product, whichever we prefer. Please note that only equipment under the brand name "Professional" has been designed for use in commercial, trade or professional applications. For all other products the guarantee is invalidated if the equipment is used within the guarantee period in commercial, trade or industrial applications or for other equivalent activities.
3. Our guarantee does not cover:
 - Damage to the equipment caused by failure to comply with the installation/assembly instructions or by unprofessional installation; damage caused by failure to comply with the operating instructions (e.g. connection to the wrong mains voltage or current type); damage caused by failure to comply with the maintenance and safety regulations; damage caused by exposing the equipment to abnormal environmental conditions; damage resulting from poor care and maintenance.
 - Damage to the equipment caused by misuse or incorrect applications (e.g. overloading the equipment or using non-approved attachments or accessories); damage caused by foreign bodies (e.g. sand, stones, dust, ...) getting inside the equipment. Damage in transit; damage caused by force or external influences (e.g. by dropping the equipment).
 - Damage to the equipment or parts of the equipment which is owed to use-related, normal or otherwise natural wear. For example, batteries and battery packs are manufactured with a cycle limit for design-related reasons. Wear is negatively influenced in particular by load demands and charging speeds as well as exposure to heat, cold, vibration and impact.
4. The guarantee is valid for a period of 2 years starting from the purchase date of the equipment. Guarantee claims must be submitted before the end of the guarantee period and within two weeks of the defect being noticed. No guarantee claims will be accepted after the end of the guarantee period. The original guarantee period remains applicable to the equipment even if repairs are carried out or parts are replaced. In such cases, the work performed or parts fitted will not result in an extension of the guarantee period, and no new guarantee will become active for the work performed or for any replacement parts fitted. This also applies if on-site service is used.
5. To assert your guarantee claim, register the defective equipment at: www.Einhell-Service.com. You will need to provide proof of purchase of the new item of equipment. Equipment returned without such proof or without a rating plate are excluded from the guarantee services because of the lack of traceability. If the defect is covered by our guarantee, then either the item in question will be repaired immediately and returned to you or we will send you a new replacement.
6. If you have taken the equipment with you to a different EU country than where you bought it, we will arrange for a local service partner to provide the guarantee services. If you take the equipment outside the EU, the guarantee will not apply.

Of course, we are also happy to offer a chargeable repair service for any defects which are not covered or no longer covered by the scope of this guarantee. To take advantage of this service, please send the equipment to our service address. We draw attention to the restrictions of this guarantee concerning wear parts, consumables and missing parts as presented in the service information included in this operating manual.

Warrantor/ Service:

Einhell UK Ltd, Unit 10, 1st Floor, Champion's Business Park, Arrowse Brook Road, Upton, Wirral, CH49 0AB