

Einhell

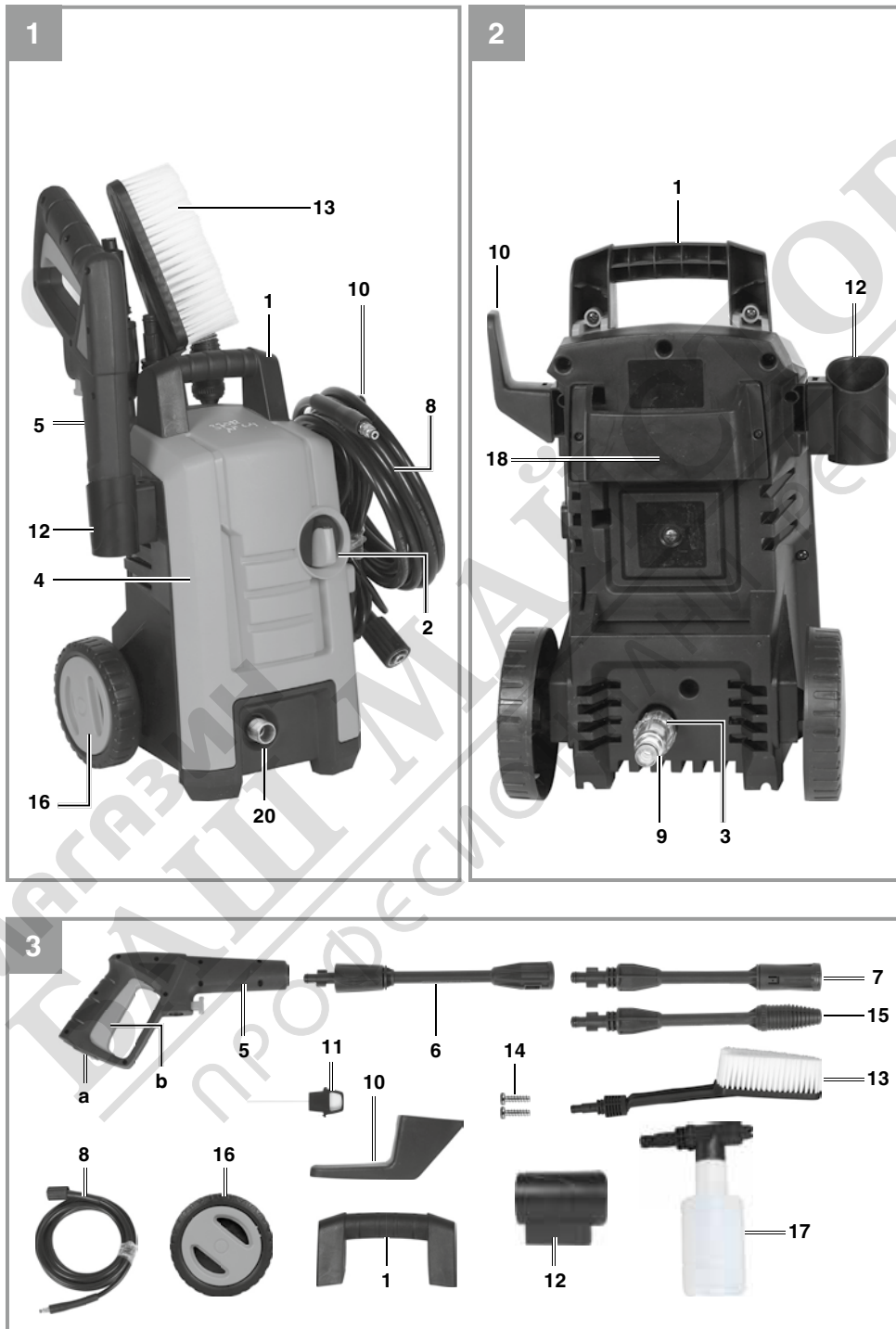
TC-HP 130

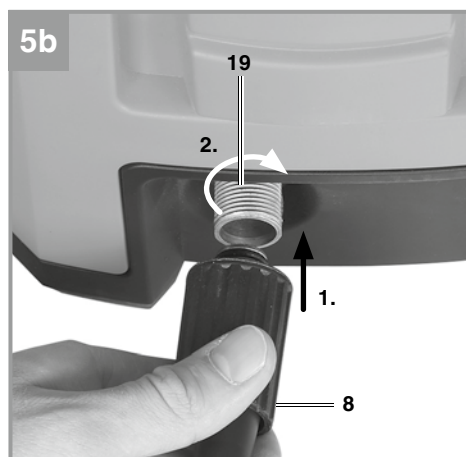
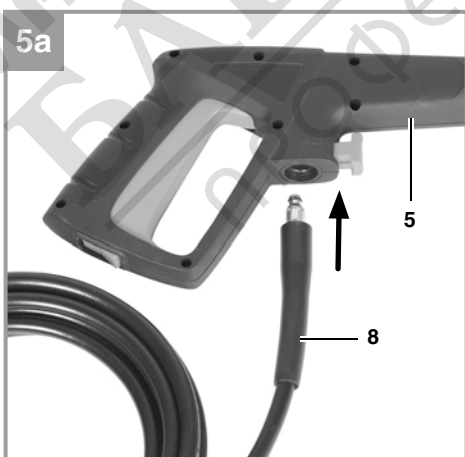
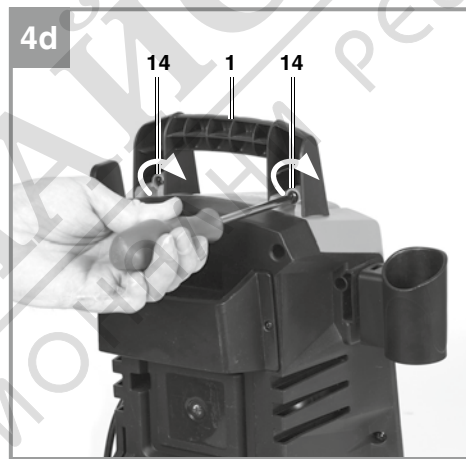
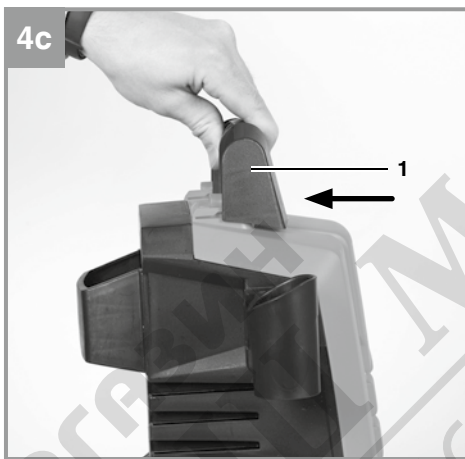
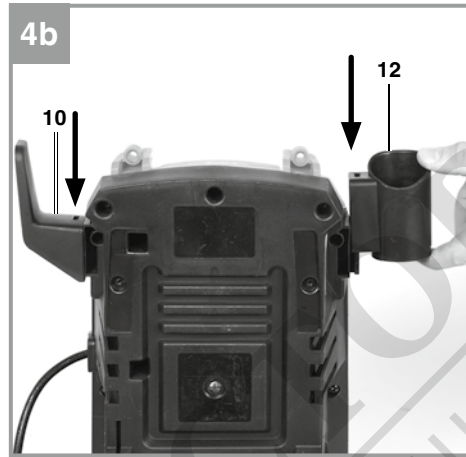
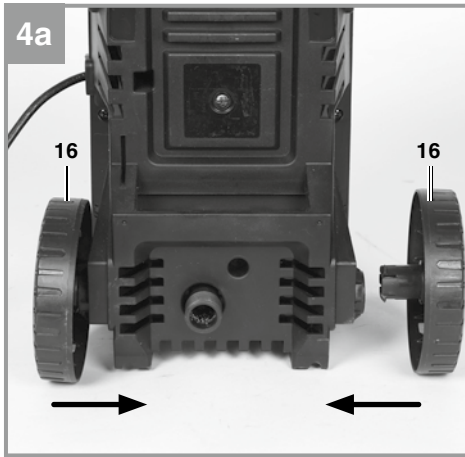
D	Originalbetriebsanleitung Hochdruckreiniger	NL	Originele handleiding Hogedrukreiniger
GB	Original operating instructions High Pressure Cleaner	E	Manual de instrucciones original Limpiadora a alta presión
F	Mode d'emploi d'origine Nettoyeur haute pression	FIN	Alkuperäiskäyttöohje Painepesuri
I	Istruzioni per l'uso originali Idropultrice	SLO	Originalna navodila za uporabo Visokotlačni čistilni
DK/ N	Original betjeningsvejledning Højtryksrensler	H	Eredeti használati utasítás Nagynyomású tisztító
S	Original-bruksanvisning Högtryckstvätt	GR	Πρωτότυπες Οδηγίες χρήσης Καθαριστήρας υψηλής πίεσης
CZ	Originální návod k obsluze Vysokotlaký čistič		
SK	Originálny návod na obsluhu Vysokotlakový čistič		

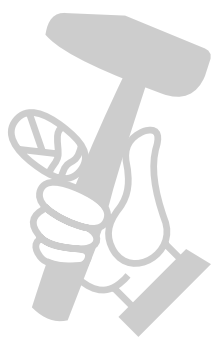
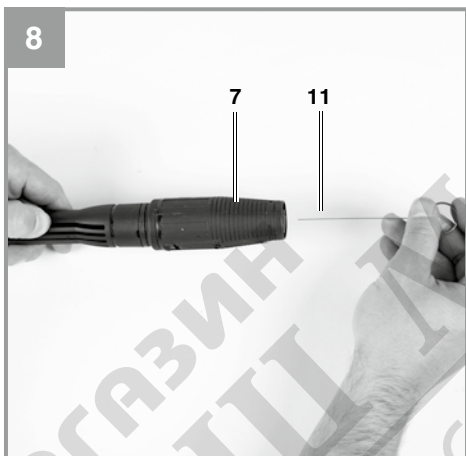
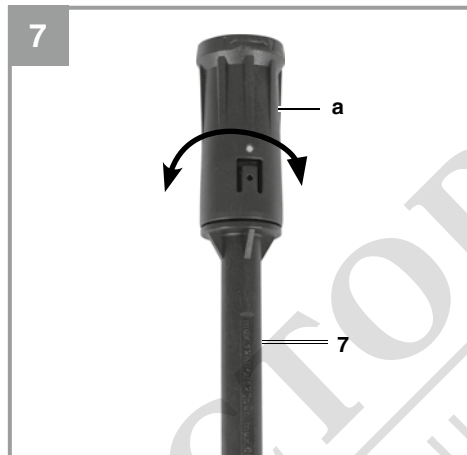
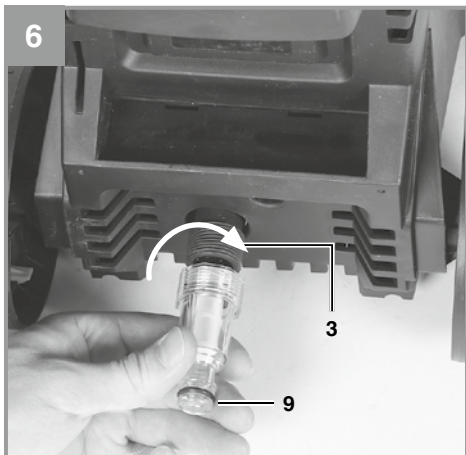


Art.-Nr.: 41.407.50

I.-Nr.: 11019







МАГАЗИН МАЙСТОРА
БАШТАЙН
ПРОФЕСИОНАЛНИ РЕШЕНИЯ



Danger! Please read these instructions carefully before installing and operating the equipment!



Caution! Wear ear-muffs. The impact of noise can cause damage to hearing.



Caution! Wear safety goggles. Sparks generated during working or splinters, chips and dust emitted by the device can cause loss of sight.



Warning! High-pressure jets can be dangerous if not used properly. Do not direct the jet at persons, animals, live electrical equipment or the pressure cleaner itself.



This machine is not suitable for connecting to the drinking water network (see 5.2.4).



Danger!

When using the equipment, a few safety precautions must be observed to avoid injuries and damage. Please read the complete operating instructions and safety regulations with due care. Keep this manual in a safe place, so that the information is available at all times. If you give the equipment to any other person, hand over these operating instructions and safety regulations as well. We cannot accept any liability for damage or accidents which arise due to a failure to follow these instructions and the safety instructions.

1. Safety regulations

The corresponding safety information can be found in the enclosed booklet.

Danger!

Read all safety regulations and instructions.

Any errors made in following the safety regulations and instructions may result in an electric shock, fire and/or serious injury.

Keep all safety regulations and instructions in a safe place for future use.

2. Layout and items supplied**2.1 Layout (Fig. 1-3)**

1. Handle
2. ON/OFF switch
3. Water inlet connector
4. Pressure cleaner
5. Gun
6. Extension
7. Solid cone/flat fan lance
8. High-pressure hose
9. Water inlet connector
10. Cable holder
11. Nozzle cleaning needle
12. Gun holder
13. Washing brush
14. Screw for fitting the handle
15. Lance with rotating nozzle
16. Wheel
17. Foam nozzle
18. Accessory holder
19. Connector for high-pressure hose

2.2 Items supplied

Please check that the article is complete as specified in the scope of delivery. If parts are missing, please contact our service center or the nearest

branch of the DIY store where you made your purchase at the latest within 5 work days after purchasing the article and upon presentation of a valid bill of purchase. Also, refer to the warranty table in the warranty provisions at the end of the operating instructions.

- Open the packaging and take out the equipment with care.
- Remove the packaging material and any packaging and/or transportation braces (if available).
- Check to see if all items are supplied.
- Inspect the equipment and accessories for transport damage.
- If possible, please keep the packaging until the end of the guarantee period.

Danger!

The equipment and packaging material are not toys. Do not let children play with plastic bags, foils or small parts. There is a danger of swallowing or suffocating!

- Water inlet connector
- Gun
- Extension
- Solid cone/flat fan lance
- Nozzle cleaning needle
- Cable holder
- Gun holder
- Washing brush
- Lance with rotating nozzle
- Foam nozzle
- Screw for fitting the handle (2x)
- Original operating instructions
- Safety information

3. Proper use


The pressure cleaner is designed to clean vehicles, machines, buildings, facades, etc. in the private sector.

The equipment is to be used only for its prescribed purpose. Any other use is deemed to be a case of misuse. The user / operator and not the manufacturer will be liable for any damage or injuries of any kind caused as a result of this.

Please note that our equipment has not been designed for use in commercial, trade or industrial applications. Our warranty will be voided if the machine is used in commercial, trade or industrial businesses or for equivalent purposes.

This equipment is not allowed to be used by children. Children should be supervised so that they do not play with the equipment. Children are not allowed to carry out the cleaning or maintenance. This equipment is not allowed to be used by people with limited physical, sensory or mental capacities or by those with insufficient knowledge or experience unless they are supervised or instructed by a person who is responsible for them.

4. Technical data

Rated voltage: 220-240 V ~ 50 Hz
 Power consumption: 1500 W
 Rated pressure: 9 MPa (90 bar)*
 Permissible pressure: max. 13 MPa (130 bar)
 Rated flow rate: 5.5 l/min
 Max. water inlet pressure: 0.7 MPa (7 bar)
 Protection class: II / 
 Weight: approx. 5,4 kg

* The rated pressure depends on the accessories used with the pressure washer.

Danger!

Sound and vibration

Sound and vibration values were measured in accordance with EN 60335-2-79.

L_{pA} sound pressure level 78 dB(A)
 K_{pA} uncertainty 3 dB
 L_{WA} sound power level 91 dB(A)
 K_{WA} uncertainty 3 dB

Wear ear-muffs.

The impact of noise can cause damage to hearing.

Total vibration values (vector sum of three directions) determined in accordance with EN 60335-2-79.

Vibration emission value $a_n \leq 2.5 \text{ m/s}^2$
 K uncertainty = 0.6 m/s^2

The specified vibration value was established in accordance with a standardized testing method. It may change according to how the electric equipment is used and may exceed the specified value in exceptional circumstances.

The specified vibration value can be used to compare the equipment with other electric power tools.

The specified vibration value can be used for initial assessment of a harmful effect.

Keep the noise emissions and vibrations to a minimum.

- Only use appliances which are in perfect working order.
- Service and clean the appliance regularly.
- Adapt your working style to suit the appliance.
- Do not overload the appliance.
- Have the appliance serviced whenever necessary.
- Switch the appliance off when it is not in use.
- Wear protective gloves.

Caution!

Residual risks

Even if you use this electric power tool in accordance with instructions, certain residual risks cannot be ruled out. The following hazards may arise in connection with the equipment's construction and layout:

1. Lung damage if no suitable protective dust mask is used.
2. Damage to hearing if no suitable ear protection is used.
3. Health damage caused by hand-arm vibrations if the equipment is used over a prolonged period or is not properly guided and maintained.

5. Before starting the equipment

It is recommended for the power supply to this machine either to be connected via a residual current device circuit-breaker, which interrupts the power flow as soon as the leakage current to earth exceeds 30 mA for 30 ms, or for it to be equipped with an earth tester.

Before you connect the equipment to the mains supply make sure that the data on the rating plate are identical to the mains data.

Warning!

Always pull the power plug before making adjustments to the equipment.

5.1 Using the equipment correctly

- The pressure cleaner must be stood on a level, stable surface.
- It is recommended that you adopt the correct operating position every time you use the equipment, with one hand on the gun and the other on the lance.
- Never direct the water jet at electrical lines or the equipment itself.
- So that the pump does not suffer any damage when it is not in use, a small amount of leakage from the pump is normal.
- Never use the machine in potentially explosive areas under any circumstances!
- The operating temperature must be between +5 and + 40°C.
- Do not cover or modify the lance or the spray nozzles in any way.
- The pressure cleaner is designed to be used with cold or lukewarm water (max. 40 °C); higher temperatures can damage the pump.
- Do not use water that is dirty, gritty or contains any chemical products, as these could impair operation and shorten the life of the equipment.

Caution: Risk of explosion

Do not spray flammable liquids.

Warning

Water that has passed through the non-return valve is not drinkable.

Warning

If cleaning agent gets into contact with your skin or into your eye, rinse immediately with lots of clean water. Then consult a doctor or follow the steps described on the safety data sheet or provided by the manufacturer of the cleaning agent.

5.2 Assembly

5.2.1 Assembling the equipment (Fig. 4a-4d)

Assemble the pressure cleaner as shown in Figure 4a-4d.

5.2.2 Fitting the gun attachments (Fig. 3)

Various attachments can be fitted to the gun. First fit the extension (6) to the gun (5). Then you can press the attachments into the extension (you will encounter a slight spring resistance) and secure the attachment by turning.

Important! Check that the attachment is secure before you begin with the cleaning.

Lance with rotating nozzle (15)

To remove particularly stubborn dirt, use the lance with the rotating nozzle (15).

Solid cone / flat fan lance (7)

The shape of the water jet can be changed from solid cone to flat fan by turning nozzle (a) (Fig. 7).

Washing brush (13)

The washing brush (13) is intended for (low pressure) cleaning with cleaning agent.

Foam nozzle (17)

The cleaning product will be added automatically. We recommend using the cleaning product sparingly.

5.2.3 Connecting the high-pressure hose (Fig. 5a-5b)

Connect the high-pressure hose (8) to the gun (5) and to the connector for the high-pressure hose (19).

5.2.4 Water inlet connector (Fig. 6)

The connection for the water inlet (3) is equipped with a connector (9) for standard hose coupling systems. Plug the hose coupling on the supply hose (min. Ø 1/2" / approx. 13 mm) to the water inlet connector (9).

Always use a reinforced hose with a standard coupling for the water inlet. The hose should be at least 6 m in length. (Not supplied)

A backflow preventer must be installed between the drinking water and the pressure cleaner! Ask your local plumber about this.

5.2.5 Electrical connections

- Before you connect the equipment to the power supply make sure that the data on the rating plate are identical to the supply voltage.
- If you use any extension cables, make sure that they are suitable for outdoor use and have large enough wires:
1 – 10 m: 1.5 mm²
10-30m: 2.5 mm²
- Insert the power plug on the power cable into the socket outlet.

6. Operation

The equipment consists of an assembly with a pump, which is encased in a shock absorbing housing. For an optimal working position the equipment comes with a lance and a non-slip gun, whose shape and configuration comply with the applicable regulations.

6.1 Using for the first time

Once you have completely assembled the pressure cleaner and made all the connections, proceed as follows:

Open the water inlet. Release the safety device (a) (Fig. 3) on the spray gun and pull back trigger lever (b) (Fig. 3) in order to bleed the trapped air out of the equipment.

Turn on the equipment by switching the On/Off switch (Fig. 1/2) to "ON".
Now activate the trigger lever (b).

To turn off, release the trigger lever (b). The equipment will then go into standby. As soon as you press the trigger lever (b) again, the pressure cleaner will restart.

To turn off the pressure cleaner completely, set the On/Off switch (Fig. 1/3) to "OFF".

6.2 Holder for the gun/accessories (Fig. 2)

The gun and accessories can be kept in the provided holders (12, 18) in order to save space when not in use.

6.3 Cable holder (Fig. 2)

The power cable can be wound up on the cable holder (10) in order to save space when not in use.

7. Replacing the power cable

Danger!

If the power cable for this equipment is damaged, it must be replaced by the manufacturer or its after-sales service or similarly trained personnel to avoid danger.

8. Cleaning, maintenance and ordering of spare parts

Danger!

Always pull out the mains power plug before starting any cleaning work.

8.1 Cleaning

- Keep all safety devices, air vents and the motor housing free of dirt and dust as far as possible. Wipe the equipment with a clean cloth or blow it with compressed air at low pressure.
- We recommend that you clean the device immediately each time you have finished using it.
- Clean the equipment regularly with a moist cloth and some soft soap. Do not use cleaning agents or solvents; these could attack the plastic parts of the equipment. Ensure that no water can seep into the device.

8.2 Maintenance

8.2.1 Testing the water intake filter

Periodically check the intake filter in order to prevent clogging, which could jeopardize operation of the pump.

To do this, unscrew the water inlet connector (9) from the device and clean the exposed inlet sieve under running water.

8.2.2 Long periods of nonuse (electric pump)

The machine should be fully emptied of water each time after use. This requires you to switch on the equipment without a connected water supply and to press the trigger lever (b) (max. 1 min.) until no more water emerges. Then you must switch off the equipment.

If the device is not used for an extended period of time, lime deposits will begin to form in the electric pump, which in turn can lead to starting difficulties.

8.2.3 Cleaning the nozzle (Fig. 8)

Use the supplied wire (11) to clean clogged nozzles.

8.3 Ordering replacement parts:

Please quote the following data when ordering replacement parts:

- Type of machine
- Article number of the machine
- Identification number of the machine
- Replacement part number of the part required

For our latest prices and information please go to www.isc-gmbh.info

9. Transport

Before transporting the equipment to a different location, remove all connections. The equipment is then free for transport.

10. Disposal and recycling

The unit is supplied in packaging to prevent its being damaged in transit. This packaging is raw material and can therefore be reused or can be returned to the raw material system.

The unit and its accessories are made of various types of material, such as metal and plastic. Defective components must be disposed of as special waste. Ask your dealer or your local council.

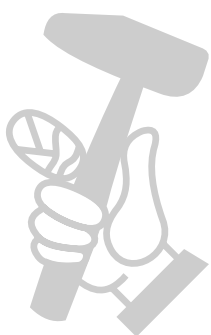
11. Storage

Store the equipment and accessories out of children's reach in a dark and dry place at above freezing temperature. The ideal storage temperature is between 5 and 30 °C. Store the electric tool in its original packaging.



12. Possible causes of failure

Fault	Cause	Remedy
The equipment does not work	<ul style="list-style-type: none"> - No electrical voltage at the equipment - The cross section of the extension cable is not large enough and/or the extension cable is too long - The mains voltage is lower than that specified - The pump is frozen 	<ul style="list-style-type: none"> - Check the fuse, power cable and power plug and have them replaced by qualified personnel if necessary - Use extension cables with larger cross sections and/or use shorter extension cables - Contact the power supply company if necessary - Check and thaw if necessary
The motor starts but there is no pressure build-up	<ul style="list-style-type: none"> - The water intake filter is clogged - Air intake in the water inlet - The discharge nozzle is too large - Water tap is closed. 	<ul style="list-style-type: none"> - Clean the water intake filter (see 8.2.1) - Check the supply hose and hose connectors and replace if necessary - Check and replace if necessary - Open the water tap.
The operating pressure is irregular	<ul style="list-style-type: none"> - Air intake in the water inlet 	<ul style="list-style-type: none"> - Check the supply hose and hose connectors and replace if necessary





For EU countries only

Never place any electric power tools in your household refuse.

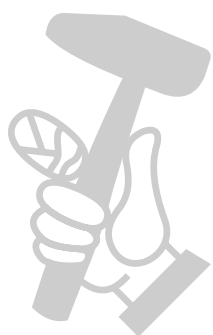
To comply with European Directive 2012/19/EC concerning old electric and electronic equipment and its implementation in national laws, old electric power tools have to be separated from other waste and disposed of in an environment-friendly fashion, e.g. by taking to a recycling depot.

Recycling alternative to the return request:

As an alternative to returning the equipment to the manufacturer, the owner of the electrical equipment must make sure that the equipment is properly disposed of if he no longer wants to keep the equipment. The old equipment can be returned to a suitable collection point that will dispose of the equipment in accordance with the national recycling and waste disposal regulations. This does not apply to any accessories or aids without electrical components supplied with the old equipment.

The reprinting or reproduction by any other means, in whole or in part, of documentation and papers accompanying products is permitted only with the express consent of the iSC GmbH.

Subject to technical changes



Service information

We have competent service partners in all countries named on the guarantee certificate whose contact details can also be found on the guarantee certificate. These partners will help you with all service requests such as repairs, spare and wearing part orders or the purchase of consumables.

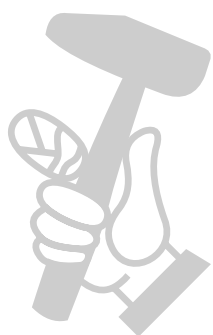
Please note that the following parts of this product are subject to normal or natural wear and that the following parts are therefore also required for use as consumables.

Category	Example
Wear parts*	Carbon brushes, lance, hose
Consumables*	
Missing parts	

* Not necessarily included in the scope of delivery!

In the effect of defects or faults, please register the problem on the internet at www.isc-gmbh.info. Please ensure that you provide a precise description of the problem and answer the following questions in all cases:

- Did the equipment work at all or was it defective from the beginning?
- Did you notice anything (symptom or defect) prior to the failure?
- What malfunction does the equipment have in your opinion (main symptom)? Describe this malfunction.



Warranty certificate

Dear Customer,

All of our products undergo strict quality checks to ensure that they reach you in perfect condition. In the unlikely event that your device develops a fault, please contact our service department at the address shown on this guarantee card. You can also contact us by telephone using the service number shown. Please note the following terms under which guarantee claims can be made:

1. These guarantee terms apply to consumers only, i.e. natural persons intending to use this product neither for their commercial activities nor for any other self-employed activities. These warranty terms regulate additional warranty services, which the manufacturer mentioned below promises to buyers of its new products in addition to their statutory rights of guarantee. Your statutory guarantee claims are not affected by this guarantee. Our guarantee is free of charge to you.
2. The warranty services cover only defects due to material or manufacturing faults on a product which you have bought from the manufacturer mentioned below and are limited to either the rectification of said defects on the product or the replacement of the product, whichever we prefer. Please note that our devices are not designed for use in commercial, trade or professional applications. A guarantee contract will not be created if the device has been used by commercial, trade or industrial business or has been exposed to similar stresses during the guarantee period.
3. The following are not covered by our guarantee:
 - Damage to the device caused by a failure to follow the assembly instructions or due to incorrect installation, a failure to follow the operating instructions (for example connecting it to an incorrect mains voltage or current type) or a failure to follow the maintenance and safety instructions or by exposing the device to abnormal environmental conditions or by lack of care and maintenance.
 - Damage to the device caused by abuse or incorrect use (for example overloading the device or the use of unapproved tools or accessories), ingress of foreign bodies into the device (such as sand, stones or dust, transport damage), the use of force or damage caused by external forces (for example by dropping it).
 - Damage to the device or parts of the device caused by normal or natural wear or tear or by normal use of the device.
4. The guarantee is valid for a period of 24 months starting from the purchase date of the device. Guarantee claims should be submitted before the end of the guarantee period within two weeks of the defect being noticed. No guarantee claims will be accepted after the end of the guarantee period. The original guarantee period remains applicable to the device even if repairs are carried out or parts are replaced. In such cases, the work performed or parts fitted will not result in an extension of the guarantee period, and no new guarantee will become active for the work performed or parts fitted. This also applies if an on-site service is used.
5. To make a claim under the guarantee, please register the defective device at: www.isc-gmbh.info. Please keep your bill of purchase or other proof of purchase for the new device. Devices that are returned without proof of purchase or without a rating plate shall not be covered by the guarantee, because appropriate identification will not be possible. If the defect is covered by our guarantee, then the item in question will either be repaired immediately and returned to you or we will send you a new replacement.

Of course, we are also happy offer a chargeable repair service for any defects which are not covered by the scope of this guarantee or for units which are no longer covered. To take advantage of this service, please send the device to our service address.

Also refer to the restrictions of this warranty concerning wear parts, consumables and missing parts as set out in the service information in these operating instructions.