

# Einhell

## TC-WD 200/150

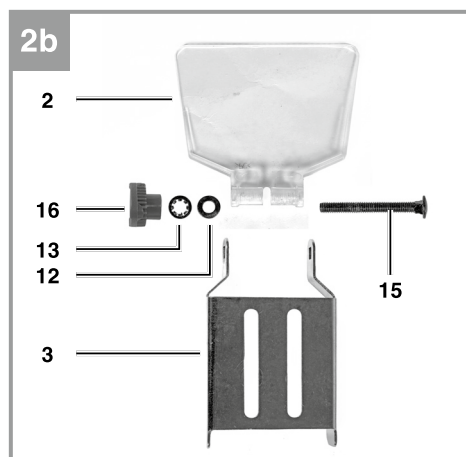
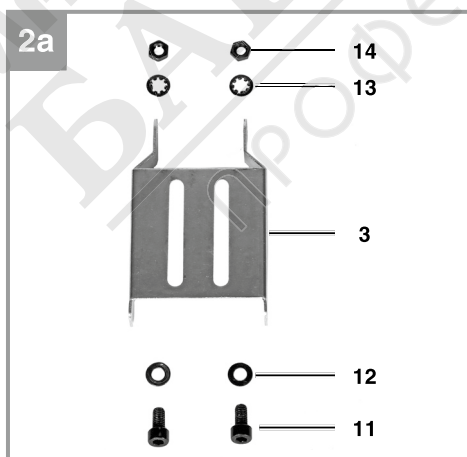
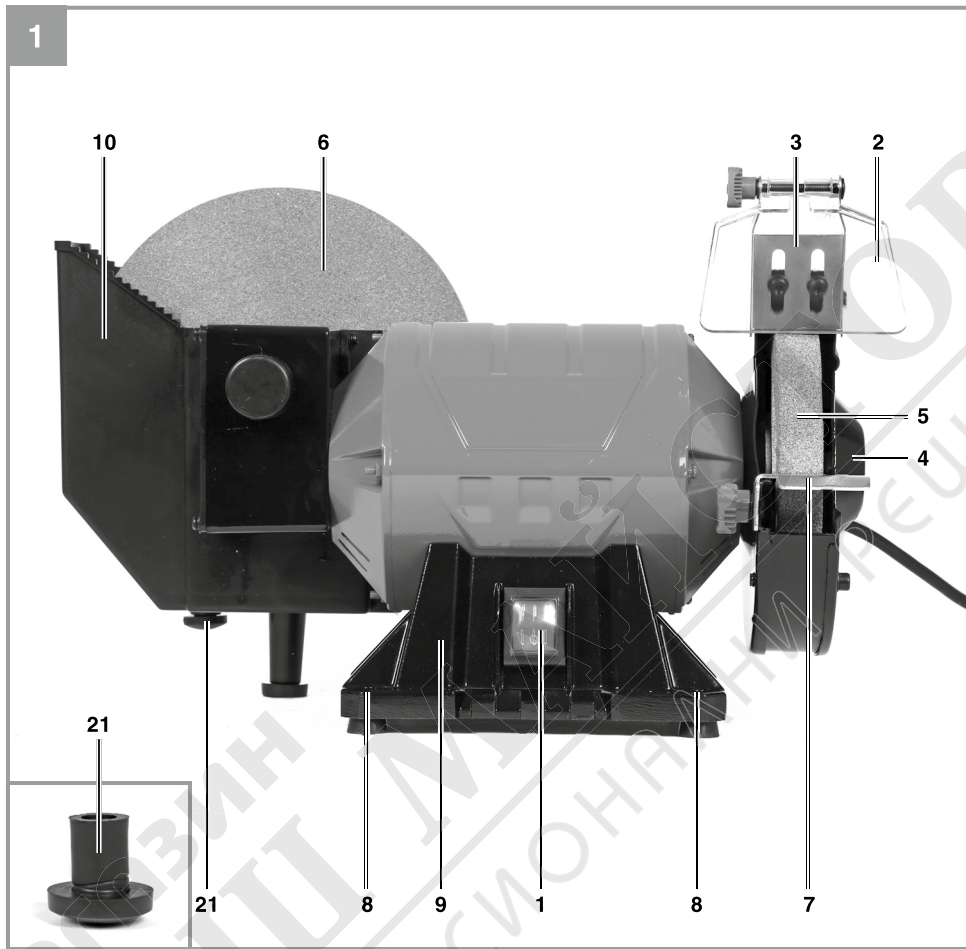
D	Originalbetriebsanleitung Nass- Trockenschleifer	NL	Originele handleiding Nat-drooglijper
GB	Original operating instructions Wet and dry grinder/sander	E	Manual de instrucciones original Lijadora para húmedo y seco
F	Instructions d'origine Rectifieuse à arrosage et meuleuse à sec	FIN	Alkuperäiskäyttöohje Märkä-/kuivahiomakone
I	Istruzioni per l'uso originali Smerigliatrice a secco e ad acqua da banco	SLO	Originalna navodila za uporabo Mokri/suhi brus
DK/ N	Original betjeningsvejledning Våd-/tørsliber	H	Eredeti használati utasítás Nedves- száraz köszörűgép
S	Original-bruksanvisning Våt-torrslipmaskin	RO	Instrucțiuni de utilizare originale Șlefuitor umed-uscăt
CZ	Originální návod k obsluze Bruska pro broušení zasucho a zamokra	GR	Πρωτότυπες Οδηγίες χρήσης Στιλβωτής
SK	Originálny návod na obsluhu Brúska na suché a mokré brúsenie		

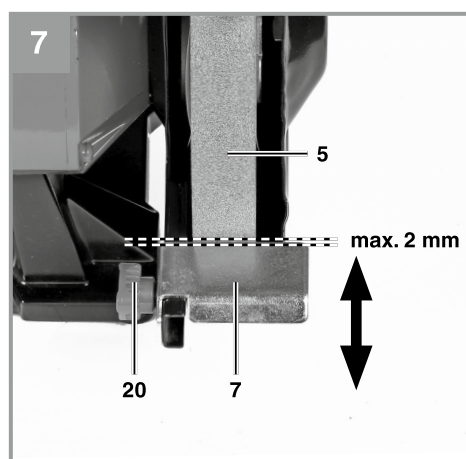
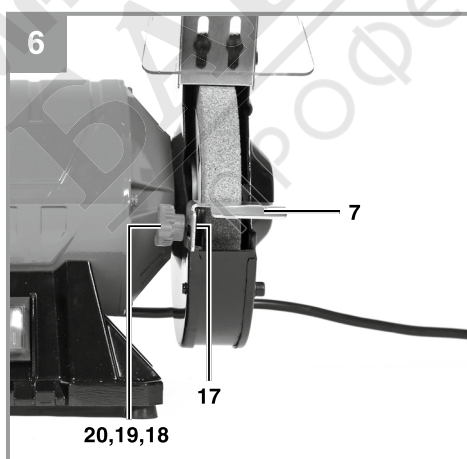
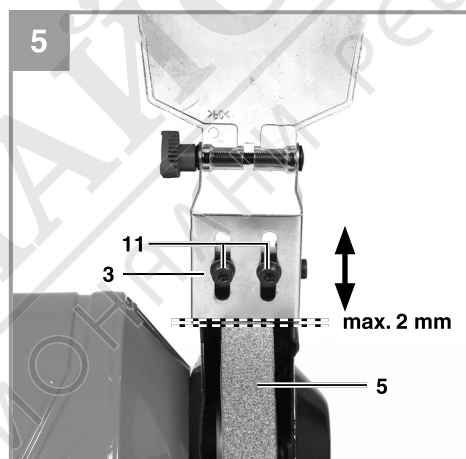
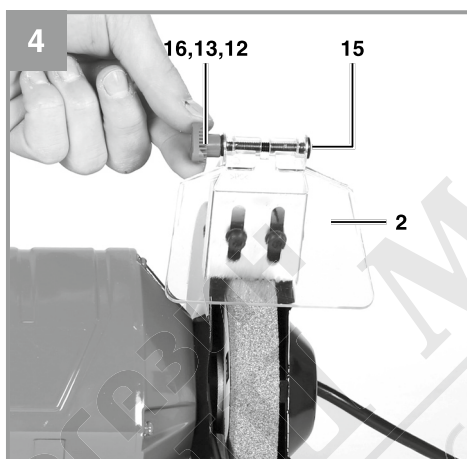
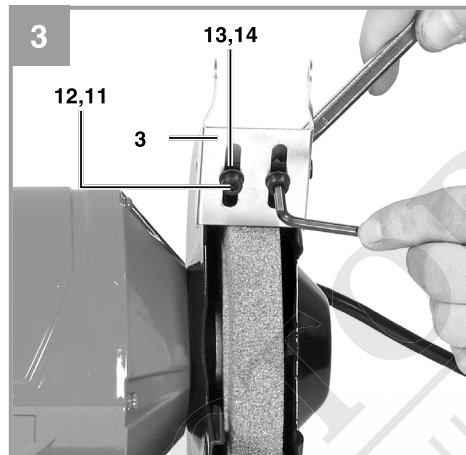
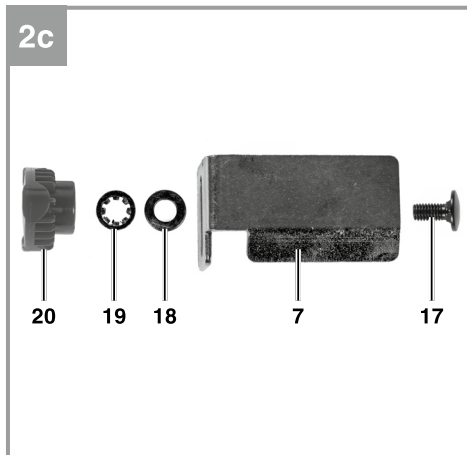


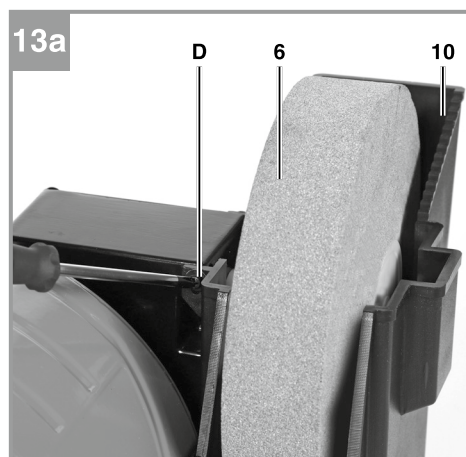
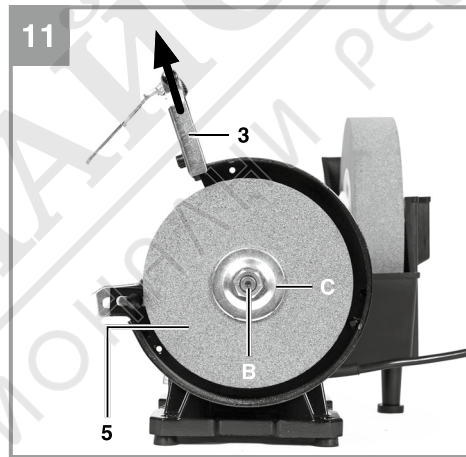
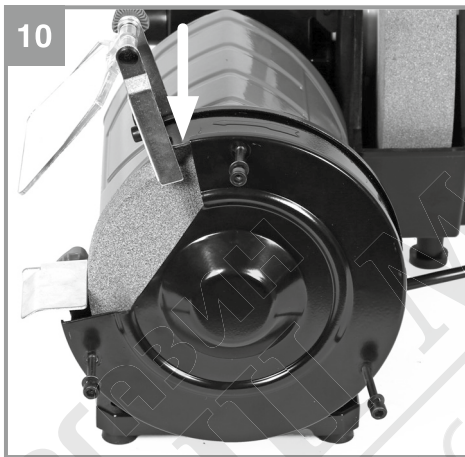
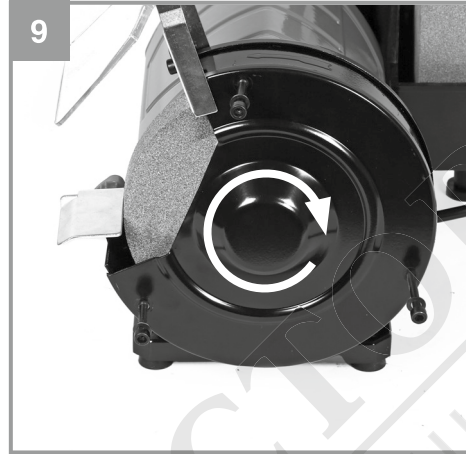
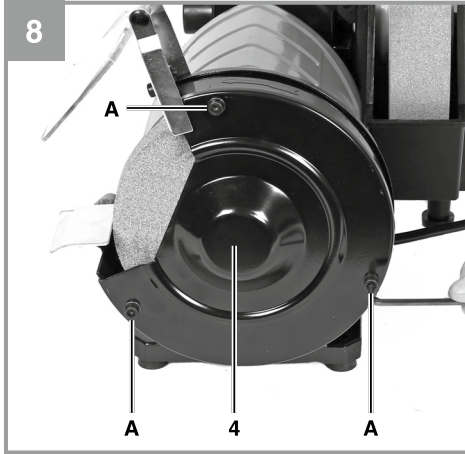
Art.-Nr.: 44.172.42

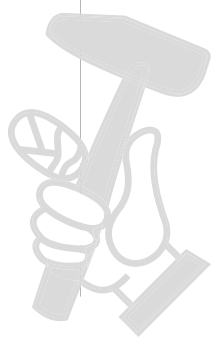
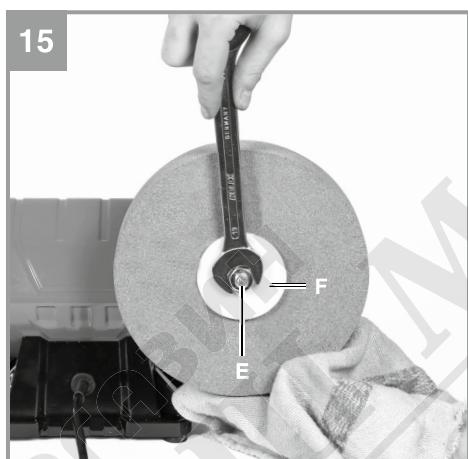
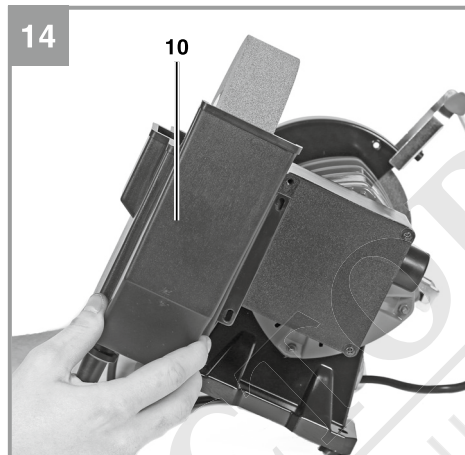
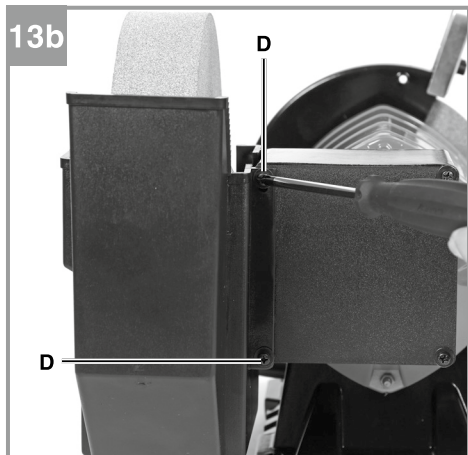


I.-Nr.: 11019









МАЙС  
БАЛМАЙС  
ПРОФЕСИОНАЛНИ РЕШЕНИЯ



**Danger!** - Read the operating instructions to reduce the risk of injury



**Caution! Wear ear-muffs.** The impact of noise can cause damage to hearing.



**Caution! Wear a breathing mask.** Harmful dust can be generated when working on metal and other materials. Never use the tool to work on any materials containing asbestos!



**Caution! Always wear safety goggles.** Sparks generated during work or splinters, chips and dust emitted by the equipment can cause loss of sight.



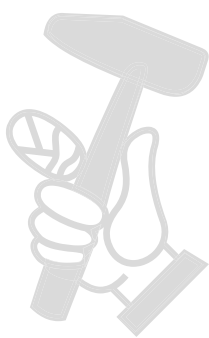
**Warning! Do not use a damaged grinding/sanding wheel.** Damaged plug-in tools may break into pieces that are catapulted into the surroundings.



**Caution! Wear gloves.**



**Direction of rotation of the grinding/sanding wheel.**





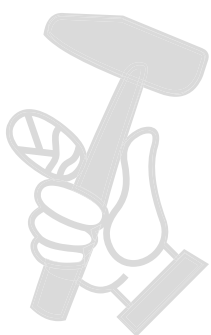
**Caution! Do not use with hand-held machines.** These grinding/sanding tools are allowed to be used only on machines that are not held in your hand.



**Caution! Do not use for wet grinding/sanding and wet abrasive cutting.** These grinding tools are suitable only for dry grinding/sanding.



**Caution! Permitted only for a fully enclosed work area.** These grinding/sanding tools are allowed to be used only on stationary grinding/sanding machines whose guards and safety devices are deemed to be a fully enclosed work area.



**Danger!**

When using the equipment, a few safety precautions must be observed to avoid injuries and damage. Please read the complete operating instructions and safety regulations with due care. Keep this manual in a safe place, so that the information is available at all times. If you give the equipment to any other person, hand over these operating instructions and safety regulations as well. We cannot accept any liability for damage or accidents which arise due to a failure to follow these instructions and the safety instructions.

**1. Safety regulations**

The corresponding safety information can be found in the enclosed booklet.

**Warning!**

**Read all the safety information, instructions, illustrations and technical data provided on or with this power tool.** Failure to adhere to the following instructions may result in electric shock, fire and/or serious injury.

**Keep all the safety information and instructions in a safe place for future use.**

**2. Layout and items supplied****2.1 Layout (Fig. 1/2a-2c)**

1. On/Off switch
2. Safety glass
3. Spark deflector
4. Cover
5. Dry grinding wheel
6. Wet grinding wheel
7. Workpiece support
8. Mounting holes
9. Base plate
10. Water container
11. Socket head screw
12. Washer (small)
13. Spring washer (small)
14. Nut
15. Lock bolt (long)
16. Locking knob (small)
17. Lock bolt (short)
18. Washer (large)
19. Spring washer (large)
20. Locking knob (large)
21. Sealing plug

**2.2 Items supplied**

Please check that the article is complete as specified in the scope of delivery. If parts are missing, please contact our service center or the sales outlet where you made your purchase at the latest within 5 working days after purchasing the product and upon presentation of a valid bill of purchase. Also, refer to the warranty table in the service information at the end of the operating instructions.

- Open the packaging and take out the equipment with care.
- Remove the packaging material and any packaging and/or transportation braces (if available).
- Check to see if all items are supplied.
- Inspect the equipment and accessories for transport damage.
- If possible, please keep the packaging until the end of the guarantee period.

**Danger!**

**The equipment and packaging material are not toys. Do not let children play with plastic bags, foils or small parts. There is a danger of swallowing or suffocating!**

- Wet-dry grinder
- Safety glass
- Spark deflector
- Workpiece support
- Socket head screw (2x)
- Washer (small) (3x)
- Spring washer (small) (3x)
- Nut (2x)
- Lock bolt (long)
- Locking knob (small)
- Lock bolt (short)
- Washer (large)
- Spring washer (large)
- Locking knob (large)
- Sealing plug
- Original operating instructions
- Safety information

**3. Proper use**

The wet-dry grinder is a combination tool for the coarse and fine grinding of metals, plastics and other materials using the appropriate grinding wheels.

The wet and dry grinder is equipped with a dry grinding wheel and a wet grinding wheel. Please note that rough grinding is always performed with the dry grinding wheel. Carry out fine grinding jobs with the wet grinding wheel, applying only slight pressure. The wet and dry grinder was developed for the machining and sharpening of knives, scissors, chisels and tools with a blade.

The machine is allowed to be used only for its intended purpose! Even when the equipment is used as prescribed it is still impossible to eliminate certain residual risk factors. The following hazards may arise in connection with the machine's construction and layout:

- Contact with the grinding wheel where it is not covered.
- Catapulting of parts from out of damaged grinding wheels.
- Catapulting of workpieces and parts of workpieces.
- Damage to hearing if essential ear-muffs are not used.

The equipment is allowed to be used only for its prescribed purpose. Any other use is deemed to be a case of misuse. The user/operator and not the manufacturer will be liable for any damage or injuries of any kind resulting from such misuse.

Please note that our equipment has not been designed for use in commercial, trade or industrial applications. Our warranty will be voided if the equipment is used in commercial, trade or industrial businesses or for equivalent purposes.

#### 4. Technical data

Mains voltage: ..... 220-240 V ~ 50 Hz  
 Power rating: ..... S1 170 W | S2 30 min 250 W  
 Idle speed n<sub>0</sub>: ..... 2980 min<sup>-1</sup>  
 Protection class ..... I  
 Protection type: ..... IPX0  
 Weight: ..... approx. 9.5 kg

##### Dry grinding wheel:

Grinding wheel ø max. .... 157 mm  
 Grinding wheel ø min.: ..... 127 mm  
 Grinding wheel diameter: ..... 150 mm  
 Grinding wheel thickness: ..... 20 mm  
 Grinding wheel hole diameter: ..... 32 mm  
 Speed: ..... 2980 min<sup>-1</sup>

Circumferential speed: ..... 23.4 m/s  
 Grinding wheel grit size: ..... K36

##### Wet grinding wheel:

Grinding wheel ø max.: ..... 207 mm  
 Grinding wheel ø min.: ..... 173 mm  
 Grinding wheel diameter: ..... 200 mm  
 Grinding wheel thickness: ..... 40 mm  
 Grinding wheel hole diameter: ..... 20 mm  
 Speed: ..... 134 min<sup>-1</sup>  
 Circumferential speed: ..... 1.4 m/s  
 Grinding wheel grit size: ..... K200

##### Load factor:

A load factor of S2 30 min (intermittent periodic duty) means that you may operate the motor continuously at its nominal power level (250 W) for no longer than the time stipulated on the specifications label (30 minutes ON period). If you fail to observe this time limit the motor will overheat. During the OFF period the motor will cool again to its starting temperature.

##### Danger!

##### Noise

The noise emission values were measured in accordance with EN 62841.

##### Operation

L<sub>pA</sub> sound pressure level ..... 79.4 dB(A)  
 K<sub>pA</sub> uncertainty ..... 3 dB(A)  
 L<sub>WA</sub> sound power level ..... 92.4 dB(A)  
 K<sub>WA</sub> uncertainty ..... 3 dB(A)

##### Wear ear-muffs.

The impact of noise can cause damage to hearing.

The stated noise emission values were measured in accordance with a set of standardized criteria and can be used to compare one power tool with another.

The stated noise emission values can also be used to make an initial assessment of exposure.

##### Warning:

The noise emission levels may vary from the level specified during actual use, depending on the way in which the power tool is used, especially the type of workpiece it is used for.

### Keep the noise emissions and vibrations to a minimum.

- Only use appliances which are in perfect working order.
- Service and clean the appliance regularly.
- Adapt your working style to suit the appliance.
- Do not overload the appliance.
- Have the appliance serviced whenever necessary.
- Switch the appliance off when it is not in use.

### Limit the operating time!

All stages of the operating cycle must be considered (for example, times in which the electric tools are switched off and times in which the tool is switched on but operates without load).

### Caution!

#### Residual risks

**Even if you use this electric power tool in accordance with instructions, certain residual risks cannot be ruled out. The following hazards may arise in connection with the equipment's construction and layout:**

1. Lung damage if no suitable protective dust mask is used.
2. Damage to hearing if no suitable ear protection is used.
3. Health damage caused by hand-arm vibrations if the equipment is used over a prolonged period or is not properly guided and maintained.

## 5. Before starting the equipment

Before you connect the equipment to the mains supply make sure that the data on the rating plate are identical to the mains data.

### Warning!

**Always pull the power plug before making adjustments to the equipment.**

**Pull the power plug before doing any maintenance or assembly work on the equipment.**

- The equipment has to be set up where it can stand securely.
- Before starting work, firmly screw the grinding/sanding machine to the workbench or equivalent using the 4 mounting holes (8) in the base plate (9).
- All covers and safety devices have to be pro-

perly fitted before the equipment is switched on.

- It must be possible for the grinding/sanding wheel to run freely.
- Check that the voltage on the rating plate is the same as your supply voltage before you connect the equipment to the power supply.
- Fit the sealing plug (21) on the underside of the water container (10). This needs to be pressed in with a little force.

### 5.1 Assembling the spark deflector / safety window (Fig. 3/4)

- Fasten the spark deflector (3) to the machine (Fig. 3).
- To do this, use the socket head screws (11), washers (12), spring washers (13) and nuts (14).
- Tighten the screw connection using a 4 mm hex key and an 8 mm wrench. Note! Not supplied.
- Fit the safety window (2) to the spark deflector (3) using a lock screw (15), a washer (12), a spring washer (13) and a locking button (16) (Fig. 4).

### 5.2 Adjusting the spark deflector (Fig. 5)

- With the help of the slots in the spark deflector (3) you can adjust it in vertical direction.
- To do so, slacken the socket head screws (11) and push the spark deflector as close as possible to the grinding/sanding wheel (5).
- Warning! The distance between the grinding/sanding wheel (5) and the spark deflector (3) must be set as small as possible and under no circumstances should it exceed 2 mm.
- Then secure the spark deflector (3) again.
- Warning! Adjust the spark deflector (3) periodically to compensate for wear on the grinding/sanding wheel (5).

### 5.3 Fitting the workpiece support (Fig. 6)

- Fit the workpiece support (7) to the machine.
- Warning! The angled face of the workpiece support must point away from the grinding/sanding wheel (5)!
- To achieve this, use the lock screw (17), the washer (18), the spring washer (19) and the locking button (20).

### 5.4 Setting the workpiece support (Fig. 7)

- With the help of the slot in the workpiece support (7) you can adjust it in horizontal direction.
- To do so, slacken the locking button (20) and

push the workpiece support (7) as close as possible to the grinding/sanding wheel (5).

- Warning! The distance between the grinding/sanding wheel (5) and the workpiece support (7) must be set as small as possible and under no circumstances should it exceed 2 mm.
- Then secure the workpiece support (7) again with the locking button (20).
- Warning! Adjust the workpiece support (7) periodically to compensate for wear on the grinding/sanding wheel (5).

### 5.5 Changing the dry grinding wheel (Fig. 8-12)

- Before you replace the grinding wheel: Pull out the power plug!
- Undo the three screws (A) in the cover (4) using a 4 mm hex key. Pull the screws (A) out as far as they will go.
- Then turn the cover (4) in a clockwise direction until the cover (4) can be removed by taking it off past the spark deflector (3).
- Lift the cover (4) off.
- Slacken the socket head screws (11) as described in 5.2 so that the spark deflector (3) can be moved upwards. Position the spark deflector (3) at the maximum height.
- Important! Use a rag, cloth or similar to prevent the grinding wheel (5) from rotating.
- Undo the nut (B) using a size 19 mm wrench while holding the grinding wheel (5) firmly with a rag, cloth or similar.
- Important! A size 19 mm wrench not supplied with the product.
- Important! Turn the nut (B) in the direction of rotation of the grinding wheel (5).
- Remove the nut (B), flange (C) and old grinding wheel.
- Carefully clean all parts which rotate during operation before fitting the new grinding wheel.
- Fit the new grinding wheel (5), flange (C) and nut (B) again in reverse order and tighten them.
- Note! Tighten the nut (B) moderately - the screw connection is designed to promote the clamping of the grinding/sanding wheel during operation.
- Then refit the cover (4) using the 3 screws (A).
- Adjust the spark deflector (3) as described in 5.2.
- Warning! Check that the safety devices are in good working condition before you work with the equipment again.

- Warning! Always use the grinding/sanding machine with a grinding/sanding wheel fitted on each side. This will reduce the risk of touching a rotating spindle.

### 5.6 Changing the wet grinding wheel (Fig. 13-15)

- Before you replace the grinding wheel: Pull out the power plug!
- Remove the three screws (D) on the water container (10) using a crosstip screwdriver. Important! A crosstip screwdriver is not supplied with the product.
- Tilt the machine forward until the water container (10) can be pulled off downwards.
- Remove the water container (10).
- Important! Use a rag, cloth or similar to prevent the grinding wheel (6) from rotating.
- Undo the nut (E) using a size 19 mm wrench while holding the grinding wheel (6) firmly with a rag, cloth or similar.
- Important! A size 19 mm wrench not supplied with the product.
- Important! Turn the nut (E) in the direction of rotation of the grinding wheel (6).
- Remove the nut (E), flange (F) and old grinding wheel.
- Carefully clean all parts which rotate during operation before fitting the new grinding wheel.
- Fit the new grinding wheel (6), flange (F) and nut (E) again in reverse order and tighten them.
- Important! Tighten the nut (E) moderately; the screw connection is designed to help the grinding wheel clamp during operation.
- Then fit the water container (10) back in place using the three screws (D).
- Warning! Check to make sure that all safety devices are properly mounted and in good working condition before you begin working with the equipment again.
- Warning! Always use the grinding machine with the grinding fitted on both sides. This will reduce the risk of contact with a rotating spindle.

## 6. Operation

### 6.1 ON/OFF switch (1)

To switch on the equipment set the On/Off switch (1) to position I.

Move the ON/OFF switch (1) to position 0 to switch off the equipment.

After switching on the equipment wait for the equipment to reach its maximum speed of rotation before commencing with the sanding/grinding work.

### 6.2 Dry grinding

- For coarse grinding it is recommended to use the coarse-grained grinding wheel (5).
- Turn on the grinding machine using the ON/OFF switch (1).
- Place the workpiece onto the workpiece support (7) and slowly guide the workpiece towards the grinding wheel (5) at the desired angle to the point where workpiece and grinding wheel make contact.
- Move the workpiece slightly back and forth to produce an optimal grinding result. This way the grinding wheel (5) will be evenly worn. Allow the workpiece to cool down occasionally.

#### Caution!

If the grinding/sanding wheel becomes jammed during operation, remove the workpiece and wait until the tool reaches its top speed again. If necessary, use less force when moving the workpiece against the grinding/sanding wheel.

### 6.3 Wet grinding

- For fine grinding it is recommended to use the fine-grained grinding wheel (6).
- Check that the sealing plug (21) is fitted before you start wet grinding.
- In addition, also check that there is enough water in the water container (10) (a third of the wet grinding wheel (6) must be standing in water!).
- Turn on the grinding machine using the ON/OFF switch (1).
- Grip the workpiece with both hands and lower it slowly onto the grinding wheel (6).
- You can also rest the workpiece on the teeth on the water container and lower it onto the grinding wheel (6).

## 7. Replacing the power cable

#### Danger!

If the power cable for this equipment is damaged, it must be replaced by the manufacturer or its after-sales service or similarly trained personnel to avoid danger.

## 8. Cleaning, maintenance and ordering of spare parts

#### Danger!

Always pull out the mains power plug before starting any cleaning work.

### 8.1 Cleaning

- Keep all safety devices, air vents and the motor housing free of dirt and dust as far as possible. Wipe the equipment with a clean cloth or blow it with compressed air at low pressure.
- We recommend that you clean the device immediately each time you have finished using it.
- Clean the equipment regularly with a moist cloth and some soft soap. Do not use cleaning agents or solvents; these could attack the plastic parts of the equipment. Ensure that no water can seep into the device. The ingress of water into an electric tool increases the risk of an electric shock.

### 8.2 Maintenance

There are no parts inside the equipment which require additional maintenance.

### 8.3 Ordering replacement parts:

Please quote the following data when ordering replacement parts:

- Type of machine
- Article number of the machine
- Identification number of the machine
- Replacement part number of the part required

For our latest prices and information please go to [www.isc-gmbh.info](http://www.isc-gmbh.info)

### 8.4 Transport

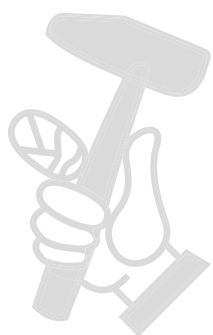
Transport the machine only by lifting it by the motor housing or by the base plate (9). Never use safety devices such as the safety window (2), the spark deflector (3) or the workpiece support (7) for handling or transporting purposes.

## 9. Disposal and recycling

The equipment is supplied in packaging to prevent it from being damaged in transit. The raw materials in this packaging can be reused or recycled. The equipment and its accessories are made of various types of material, such as metal and plastic. Never place defective equipment in your household refuse. The equipment should be taken to a suitable collection center for proper disposal. If you do not know the whereabouts of such a collection point, you should ask in your local council offices.

## 10. Storage

Store the equipment and accessories in a dark and dry place at above freezing temperature. The ideal storage temperature is between 5 and 30 °C. Store the electric tool in its original packaging.





For EU countries only

Never place any electric power tools in your household refuse.

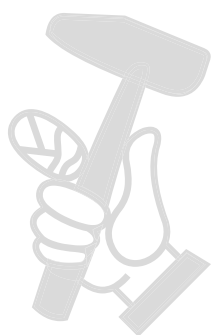
To comply with European Directive 2012/19/EC concerning old electric and electronic equipment and its implementation in national laws, old electric power tools have to be separated from other waste and disposed of in an environment-friendly fashion, e.g. by taking to a recycling depot.

Recycling alternative to the return request:

As an alternative to returning the equipment to the manufacturer, the owner of the electrical equipment must make sure that the equipment is properly disposed of if he no longer wants to keep the equipment. The old equipment can be returned to a suitable collection point that will dispose of the equipment in accordance with the national recycling and waste disposal regulations. This does not apply to any accessories or aids without electrical components supplied with the old equipment.

The reprinting or reproduction by any other means, in whole or in part, of documentation and papers accompanying products is permitted only with the express consent of the iSC GmbH.

Subject to technical changes



## Service information

We have competent service partners in all countries named on the guarantee certificate whose contact details can also be found on the guarantee certificate. These partners will help you with all service requests such as repairs, spare and wearing part orders or the purchase of consumables.

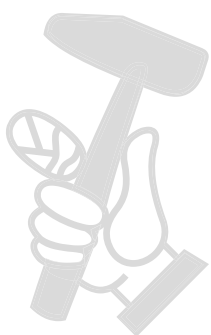
Please note that the following parts of this product are subject to normal or natural wear and that the following parts are therefore also required for use as consumables.

Category	Example
Wear parts*	
Consumables*	Grinding/sanding disks
Missing parts	

\* Not necessarily included in the scope of delivery!

In the event of defects or faults, please register the problem on the internet at [www.isc-gmbh.info](http://www.isc-gmbh.info). Please ensure that you provide a precise description of the problem and answer the following questions in all cases:

- Did the equipment work at all or was it defective from the beginning?
- Did you notice anything (symptom or defect) prior to the failure?
- What malfunction does the equipment have in your opinion (main symptom)? Describe this malfunction.



## Warranty certificate

Dear Customer,

All of our products undergo strict quality checks to ensure that they reach you in perfect condition. In the unlikely event that your device develops a fault, please contact our service department at the address shown on this guarantee card. You can also contact us by telephone using the service number shown. Please note the following terms under which guarantee claims can be made:

1. These guarantee terms apply to consumers only, i.e. natural persons intending to use this product neither for their commercial activities nor for any other self-employed activities. These warranty terms regulate additional warranty services, which the manufacturer mentioned below promises to buyers of its new products in addition to their statutory rights of guarantee. Your statutory guarantee claims are not affected by this guarantee. Our guarantee is free of charge to you.
2. The warranty services cover only defects due to material or manufacturing faults on a product which you have bought from the manufacturer mentioned below and are limited to either the rectification of said defects on the product or the replacement of the product, whichever we prefer. Please note that our devices are not designed for use in commercial, trade or professional applications. A guarantee contract will not be created if the device has been used by commercial, trade or industrial business or has been exposed to similar stresses during the guarantee period.
3. The following are not covered by our guarantee:
  - Damage to the device caused by a failure to follow the assembly instructions or due to incorrect installation, a failure to follow the operating instructions (for example connecting it to an incorrect mains voltage or current type) or a failure to follow the maintenance and safety instructions or by exposing the device to abnormal environmental conditions or by lack of care and maintenance.
  - Damage to the device caused by abuse or incorrect use (for example overloading the device or the use of unapproved tools or accessories), ingress of foreign bodies into the device (such as sand, stones or dust, transport damage), the use of force or damage caused by external forces (for example by dropping it).
  - Damage to the device or parts of the device caused by normal or natural wear or tear or by normal use of the device.
4. The guarantee is valid for a period of 24 months starting from the purchase date of the device. Guarantee claims should be submitted before the end of the guarantee period within two weeks of the defect being noticed. No guarantee claims will be accepted after the end of the guarantee period. The original guarantee period remains applicable to the device even if repairs are carried out or parts are replaced. In such cases, the work performed or parts fitted will not result in an extension of the guarantee period, and no new guarantee will become active for the work performed or parts fitted. This also applies if an on-site service is used.
5. To make a claim under the guarantee, please register the defective device at: [www.isc-gmbh.info](http://www.isc-gmbh.info). Please keep your bill of purchase or other proof of purchase for the new device. Devices that are returned without proof of purchase or without a rating plate shall not be covered by the guarantee, because appropriate identification will not be possible. If the defect is covered by our guarantee, then the item in question will either be repaired immediately and returned to you or we will send you a new replacement.

Of course, we are also happy offer a chargeable repair service for any defects which are not covered by the scope of this guarantee or for units which are no longer covered. To take advantage of this service, please send the device to our service address.

Also refer to the restrictions of this warranty concerning wear parts, consumables and missing parts as set out in the service information in these operating instructions.