



GE-WS 18/10 Li-Solo

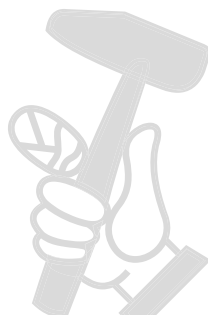
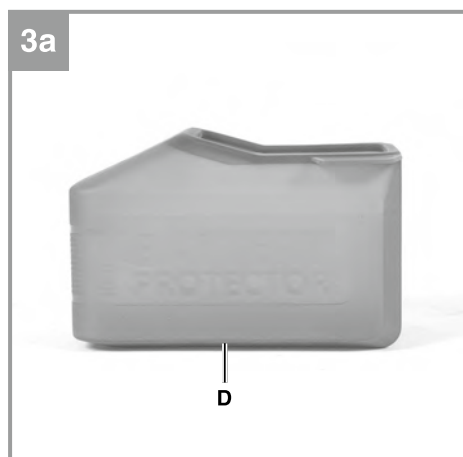
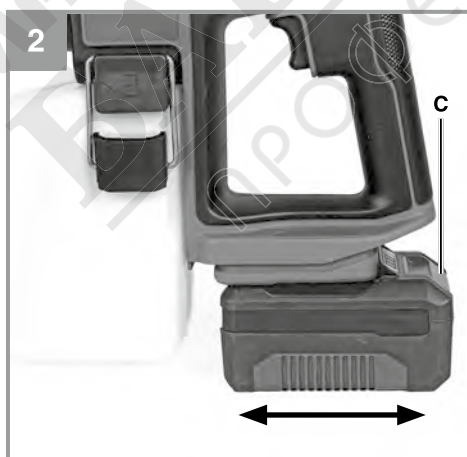
D	Originalbetriebsanleitung Akku-Drucksprüngerät	SLO	Originalna navodila za uporabo Akumulatorska tlačna škropilnica
GB	Original operating instructions Cordless pressure sprayer	H	Eredeti használati utasítás Akkumulátoros-nyomáspermetező
F	Instructions d'origine Pulvérisateur à pression sans fil	RO	Instrucțiuni de utilizare originale Pulverizator sub presiune cu acumulator
I	Istruzioni per l'uso originali Spruzzatore a pressione a batteria	GR	Πρωτότυπες Οδηγίες χρήσης Συσκευή ψεκασμού πίεσης, με μπαταρία
DK/ N	Original betjeningsvejledning Akku-tryksprøjte	P	Manual de instruções original Pulverizador de pressão sem fio
S	Original-bruksanvisning Batteridrivnen tryckspruta	HR/ BIH	Originalne upute za uporabu Akumulatorski tlačna prskalica
CZ	Originální návod k obsluze Akumulátorový tlakový postřikovač	RS	Originalna uputstva za upotrebu Akumulatorski uređaj za prskanje pod pritiskom
SK	Originálny návod na obsluhu Akumulátorový tlakový postrekovač	PL	Instrukcja oryginalną Akumulatorowy opryskiwacz ciśnieniowy
NL	Originele handleiding Accu druksproeier	TR	Orijinal Kullanma Talimatı Akülü ilaçlama pompası
E	Manual de instrucciones original Pulverizador a presión inalámbrico	EE	Originaalkasutusjuhend Akuga aiaprits
FIN	Alkuperäiskäyttöohje Akku-paineruisku		

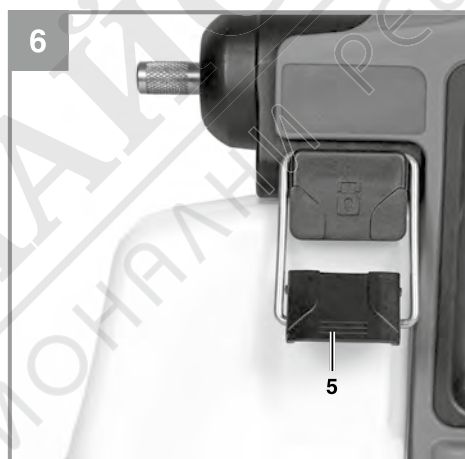
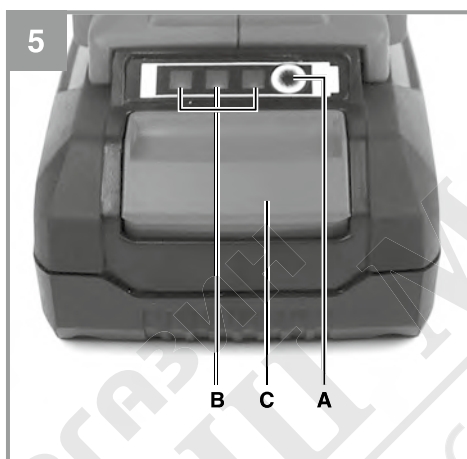
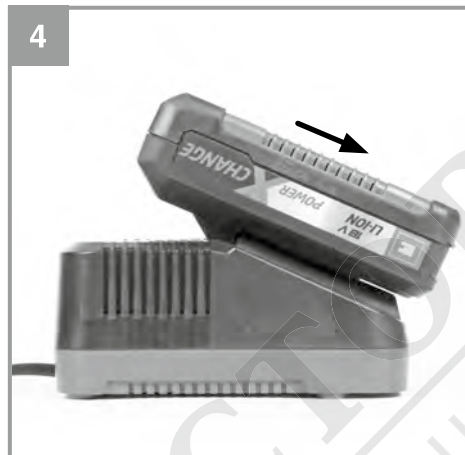
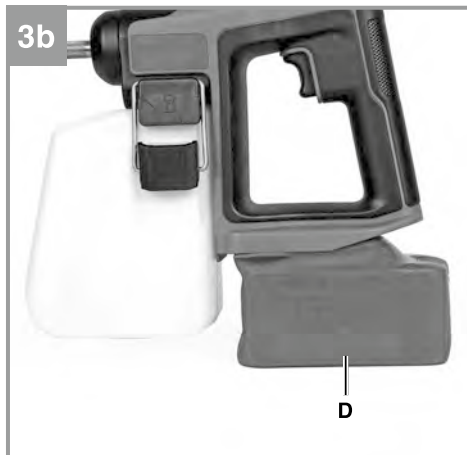
13

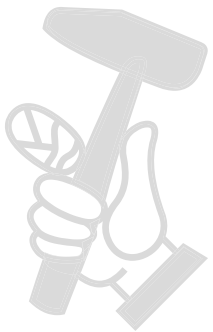
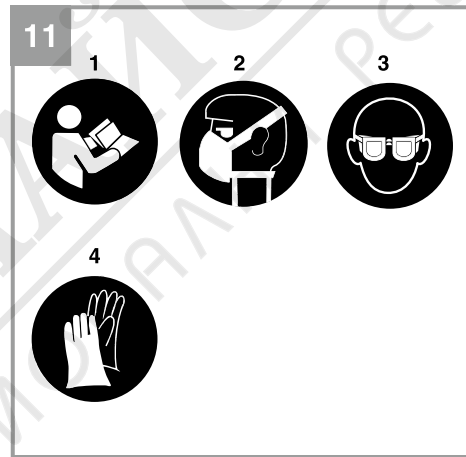
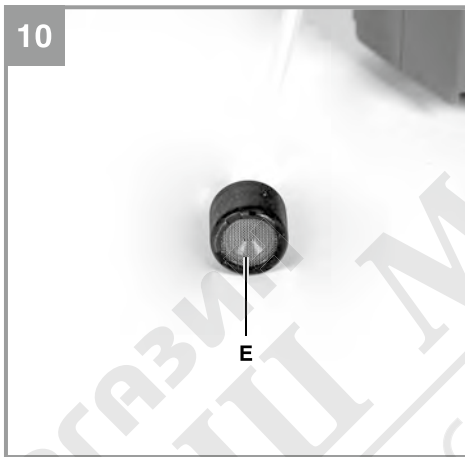
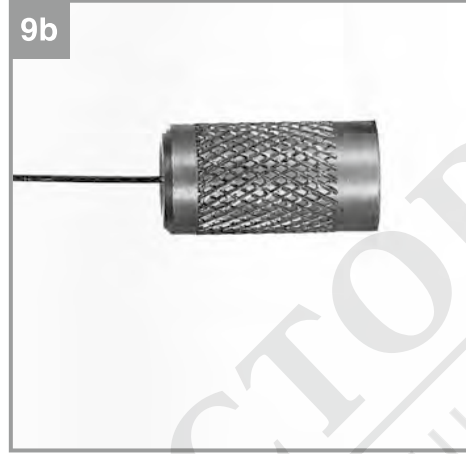
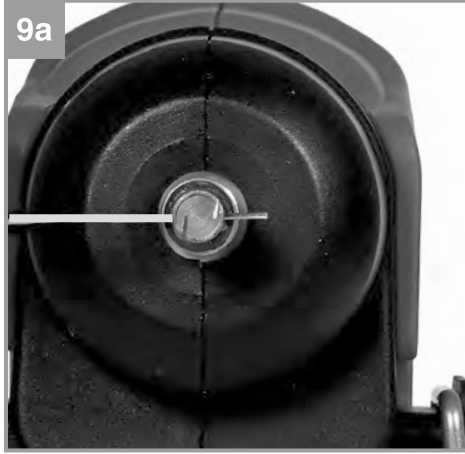


Art.-Nr.: 34.252.40 (Solo)

I.-Nr.: 21012







Danger!

When using the equipment, a few safety precautions must be observed to avoid injuries and damage. Please read the complete operating instructions and safety regulations with due care. Keep this manual in a safe place, so that the information is available at all times. If you give the equipment to any other person, hand over these operating instructions and safety regulations as well. We cannot accept any liability for damage or accidents which arise due to a failure to follow these instructions and the safety instructions.

Explanation of the symbols used (see Fig. 11)

1. **Danger!** - Read the operating instructions to reduce the risk of injury.
2. **Caution! Wear a protective mask.**
3. **Caution! Wear safety goggles.**
4. **Caution! Wear suitable protective gloves!**

1. Safety regulations

The corresponding safety information can be found in the enclosed booklet.

Warning!

Read all the safety information, instructions, illustrations and technical data provided on or with this power tool. Failure to adhere to the following instructions may result in electric shock, fire and/or serious injury.

Keep all the safety information and instructions in a safe place for future use.

- Wear suitable, close-fitting clothing. Wear an impermeable head covering when working overhead.
- Never leave the sprayer standing in the sun.
- Do not spray any toxic substances. Note the safety data sheets for chemical substances and preparation. Contact the manufacturer if in doubt.
- Keep away from third parties and animals while spraying.

Children are not allowed to use this equipment. Children should be supervised so that they do not play with the equipment. Children are not allowed to carry out cleaning or maintenance. This equipment is not allowed to be used by people with limited physical, sensory or mental capacities or by those with insufficient knowledge or experience unless they are supervised or instructed by a person who is responsible for them.

2. Layout and items supplied**2.1 Layout (Fig. 1)**

1. Adjustable spray head
2. On/Off switch
3. Motor component
- 3a Handle
4. Battery mount
5. Tank fastener
6. Spray container
7. Clip
8. Counterholder

2.2 Items supplied

Please check that the article is complete as specified in the scope of delivery. If parts are missing, please contact our service center or the sales outlet where you made your purchase at the latest within 5 working days after purchasing the product and upon presentation of a valid bill of purchase. Also, refer to the warranty table in the service information at the end of the operating instructions.

- Open the packaging and take out the equipment with care.
- Remove the packaging material and any packaging and/or transportation braces (if available).
- Check to see if all items are supplied.
- Inspect the equipment and accessories for transport damage.
- If possible, please keep the packaging until the end of the guarantee period.

Danger!

The equipment and packaging material are not toys. Do not let children play with plastic bags, foils or small parts. There is a danger of swallowing or suffocating!

- Pressure sprayer
- Original operating instructions
- Safety information

3. Intended use

The pressure sprayer is designed exclusively for spraying the following liquids at home, in the garden or in greenhouses:

- Water
- Pesticides
- Weedkillers

- Natural oils dissolved in water (e.g. neem oil, rapeseed oil)
- Fertilizers dissolved in water

Liquids to be sprayed, particularly natural oils dissolved in water, must have a water-like consistency. Liquids of greater viscosity cannot be sprayed, or only with lesser power.

Only liquid fertilizers, weedkillers and pesticides that are approved by the local licensing authority in the country of use may be sprayed. At the time of manufacture, no harmful effects on the materials used are known to be caused by these approved substances or natural oils dissolved in water. The fertilizers, pesticides and weedkillers are only allowed to be sprayed in the concentrations specified by the manufacturer of the spray solutions. If in doubt, please contact the relevant manufacturer.

The pressure sprayer is not designed to be used with foodstuffs or to spray liquids that exceed the maximum permitted operating temperature of 40°C. Similarly, it is prohibited to spray acidic, caustic and flammable liquids whose flash point is below 55 °C. Similarly it is prohibited to spray any impregnating agents, paints, varnishes, greases, mineral oils and synthetically manufactured oils. **Important!** Atomized flammable liquids with a flash point in excess of 55 °C are also highly combustible.

Never use the pressure sprayer

- as a flame gun
- for storing liquids

The equipment is to be used only for its prescribed purpose. Any other use is deemed to be a case of misuse. The user / operator and not the manufacturer will be liable for any damage or injuries of any kind caused as a result of this.

Please note that our equipment has not been designed for use in commercial, trade or industrial applications. Our warranty will be voided if the machine is used in commercial, trade or industrial businesses or for equivalent purposes.

4. Technical data

Power supply: 18 V DC
 Pump type: Membrane pump
 Motor speed: 2,100 min⁻¹
 Tank capacity approx.: 1.1 l
 Filling capacity max.: 1.0 l
 Flow rate, Vmax: 9.6 l/h
 Spray pressure: 0.13 MPa (1.3 bar 19 psi)
 Residual quantity: < 5 ml
 Permissible maximum operating temperature:
 + 40 °C
 Protection type: IPX1
 Weight (without battery): 0.63 kg

Important!

The equipment is supplied without batteries and without a charger and is allowed to be used only with the lithium-ion batteries of the Power X-Change series!

The lithium-ion batteries of the Power X-Change series are allowed to be charged only with the Power X-Charger.

Danger!

Sound and vibration

Sound and vibration values were measured in accordance with EN 62841.

L_{pA} sound pressure level 68.6 dB(A)
 K_{pA} uncertainty 3 dB
 L_{WA} sound power level 79.6 dB(A)
 K_{WA} uncertainty 3 dB

Total vibration values (vector sum of three directions) determined in accordance with EN 62841.

Handle

Vibration emission value $a_n \leq 2.5 \text{ m/s}^2$
 K uncertainty = 1.5 m/s²

The stated vibration emission levels and stated noise emission values were measured in accordance with a set of standardized criteria and can be used to compare one power tool with another.

The stated vibration emission levels and stated noise emission values can also be used to make an initial assessment of exposure.

Warning:

The vibration and noise emission levels may vary from the level specified during actual use, depending on the way in which the power tool is used, especially the type of workpiece it is used for.

Keep the noise emissions and vibrations to a minimum.

- Only use appliances which are in perfect working order.
- Service and clean the appliance regularly.
- Adapt your working style to suit the appliance.
- Do not overload the appliance.
- Have the appliance serviced whenever necessary.
- Switch the appliance off when it is not in use.
- Wear protective gloves.

Caution!**Residual risks**

Even if you use this electric power tool in accordance with instructions, certain residual risks cannot be ruled out. The following hazards may arise in connection with the equipment's construction and layout:

1. Lung damage if no suitable protective mask is used.
2. Contact with hazardous substances. Spray materials can be harmful if inhaled or swallowed or if allowed to come into contact with the skin or eyes. Follow the instructions and wear suitable protective equipment.
3. Health damage caused by hand-arm vibrations if the equipment is used over a prolonged period or is not properly guided and maintained.

5. Before starting the equipment**Warning!**

Always remove the battery before making adjustments to the tool.

5.1 Installing the battery

Note: The tool is supplied without a battery and without a charger!

Press the pushlock button (Item C) of the battery pack as shown in Fig. 2 and push the battery pack into the mount provided. When the battery pack is positioned as in Fig. 2, make sure that the pushlock button latches in place! To remove the battery pack, proceed in reverse order.

Caution!

Protect your battery pack against moisture, rain and high humidity. Make sure that no water runs over the battery pack or its contacts during operation.

Use the separately available PXC battery protector (Fig. 3a) if required. First insert the battery in your PXC device (Fig. 2). As you do so, make sure that the contacts on the equipment and on the battery are dry. Now pull the PXC battery protector (D) over the battery (Fig. 3b). Make sure that the cover is not damaged, is correctly seated and seals off every contact surface with the equipment. Always remove the PXC battery protector before you take the battery out of the equipment.

5.2 Charging the battery

1. Take the battery pack out of the equipment. To do so, press the pushlock button (Fig. 2/Item C).
2. Check that your mains voltage is the same as that marked on the rating plate of the battery charger. Insert the power plug of the charger into the socket outlet. The green LED will then begin to flash.
3. Insert the battery pack into the charger (Fig. 4).
4. In the section entitled „Charger indicator“ you will find a table with an explanation of the LED indicator on the charger.

The battery pack can become a little warm during the charging. This is normal.

If the battery pack fails to charge, check:

- whether there is voltage at the socket outlet
- whether there is good contact at the charging contacts

If the battery pack still fails to charge, send

- the charger
 - and the battery pack
- to our customer service center.

To ensure that items are properly packaged and delivered when you send them to us, please contact our customer service or the point of sale at which the equipment was purchased.

When shipping or disposing of batteries and cordless tools, always ensure that they are packed individually in plastic bags to prevent short circuits and fires.

To ensure that the battery pack provides long service, you should take care to recharge it promptly. You must recharge the battery pack when you notice that the performance of the device drops. Never allow the battery pack to become fully discharged. This will cause it to develop a defect.

5.3 Battery charge level indicator (Fig. 5)

Press the button for the battery charge level indicator (Item A). The battery charge level indicator (Item B) shows the charge status of the battery using 3 LEDs.

All 3 LEDs are lit:

The battery is fully charged.

2 or 1 LED(s) are lit:

The battery has an adequate remaining charge.

1 LED flashes:

The battery is empty, recharge the battery.

All LEDs blink:

The battery temperature is too low. Remove the battery from the equipment, keep it at room temperature for one day. If the fault reoccurs, this means that the rechargeable battery has undergone exhaustive discharge and is defective. Remove the battery from the equipment. Never use or charge a defective battery.

5.4 Preparing the spray solution and filling the tank

Switch off the tool and remove the battery pack.

Note:

- Always prepare and use the spray solution in accordance with the instructions issued by the solution manufacturer. Fill the tank only with the amount of solution you intend to use.
- The consistency of the spray solution must be similar to that of water.
- The spray solution tank has a maximum capacity of 1.0 liter of solution.
- Never use pesticides in living quarters, stables, or storage rooms for food and animal feed. Pesticides are allowed to be used only outdoors.
- Spray solution can be prepared and thoroughly mixed in a separate container before it is filled into the tank of the pressure sprayer.

- If you intend to use organic spray solutions, they must be filtered before you fill them into the sprayer.
- Clean the tool immediately after each use. This is the only way to keep the solution-carrying components clean and prevent clogging. Clogged components can result in defects.

1. Place the pressure sprayer on a level surface. Flip up the tank fasteners (Fig. 6/Item 5) and lift the motor component off the spray solution tank. The spray solution tank has a maximum capacity of 1 liter.
2. Fill the fully prepared spray solution into the spray solution tank. Do this with the help of a suitable funnel if necessary. Place the motor component back on the spray solution container.
3. Attach the name of the current spray solution to the spray solution tank.

6. Operation

6.1 Switching on

Press the On/Off switch (Fig. 1/Item 2).

6.2 Switching off

Let go of the On/Off switch (Fig. 1/Item 2).

6.3 Spraying

WARNING!

Read the enclosed booklet containing the safety information.

- Spray the plants or other objects directly with a moderately wide spray jet.

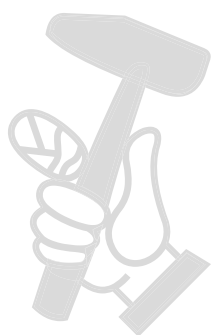
6.3.1 Adjusting the spray jet

At the nozzle you can adjust the shape of the spray jet from dot-shaped (concentrated spray on a small area) to fan-shaped (finely atomized spray over a large area).

1. Interrupt the spraying.
2. Turn the adjustable spray head (Fig. 7/Item 1) counter-clockwise to obtain a narrow to dot-shaped spray jet.
3. Turn the adjustable spray head clockwise to obtain a wider spray jet.

6.4 Transport

Carry the tool by its handle (Fig. 1 / Item 3a).



7. Cleaning, maintenance and ordering spare parts

Hazard!

Always pull out the battery pack before starting any cleaning work. Never use flammable solvents to clean the equipment.

7.1 Cleaning (outside)

- Keep all safety devices, air vents and the motor housing free of dirt and dust as far as possible. Wipe the equipment with a clean cloth or blow it with compressed air at low pressure.
- We recommend that you clean the device immediately each time you have finished using it.
- Clean the equipment regularly with a moist cloth and some soft soap. Do not use cleaning agents or solvents; these could attack the plastic parts of the equipment. Ensure that no water can seep into the device. The ingress of water into an electric tool increases the risk of an electric shock.

7.2 Cleaning the inside of the container.

After use, clean the equipment and leave the container open to dry. Note the cleaning instructions in the directions for use that came with the chemical in addition to these cleaning instructions.

Remove any remaining liquid from the tank through the container's filler opening and store the liquid properly for subsequent use or dispose of it in accordance with the applicable regulations.

1. Flip the container caps (Fig. 6/Item 5) up and remove the motor part from the container.
2. Empty the container completely.
3. Pour about 0,5 liters of clear water into the empty container.
4. Fit the motor part back onto the container and close the container by hooking the caps on the motor part and flipping them down.
5. Shake the pressure spray vigorously several times.
6. Spray the contents onto the area just treated or an area reserved for this purpose.
7. Repeat this process.
8. The container can now be drained through the filler opening as described above.
9. Allow the container to dry out completely before attaching it to the motor part again.

7.3 Cleaning the nozzle and adjustable spray head

If foreign bodies have collected in the nozzle and clogged it up, clean the nozzle as follows (never blow it out with your mouth!):

1. Turn the adjustable spray head counterclockwise as far as it will go (Fig. 8).
2. Clean the exposed nozzle (Fig. 9a) and the hole in the spray head (Fig. 9b) of residue using a thin wire.
3. Flush the nozzle and spray head with clear water.
4. Allow the nozzle and spray head to dry.

7.4 Cleaning the intake filter (Fig. 10)

Clean the intake filter in the tank at least once a year, as soon as you notice a reduction in the sprayed quantity of solution, or when problems arise (see section 10).

1. Remove the motor component from the tank (see section 5.4).
2. Clean the intake filter (Item E) with a brush in clear water.
3. Place the motor component back on the tank (see section 5.4)

7.5 Maintenance

There are no parts inside the equipment which require additional maintenance.

7.6 Ordering replacement parts:

Please quote the following data when ordering replacement parts:

- Type of machine
- Article number of the machine
- Identification number of the machine
- Replacement part number of the part required

For our latest prices and information please go to www.Einhell-Service.com

8. Disposal and recycling

The equipment is supplied in packaging to prevent it from being damaged in transit. The raw materials in this packaging can be reused or recycled. The equipment and its accessories are made of various types of material, such as metal and plastic. Never place defective equipment in your household refuse. The equipment should be taken to a suitable collection center for proper disposal. If you do not know the whereabouts of such a collection point, you should ask in your local council offices.

9. Storage and transport

9.1 Storage

Store the equipment and its accessories in a dark and dry place at above freezing temperature. The ideal storage temperature is between 5 and 30 °C. Store the electric equipment in its original packaging.

Equipment must always be stored completely dry and clean.

9.2 Transport

- Switch off the equipment and remove the battery.
- Fit the shipping protectors, if any.
- Protect the machine from damage and the strong vibrations that can occur particularly when transporting in vehicles.
- Secure the machine

10. Troubleshooting guide

Fault	Possible cause	Remedy
The motor does not start	a) Equipment not switched on b) Connections on motor loose c) Battery not correctly inserted	a) Press the On/Off switch (see section 6.) b) Have the tool checked by a customer service workshop c) Remove the battery pack and insert it again (see section 5.)
The equipment does not spray, or only sprays at reduced power, even though the tank is full	a) The nozzle is fully or partially clogged b) The intake filter in the spray solution tank is fully or partially soiled c) The solution has too high a viscosity and therefore unsuitable	a) Clean the nozzle (see section 7.3) b) Clean the intake filter (see section 7.4) c) Remove the solution and clean the tool and the tank (see section 7.)
Too much spray mist	a) Distance from object is too great b) Spray width too great	a) Reduce the spraying distance b) Reduce the spraying width (see section 6.3.1)
Motor stops suddenly	Battery spent	Insert a charged battery pack (see section 5.1)

11. Charger indicator

Indicator status		Explanations and actions
Red LED	Green LED	
Off	Flashing	<p>Ready for use The charger is connected to the mains and is ready for use; there is no battery pack in the charger</p>
On	Off	<p>Charging The charger is charging the battery pack in quick charge mode. The charging times are shown directly on the charger. Important! The actual charging times may vary slightly from the stated charging times depending on the existing battery charge.</p>
Off	On	<p>The battery is charged and ready for use. (READY TO GO) The unit then changes over to gentle charging mode until the battery is fully charged. To do this, leave the rechargeable battery on the charger for approx. 15 minutes longer. Action: Take the battery pack out of the charger. Disconnect the charger from the mains supply.</p>
Flashing	Off	<p>Adapted charging The charger is in gentle charging mode. For safety reasons the charging is performed less quickly and takes more time. The reasons can be: - The rechargeable battery has not been used for a very long time. - The battery temperature is outside the ideal range. Action: Wait for the charging to be completed; you can still continue to charge the battery pack.</p>
Flashing	Flashing	<p>Fault Charging is no longer possible. The battery pack is defective. Action: Never charge a defective battery pack. Take the battery pack out of the charger.</p>
On	On	<p>Temperature fault The battery pack is too hot (e.g. due to direct sunshine) or too cold (below 0° C). Action: Remove the battery pack and keep it at room temperature (approx. 20° C) for one day .</p>



For EU countries only

Never place any electric power tools in your household refuse.

To comply with European Directive 2012/19/EC concerning old electric and electronic equipment and its implementation in national laws, old electric power tools have to be separated from other waste and disposed of in an environment-friendly fashion, e.g. by taking to a recycling depot.

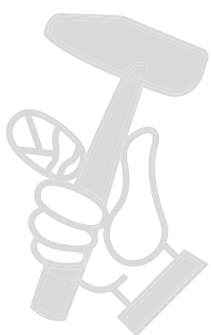
Recycling alternative to the return request:

As an alternative to returning the equipment to the manufacturer, the owner of the electrical equipment must make sure that the equipment is properly disposed of if he no longer wants to keep the equipment. The old equipment can be returned to a suitable collection point that will dispose of the equipment in accordance with the national recycling and waste disposal regulations. This does not apply to any accessories or aids without electrical components supplied with the old equipment.

Please note that batteries and lamps (e.g. light bulbs) must be removed from the tool before it is disposed of.

The reprinting or reproduction by any other means, in whole or in part, of documentation and papers accompanying products is permitted only with the express consent of the Einhell Germany AG.

Subject to technical changes



Service information

We have competent service partners in all countries named on the guarantee certificate whose contact details can also be found on the guarantee certificate. These partners will help you with all service requests such as repairs, spare and wearing part orders or the purchase of consumables.

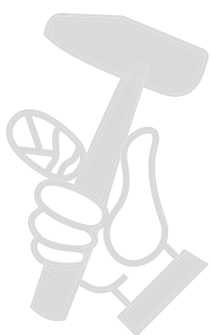
Please note that the following parts of this product are subject to normal or natural wear and that the following parts are therefore also required for use as consumables.

Category	Example
Wear parts*	Nozzle
Consumables*	
Missing parts	

* Not necessarily included in the scope of delivery!

In the effect of defects or faults, please register the problem on the internet at www.Einhell-Service.com. Please ensure that you provide a precise description of the problem and answer the following questions in all cases:

- Did the equipment work at all or was it defective from the beginning?
- Did you notice anything (symptom or defect) prior to the failure?
- What malfunction does the equipment have in your opinion (main symptom)? Describe this malfunction.



Warranty certificate

Dear Customer,

All of our products undergo strict quality checks to ensure that they reach you in perfect condition. In the unlikely event that your device develops a fault, please contact our service department at the address shown on this guarantee card. You can also contact us by telephone using the service number shown. Please note the following terms under which guarantee claims can be made:

1. These guarantee terms apply to consumers only, i.e. natural persons intending to use this product neither for their commercial activities nor for any other self-employed activities. These warranty terms regulate additional warranty services, which the manufacturer mentioned below promises to buyers of its new products in addition to their statutory rights of guarantee. Your statutory guarantee claims are not affected by this guarantee. Our guarantee is free of charge to you.
2. The warranty services cover only defects due to material or manufacturing faults on a product which you have bought from the manufacturer mentioned below and are limited to either the rectification of said defects on the product or the replacement of the product, whichever we prefer. Please note that our devices are not designed for use in commercial, trade or professional applications. A guarantee contract will not be created if the device has been used by commercial, trade or industrial business or has been exposed to similar stresses during the guarantee period.
3. The following are not covered by our guarantee:
 - Damage to the device caused by a failure to follow the assembly instructions or due to incorrect installation, a failure to follow the operating instructions (for example connecting it to an incorrect mains voltage or current type) or a failure to follow the maintenance and safety instructions or by exposing the device to abnormal environmental conditions or by lack of care and maintenance.
 - Damage to the device caused by abuse or incorrect use (for example overloading the device or the use of unapproved tools or accessories), ingress of foreign bodies into the device (such as sand, stones or dust, transport damage), the use of force or damage caused by external forces (for example by dropping it).
 - Damage to the device or parts of the device caused by normal or natural wear or tear or by normal use of the device.
4. The guarantee is valid for a period of 24 months starting from the purchase date of the device. Guarantee claims should be submitted before the end of the guarantee period within two weeks of the defect being noticed. No guarantee claims will be accepted after the end of the guarantee period. The original guarantee period remains applicable to the device even if repairs are carried out or parts are replaced. In such cases, the work performed or parts fitted will not result in an extension of the guarantee period, and no new guarantee will become active for the work performed or parts fitted. This also applies if an on-site service is used.
5. To make a claim under the guarantee, please register the defective device at: www.Einhell-Service.com. Please keep your bill of purchase or other proof of purchase for the new device. Devices that are returned without proof of purchase or without a rating plate shall not be covered by the guarantee, because appropriate identification will not be possible. If the defect is covered by our guarantee, then the item in question will either be repaired immediately and returned to you or we will send you a new replacement.

Of course, we are also happy offer a chargeable repair service for any defects which are not covered by the scope of this guarantee or for units which are no longer covered. To take advantage of this service, please send the device to our service address.

Also refer to the restrictions of this warranty concerning wear parts, consumables and missing parts as set out in the service information in these operating instructions.