

# DEWALT®



**Manual de Instrucciones  
Manual de Instruções  
Instruction Manual**

**D25966**

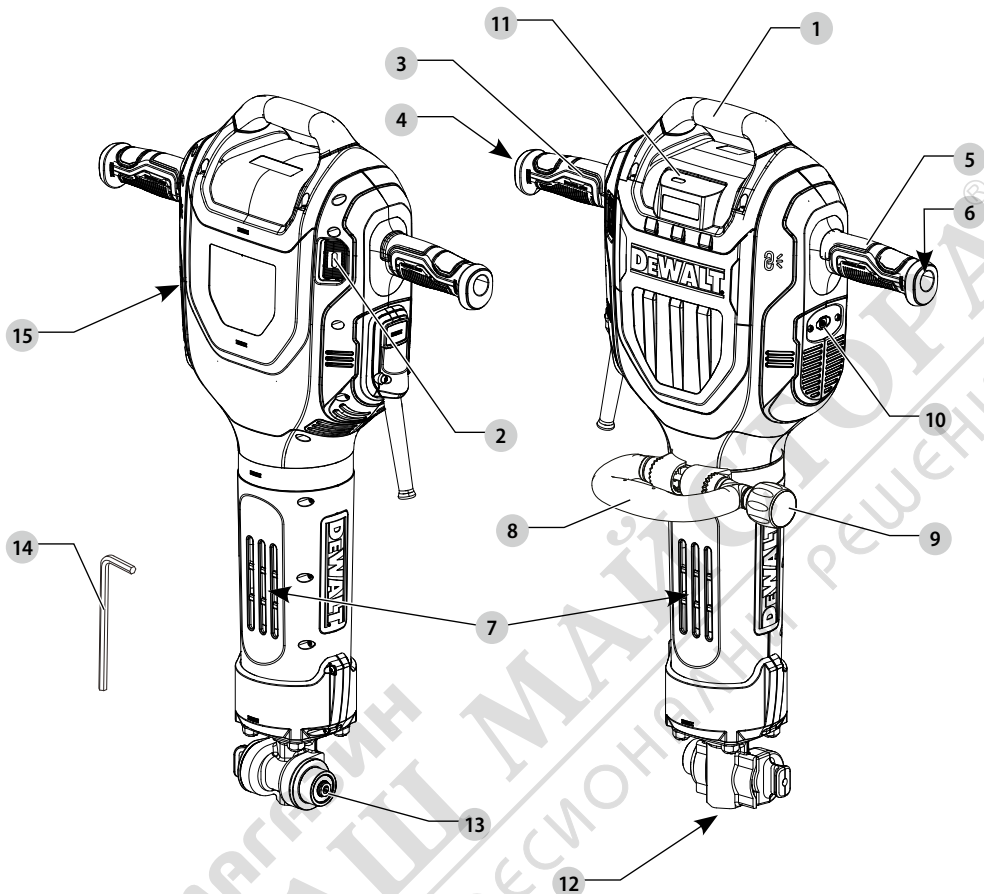
**Martillo Demoledor de 41 lbs 1-1/8" (28 mm) Hex  
Martelo Demolidor de 41 lbs (18,6 kg) 1-1/8" (28 mm)  
41 lbs (18.6Kg) Hex 1-1/8" (28 mm) Demolition Hammer**



**www.DeWALT-LA.com**

¿Dudas? Visítenos en Internet: [www.DeWALT-LA.com](http://www.DeWALT-LA.com)  
Dúvidas? Visite-nos na Internet em [www.DeWALT.com.br](http://www.DeWALT.com.br)  
Questions? See us on the World Wide Web at [www.DeWALT.com](http://www.DeWALT.com)

Fig. A



- |    |   |    |   |    |                                  |
|----|---|----|---|----|----------------------------------|
| 1  | Manija superior                                       | 1  | Alça superior                                     | 1  | Top handle                       |
| 2  | Interruptor On/off<br>(Encendido/Apagado)             | 2  | Botão de ligar/desligar                           | 2  | On/off switch                    |
| 3  | Manija de lado derecho                                | 3  | Alça direita                                      | 3  | Right side handle                |
| 4  | Tornillo de manija derecha                            | 4  | Parafuso direito                                  | 4  | Right handle screw               |
| 5  | Lado izquierdo a                                      | 5  | Lado esquerdo                                     | 5  | Left side a                      |
| 6  | Tornillo de manija izquierda                          | 6  | Parafuso esquerdo                                 | 6  | Left handle screw                |
| 7  | Ventilas de aire                                      | 7  | Respiradouro                                      | 7  | Air vents                        |
| 8  | Manija auxiliar estilo travesaño/lazo                 | 8  | Empunhadura auxiliar circular                     | 8  | Bail/loop style auxiliary handle |
| 9  | Perilla de manija                                     | 9  | Botão da alça                                     | 9  | Handle knob                      |
| 10 | Montaje Tool Connect™                                 | 10 | Montagem da ferramenta Connect™                   | 10 | Tool Connect™ mount              |
| 11 | LED indicador de servicio amarillo                    | 11 | LED indicador de serviço amarelo                  | 11 | Yellow Service indicator LED     |
| 12 | Soporte de herramienta hexagonal<br>de 1-1/8" (28 mm) | 12 | Suporte da ferramenta sextavada<br>1-1/8" (28 mm) | 12 | 1-1/8" (28 mm) hex tool holder   |
| 13 | Perno de retenedor                                    | 13 | Parafuso retentor                                 | 13 | Retainer bolt                    |
| 14 | Llave hexagonal de 5 mm                               | 14 | Chave sextavada de 5 mm                           | 14 | 5 mm hex wrench                  |
| 15 | Retenedor de llave hexagonal                          | 15 | Retenedor da chave sextavada                      | 15 | Hex wrench retainer              |

Fig. B

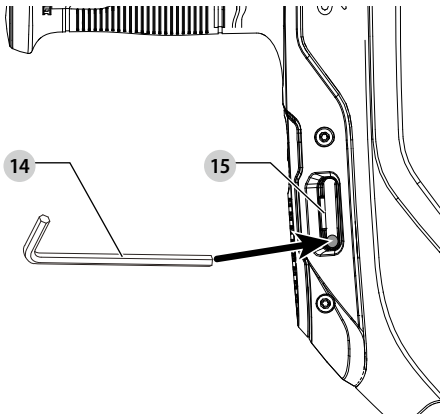


Fig. C

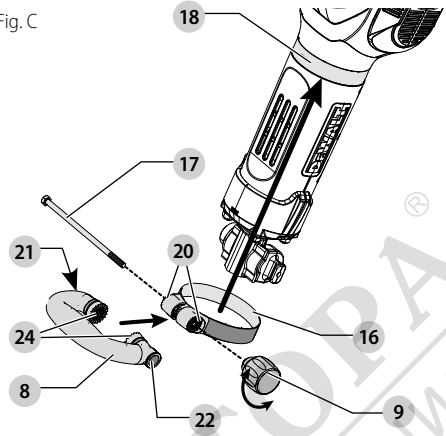


Fig. D

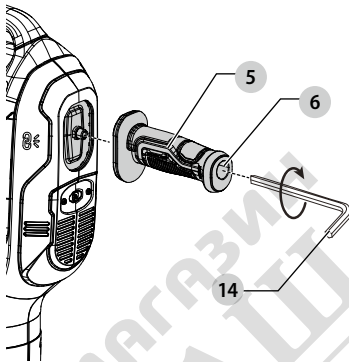


Fig. E

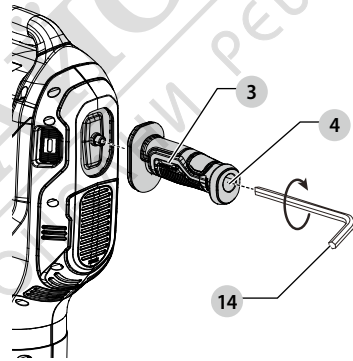


Fig. F

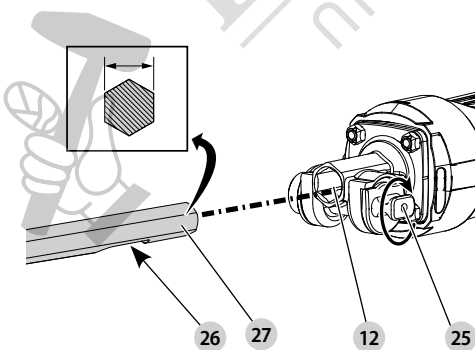


Fig. G

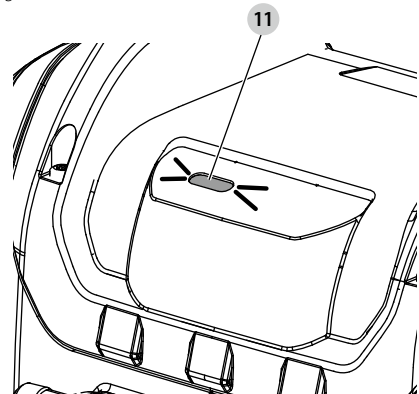


Fig. H

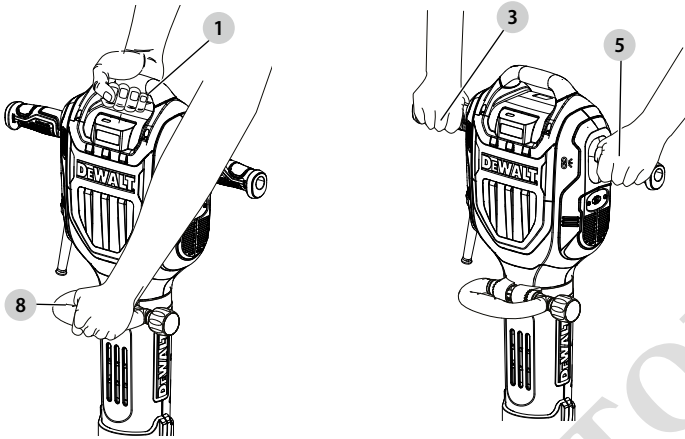


Fig. J

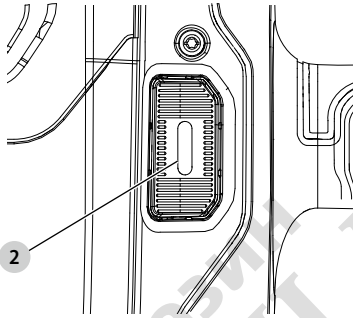


Fig. K

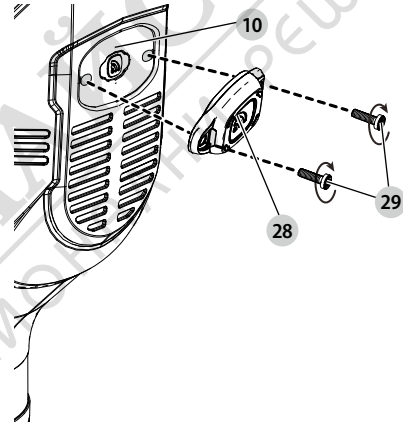
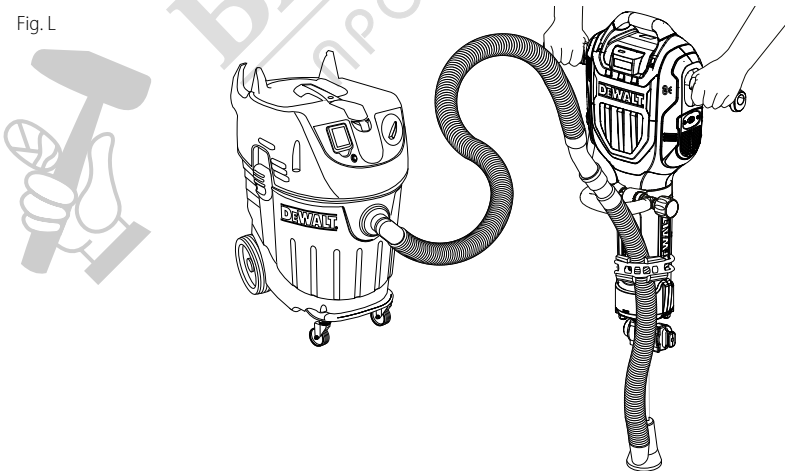


Fig. L





**WARNING: Read all safety warnings and all instructions.** Failure to follow the warnings and instructions may result in electric shock, fire and/or serious injury.



**WARNING:** To reduce the risk of injury, read the instruction manual.

## Intended Use

Your D25966 is designed for professional demolition, chipping and trenching applications in concrete, brick, stone and other masonry materials.

**DO NOT** use under wet conditions or in presence of flammable liquids or gases.

Your D25966 is a professional power tool.

**DO NOT** let children come into contact with the tool. Supervision is required when inexperienced operators use this tool.

## Definitions: Safety Alert Symbols and Words

This instruction manual uses the following safety alert symbols and words to alert you to hazardous situations and your risk of personal injury or property damage.



**DANGER:** Indicates an imminently hazardous situation which, if not avoided, **will** result in **death or serious injury**.



**WARNING:** Indicates a potentially hazardous situation which, if not avoided, **could** result in **death or serious injury**.



**CAUTION:** Indicates a potentially hazardous situation which, if not avoided, **may** result in **minor or moderate injury**.



(Used without word) Indicates a safety related message.

**NOTICE:** Indicates a practice **not related to personal injury** which, if not avoided, **may** result in **property damage**.

## GENERAL POWER TOOL SAFETY WARNINGS



**WARNING: Read all safety warnings, instructions, illustrations and specifications provided with this power tool.** Failure to follow all instructions listed below may result in electric shock, fire and/or serious injury.

### SAVE ALL WARNINGS AND INSTRUCTIONS FOR FUTURE REFERENCE.

The term "power tool" in the warnings refers to your mains-operated (corded) power tool or battery-operated (cordless) power tool.

### 1) Work Area Safety

- Keep work area clean and well lit.** Cluttered or dark areas invite accidents.
- Do not operate power tools in explosive atmospheres, such as in the presence of flammable liquids, gases or dust.** Power tools create sparks which may ignite the dust or fumes.
- Keep children and bystanders away while operating a power tool.** Distractions can cause you to lose control.

### 2) Electrical Safety

- Power tool plugs must match the outlet. Never modify the plug in any way. Do not use any adapter plugs with earthed (grounded) power tools.** Unmodified plugs and matching outlets will reduce risk of electric shock.
- Avoid body contact with earthed or grounded surfaces, such as pipes, radiators, ranges and refrigerators.** There is an increased risk of electric shock if your body is earthed or grounded.
- Do not expose power tools to rain or wet conditions.** Water entering a power tool will increase the risk of electric shock.
- Do not abuse the cord. Never use the cord for carrying, pulling or unplugging the power tool. Keep cord away from heat, oil, sharp edges or moving parts.** Damaged or entangled cords increase the risk of electric shock.
- When operating a power tool outdoors, use an extension cord suitable for outdoor use.** Use of a cord suitable for outdoor use reduces the risk of electric shock.
- If operating a power tool in a damp location is unavoidable, use a ground fault circuit interrupter (GFCI) protected supply.** Use of a GFCI reduces the risk of electric shock.

### 3) Personal Safety

- Stay alert, watch what you are doing and use common sense when operating a power tool. Do not use a power tool while you are tired or under the influence of drugs, alcohol or medication.** A moment of inattention while operating power tools may result in serious personal injury.
- Use personal protective equipment. Always wear eye protection.** Protective equipment such as a dust mask, non-skid safety shoes, hard hat, or hearing protection used for appropriate conditions will reduce personal injuries.
- Prevent unintentional starting. Ensure the switch is in the off position before connecting to power source and/or battery pack, picking up or carrying the tool.** Carrying power tools with your finger on the switch or energizing power tools that have the switch on invites accidents.
- Remove any adjusting key or wrench before turning the power tool on.** A wrench or a key left attached to a rotating part of the power tool may result in personal injury.
- Do not overreach. Keep proper footing and balance at all times.** This enables better control of the power tool in unexpected situations.
- Dress properly. Do not wear loose clothing or jewelry. Keep your hair, clothing and gloves away from moving parts.** Loose clothes, jewelry or long hair can be caught in moving parts.
- If devices are provided for the connection of dust extraction and collection facilities, ensure these are connected and properly used.** Use of dust collection can reduce dust-related hazards.

- h) **Do not let familiarity gained from frequent use of tools allow you to become complacent and ignore tool safety principles.** A careless action can cause severe injury within a fraction of a second.

#### 4) Power Tool Use and Care

- a) **Do not force the power tool. Use the correct power tool for your application.** The correct power tool will do the job better and safer at the rate for which it was designed.
- b) **Do not use the power tool if the switch does not turn it on and off.** Any power tool that cannot be controlled with the switch is dangerous and must be repaired.
- c) **Disconnect the plug from the power source and/or remove the battery pack, if detachable, from the power tool before making any adjustments, changing accessories, or storing power tools.** Such preventive safety measures reduce the risk of starting the power tool accidentally.
- d) **Store idle power tools out of the reach of children and do not allow persons unfamiliar with the power tool or these instructions to operate the power tool.** Power tools are dangerous in the hands of untrained users.
- e) **Maintain power tools and accessories. Check for misalignment or binding of moving parts, breakage of parts and any other condition that may affect the power tool's operation. If damaged, have the power tool repaired before use.** Many accidents are caused by poorly maintained power tools.
- f) **Keep cutting tools sharp and clean.** Properly maintained cutting tools with sharp cutting edges are less likely to bind and are easier to control.
- g) **Use the power tool, accessories and tool bits, etc. in accordance with these instructions, taking into account the working conditions and the work to be performed.** Use of the power tool for operations different from those intended could result in a hazardous situation.
- h) **Keep handles and grasping surfaces dry, clean and free from oil and grease.** Slippery handles and grasping surfaces do not allow for safe handling and control of the tool in unexpected situations.

#### 5) Service

- a) **Have your power tool serviced by a qualified repair person using only identical replacement parts.** This will ensure that the safety of the power tool is maintained.


#### Additional Safety Instructions for Breakers

- **Wear ear protectors.** Exposure to noise can cause hearing loss.
- **Use auxiliary handles supplied with the tool.** Loss of control can cause personal injury.
- **Hold power tool by insulated gripping surfaces when performing an operation where the cutting accessory may contact hidden wiring or its own cord.** Cutting

accessory contacting a "live" wire may make exposed metal parts of the power tool "live" and could give the operator an electric shock.


- **Be certain that the material being operated on does not conceal electric or gas service and that their locations have been verified with the utility companies.**
- **Keep a firm grip on the tool at all times.** Do not attempt to operate this tool without holding it with both hands. Operating this tool with one hand will result in loss of control. Breaking through or encountering hard materials such as re-bar may be hazardous as well. Tighten the side handle securely before use.
- **Do not recondition accessories yourself.** Chisel reconditioning should be done by a qualified specialist. Improperly reconditioned accessories could cause injury.
- **Wear gloves when operating tool or changing bits.** Accessible metal parts on the tool and bits may get extremely hot during operation. Small bits of broken material may damage bare hands.
- **Never lay the tool down until the bit has come to a complete stop.** Moving bits could cause injury.
- **Do not strike jammed bits with a hammer to dislodge them.** Fragments of metal or material chips could dislodge and cause injury.
- **Ensure the chisel is secured in place before operating the tool.**
- **In cold-weather conditions or when the tool has not been used for a longer period of time, let the tool run with no load for several minutes before use.**
- **When working above ground level ensure the area below is clear.**
- **Do not touch the chisel or the parts close to the chisel immediately after operation, as they may be extremely hot and cause burns to the skin.**
- **Always direct the power cable to the rear, away from the chisel.**
- **Do not operate this tool for long periods of time.** Vibration caused by hammer action may be harmful to your hands and arms. Use gloves to provide extra cushion and limit exposure by taking frequent rest periods.

#### Additional Safety Information

 **WARNING:** Never modify the power tool or any part of it. Damage or personal injury could result.

 **WARNING: ALWAYS** use safety glasses. Everyday eyeglasses are NOT safety glasses. Also use face or dust mask if cutting operation is dusty. **ALWAYS WEAR CERTIFIED SAFETY EQUIPMENT:**

- ANSI Z87.1 eye protection (CAN/CSA Z94.3),
- ANSI S12.6 (S3.19) hearing protection,
- NIOSH/OSHA/MSHA respiratory protection.

 **WARNING:** Some dust created by power sanding, sawing, grinding, drilling, and other construction activities contains chemicals known to the State of California to cause cancer, birth defects or

other reproductive harm. Some examples of these chemicals are:

- lead from lead-based paints,
- crystalline silica from bricks and cement and other masonry products, and
- arsenic and chromium from chemically-treated lumber.

Your risk from these exposures varies, depending on how often you do this type of work. To reduce your exposure to these chemicals: work in a well ventilated area, and work with approved safety equipment, such as those dust masks that are specially designed to filter out microscopic particles.

- **Wear protective clothing and wash exposed areas with soap and water.** Allowing dust to get into your mouth, eyes, or lay on the skin may promote absorption of harmful chemicals. Direct particles away from face and body.
- **Use the appropriate dust extractor vacuum to remove the vast majority of static and airborne dust.** Failure to remove static and airborne dust could contaminate the working environment or pose an increased health risk to the operator and those in close proximity.
- **Use clamps or other practical ways to secure and support the workpiece to a stable platform.** Holding the work by hand or against your body is unstable and may lead to loss of control and injury.
- **Air vents often cover moving parts and should be avoided.** Loose clothes, jewelry or long hair can be caught in moving parts.
- **An extension cord must have adequate wire size (AWG or American Wire Gauge) for safety.** The smaller the gauge number of the wire, the greater the capacity of the cable, that is, 16 gauge has more capacity than 18 gauge. An undersized cord will cause a drop in line voltage resulting in loss of power and overheating. When using more than one extension to make up the total length, be sure each individual extension contains at least the minimum wire size. The following table shows the correct size to use depending on cord length and nameplate ampere rating. If in doubt, use the next heavier gauge. The lower the gauge number, the heavier the cord.

Minimum Gauge for Cord Sets

Volts	Total Length of Cord in Feet (meters)			
	25 (7.6)	50 (15.2)	100 (30.5)	150 (45.7)
120 V				
240 V	50 (15.2)	100 (30.5)	200 (61.0)	300 (91.4)
Ampere Rating	American Wire Gauge			
More Than	Not More Than			
0	6	18	16	14
6	10	18	16	14
10	12	16	16	14
12	16	14	12	Not Recommended

The label on your tool may include the following symbols. The symbols and their definitions are as follows:

- V .....volts
- Hz .....hertz
- min .....minutes
- — — or DC .....direct current
- Ⓜ .....(Class II Construction grounded)

- .../min..... per minute
- BPM .....beats per minute
- IPM .....impacts per minute
- OPM .....oscillations per minute
- RPM .....revolutions per minute
- sfpm .....surface feet per minute
- SPM .....strokes per minute
- A .....amperes
- W .....watts
- Wh.....watt hours
- Ah.....amp hours
- ~ or AC..... alternating current
- ⎓ or AC/DC..... alternating or direct current
- Ⓜ .....Class II Construction (double insulated)
- n<sub>0</sub> .....no load speed
- n .....rated speed
- PSI.....pounds per square inch
- Ⓧ .....earthing terminal
- ⚠ .....safety alert symbol
- ☠ .....visible radiation—do not stare into the light
- ☞ .....wear respiratory protection
- ☞ .....wear eye protection
- ☞ .....wear hearing protection
- 📖 .....read all documentation
- 🚫 .....do not expose to rain

## Motor

Be sure your power supply agrees with the nameplate marking. Voltage decrease of more than 10% will cause loss of power and overheating. These tools are factory tested; if this tool does not operate, check power supply.

## Soft Start Feature

The soft start feature allows the impact rate to build up more slowly, thus preventing the chisel or point from “bouncing” around on the masonry when starting up.

## Active Vibration Control

The active vibration control neutralizes rebound vibration from the hammer mechanism. Lowering hand and arm vibration, it allows more comfortable use for longer periods of time and extends the life of the unit.

## ASSEMBLY AND ADJUSTMENTS

- ⚠ **WARNING: To reduce the risk of serious personal injury, turn unit off and disconnect it from power source before making any adjustments or removing/installing attachments or accessories.** An accidental start-up can cause injury.

## Hex Wrench Storage (Fig. B)

When not in use the 5 mm hex wrench **14** should be stored in the hex wrench retainer **15**.

1. Pull the 5 mm hex wrench **14** from the hex wrench retainer **15** to remove it.
2. Push the 5 mm hex wrench **14** into the hex wrench retainer **15** to store it.

## Bail/Loop Style Auxiliary Handle (Fig. C)

- ⚠ **WARNING: To reduce the risk of personal injury, ALWAYS operate the tool with the bail/loop style auxiliary handle properly installed when using the tool for horizontal applications. Failure to do so may result in the bail/loop style auxiliary handle slipping during tool operation and subsequent loss of control. Hold tool with both hands to maximize control.**

The bail/loop style auxiliary handle **8** clamps to the front of the housing and may be rotated 360° to permit right- or left-hand use.

## Mounting the Bail/Loop Style Auxiliary Handle (Fig. C)

- Disassemble the bail/loop style auxiliary handle **8**. Loosen the handle knob **9** by turning it counterclockwise until it comes off the bail/loop style auxiliary handle **8**.
- Pull the handle bolt **17** from the bail/loop style auxiliary handle **8**.
- Remove the bail/loop style auxiliary handle **8** from the handle assembly.
- Slide the handle assembly onto the nose of the tool through the handle ring opening **16** and onto the handle ring mounting location **18** located on the housing.
- Install the bail/loop style auxiliary handle **8** onto the handle assembly.  
**NOTE:** Ensure the teeth **24** on the bail/loop style auxiliary handle **8** and the handle mount teeth **20** mesh together before proceeding.
- Insert the handle bolt **17** into the handle assembly from the hexagon shaped opening **21** on the side of the bail/loop style auxiliary handle **8**.  
**NOTE:** Do not insert the handle bolt **17** from the handle knob opening side **22**. The handle will not properly tighten.
- Assemble the bail/loop style auxiliary handle **8**.
- Rotate and pivot the bail/loop style auxiliary handle **8** to the desired position.
- Thread the handle knob **9** onto the handle bolt **17** from the handle knob opening side **22** of the bail/loop style auxiliary handle **8**.
- Tighten the handle knob **9** by turning it clockwise until the bail/loop style auxiliary handle **8** is secured in position.

## Side Handles (Fig. D, E)

**CAUTION:** ALWAYS operate the tool with the side handle properly assembled. Hold tool with both hands to maximize control.

- Attach the left side handle **5** with hex head screw **6** located inside the end of the handle. Fully tighten with 5 mm hex wrench **14** (supplied).
- Attach the right side handle **3** with hex head screw **4** located inside the end of the handle. Fully tighten with 5 mm hex wrench **14** (supplied).  
**NOTE:** Side handles **3** and **5** must be installed in the proper orientation with the key on the end of the grip facing down.  
**NOTE:** Store the 5 mm hex wrench **14** in the hex wrench retainer **15**.

## Inserting and Removing 1-1/8" (28 mm) Hex Accessories (Fig. F)

This machine uses chisels with a 1-1/8" (28 mm) hex shank. We recommend to use professional accessories only.

**WARNING:** Since accessories other than those offered by DEWALT have not been tested with this product, the use of such accessories may entail hazardous situations. To reduce the risk of injury, use only accessories recommended by DEWALT.

**WARNING:** Clean the chisel shank before use.

**WARNING:** Do not apply lubricant to the machine.



## To fit a chisel with notch in the shank, proceed as follows (Fig. F)

- Pull the tool retainer **25** and rotate it 180° to the unlock position.
- Hold the chisel in front of the tool holder with the notch **26** facing downwards.
- Insert the chisel shank **27** into the 1-1/8" (28 mm) hex tool holder **12**.
- Rotate the tool retainer **25** 180° so it slides back into the lock position to lock the accessory in position.
- Pull on the chisel to check if it is properly locked. The hammering function requires the chisel to be able to move axially several inches when locked in the tool holder.
- To remove a chisel pull the tool retainer **25** and rotate it 180° to the unlock position and pull the chisel out of the tool holder.

**WARNING:** Always wear gloves when you change accessories. The exposed metal parts on the tool and accessory may become extremely hot during operation.

## Service Indicator LED (Fig. G)

Your D25966 has one LED, indicating a service indicator. Refer to the table for more information on LED functionality.

LED Function	Description
 Yellow (permanently on)	<b>Service required</b> The yellow service indicator LED <b>11</b> lights up to indicate the tool needs servicing within the next 10 hours of use (new lubrication and hammer mechanism sealing).
 Yellow (flashing)	<b>Service exceeded</b> With the service indicator lit, after a further 10 hours of use the service indicator flashes to indicate the tool has exceeded the required service interval.

## Wireless Tool Control™ (Fig. A)

**CAUTION:** Read all safety warnings, instructions and specifications of the appliance which is to be paired with the tool.

Your tool is equipped with a Wireless Tool Control™ transmitter which allows your tool to be wirelessly paired with another Wireless Tool Control™ device, such as a dust extractor.

To pair your tool using Wireless Tool Control™, push the on/off switch **2** on the tool to the on position and press the Wireless Tool Control™ pairing button on the separate device. An LED on the separate device will let you know when your tool has been successfully paired.

## OPERATION

**⚠ WARNING:** To reduce the risk of serious personal injury, turn unit off and disconnect it from power source before making any adjustments or removing/installing attachments or accessories. An accidental start-up can cause injury.

**⚠ WARNING:** Always observe the safety instructions and applicable regulations.

**⚠ WARNING:** Be aware of the location of pipework and wiring.

**⚠ WARNING:** Apply a pressure of approx. 44–66 lbs. (20–30 kg) to the tool. Excessive force does not speed up chiseling but decreases tool performance and may shorten tool life.

### Proper Hand Position (Fig. H)

**⚠ WARNING:** To reduce the risk of serious personal injury, ALWAYS use proper hand position as shown.

**⚠ WARNING:** To reduce the risk of serious personal injury, ALWAYS hold securely in anticipation of a sudden reaction.

**IMPORTANT:** The tool must be held with two hands at all times when in use.

### Horizontal Applications (Fig. H)

Proper hand position requires one hand on the bail/loop style auxiliary handle **8** with the other hand on the top handle **1**.

### Vertical Applications (Fig. H)

Proper hand position requires both hands on the left handle **5** and right handle **3**.

### Switching On and Off (Fig. A, J)

To turn the tool on, set the on/off switch **2** to position 1. To turn the tool off, set the on/off switch **2** to position 0.

### Demolition (Fig. H)

**⚠ WARNING:** Ensure that the cutting edge does not show discoloration caused by too much pressure. This may impair the hardness of the accessory.

Various types of chisels are available as an option.

1. Select the appropriate chisel. Clean the chisel shank **27**.
2. Insert the chisel and check whether it is properly locked.
3. Fit and adjust the bail/loop style auxiliary handle **8** and make sure it is firmly tightened.
4. Hold the tool by the bail/loop style auxiliary handle **8** and the top handle **1** or the left handle **5** and right handle **3** before switching ON.
5. The tool now runs in continuous operation.  
**IMPORTANT: ALWAYS** use two hands when operating the tool. Refer to **Proper Hand Position** for the proper use of the tool for both horizontal and vertical applications.
6. Always switch off the tool when work is finished and before unplugging.

## MAINTENANCE

**⚠ WARNING:** To reduce the risk of serious personal injury, turn unit off and disconnect it from power source before making any adjustments or removing/installing attachments or accessories. An accidental start-up can cause injury.

Your DEWALT power tool has been designed to operate over a long period of time with a minimum of maintenance. Continuous satisfactory operation depends upon proper tool care and regular cleaning.

### Cleaning

**⚠ WARNING:** Blow dirt and dust out of all air vents with clean, dry air at least once a week. To minimize the risk of eye injury, always wear approved eye protection when performing this procedure.

**⚠ WARNING:** Never use solvents or other harsh chemicals for cleaning the non-metallic parts of the tool. These chemicals may weaken the plastic materials used in these parts. Use a cloth dampened only with water and mild soap. Never let any liquid get inside the tool; never immerse any part of the tool into a liquid.

### Accessories

**⚠ WARNING:** Since accessories, other than those offered by DEWALT, have not been tested with this product, use of such accessories with this tool could be hazardous. To reduce the risk of injury, only DEWALT-recommended accessories should be used with this product.

Recommended accessories for use with your tool are available at extra cost from your local dealer or authorized service center.

### DEWALT ToolConnect™ Tag Ready (Fig. K)

#### Optional Accessory

**⚠ WARNING:** Use only original fasteners. Longer screws increase the risk of electrical shock or damage to the tool.

Your D25966 comes with mounting holes **10** and screws **29** for installing a DEWALT ToolConnect™ Tag **28**. You will need a T15 bit tip to install the tag with the provided screws **29**.

The DEWALT ToolConnect™ Tag is designed for tracking and locating professional power tools, equipment, and machines using the DEWALT Tool Connect™ app.

For proper installation of the DEWALT ToolConnect™ Tag refer to the DEWALT ToolConnect™ manual.

### Dust Extraction System (Fig. L)

The use of a dust extraction system is recommended to reduce potentially harmful airborne dust and to prolong tool and accessory life.

Consult your dealer for further information on suitable dust extraction systems.

## Repairs



**WARNING:** To assure product SAFETY and RELIABILITY, repairs, maintenance and adjustment (including brush inspection and replacement) should be performed by a DEWALT factory service center or a DEWALT-authorized service center. Always use identical replacement parts.

If the supply cord is damaged, it must be replaced by the manufacturer, its service agent or similarly qualified persons in order to avoid a hazard.

### SPECIFICATIONS

#### D25966

Voltage	120V~
Power	18 A
Voltage	220V~
Power	1800 W
Frequency	50–60Hz
Impact Speed	1080 ipm
Impact Energy	41 J



МАГАЗИН  
БАШ МАЙСТОРА®  
ПРОФЕСИОНАЛНИ РЕШЕНИЯ

Solamente para propósito de México:  
Importado por: Black and Decker S.A. de C.V.  
Antonio Dovali Jaime  
#70 Torre C Piso 8  
Col. Santa Fé, Alvaro Obregón  
Ciudad de México, México. C.P 01210  
Tel: 55 53267100  
R.F.C.BDE8106261W7

Solamente para propósito de Colombia:  
Importado por: Black & Decker de Colombia S.A.S.  
NIT: 860.070.698-1  
Av. Cra 72 # 80-94, Oficina 902.  
Torre Empresarial Titan Plaza.  
Bogota, Colombia (111021)  
Tel.: (571) 508 9100

Importado por: Black & Decker del Perú S.A.  
Av. Circunvalación del Club Golf Los Incas  
N° 152 - 154, Lote 4, Oficina 601  
Urb. Club Golf Los Incas - Santiago de Surco Lima – Perú  
Tel.: (511) 614-4242 RUC 20266596805

Solamente para propósito de Chile:  
Importado por: Black & Decker de Chile, S.A.  
Ave. Andrés Bello 2457, Oficina 1604 Providencia -  
Santiago de Chile  
Tel.: (56-2) 2687 1700

Solamente para propósito de Argentina:  
Importa y Distribuye:  
Black & Decker Argentina S.A.  
Pacheco Trade Center  
Colectora de Ruta Panamericana  
Km. 32.0 El Talar de Pacheco Partido de Tigre  
Buenos Aires (B1618 FBQ) República de Argentina  
CUIT: 33-65861596-9  
Tel.: (011) 4726-4400

Fabricado por: Black & Decker do Brasil Ltda.  
Rod. BR 050 - KM 167, Lo 05, Parte Q1 –  
Distr. Indl. II - Uberaba - MG - 38064-750  
CNPJ: 53.296.273/0001-91 –  
IE: 701.948711.00-98

Fabricado por: Black & Decker do Brasil Ltda.  
Rod. BR 050 - Km 167, Lo 05, Bl. B –  
Distr. Indl. II - Uberaba - MG - 38064-750  
CNPJ: 53.296.273/0032-98 –  
IE 701.948711.03-30  
S.A.C.: 0800.703.4644

Hecho en China  
Fabricado na China  
Made in China



DeWALT Industrial Tool Co., 701 East Joppa Road, Towson, MD 21286  
Copyright © 2023

The following are trademarks for one or more DeWALT power tools: the yellow and black color scheme, the “D” shaped air intake grill, the array of pyramids on the handgrip, the kit box configuration, and the array of lozenge-shaped humps on the surface of the tool.