

Einhell

GC-HM 300
GC-HM 400

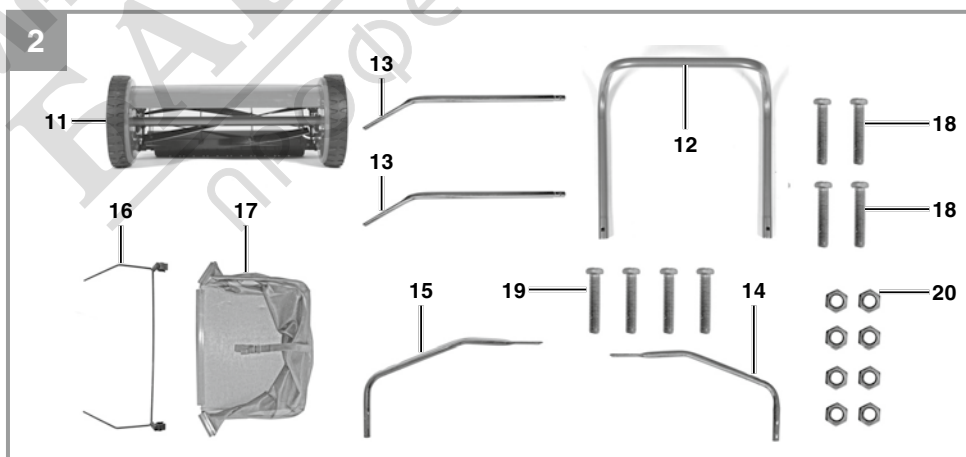
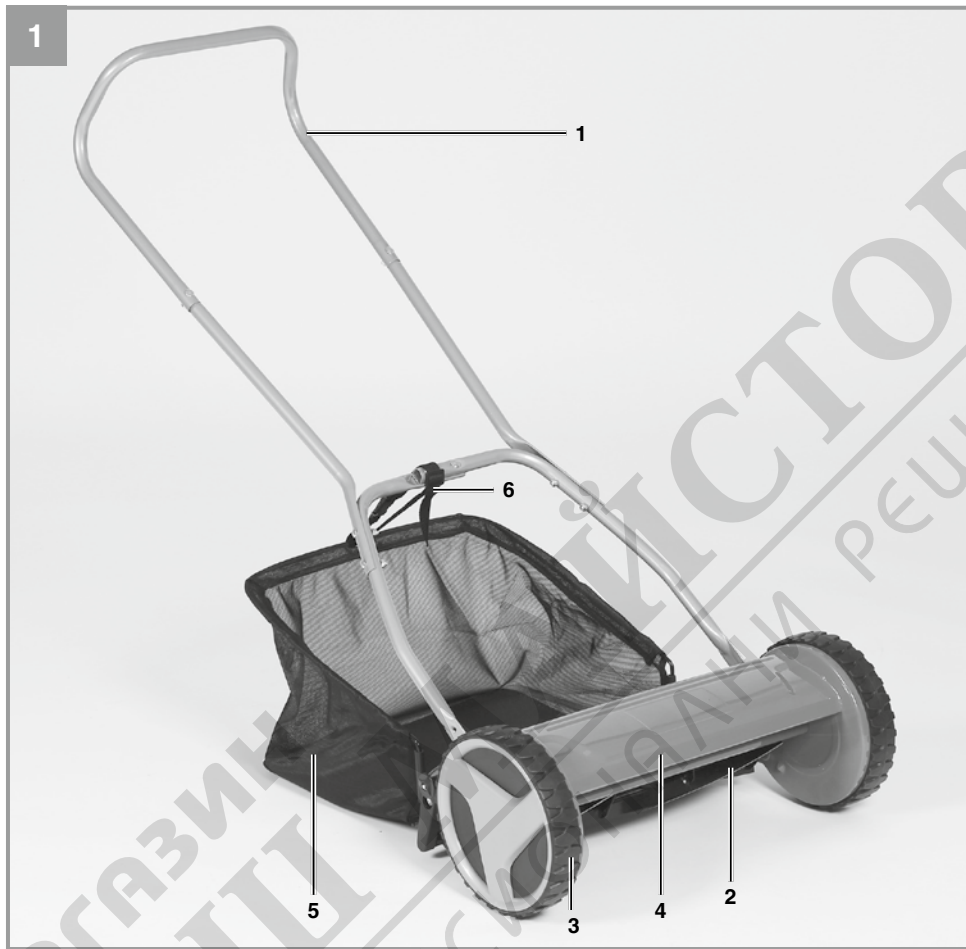
- D Originalbetriebsanleitung
Hand-Rasenmäher
- GB Original operating instructions
Manual lawn mower
- F Instructions d'origine
Tondeuse a gazon manuelle
- I Istruzioni per l'uso originali
Tosaerba manuale
- DK/ Original betjeningsvejledning
N Håndskubbet græsslåmaskine
- S Original-bruksanvisning
Handgräsklippare
- NL Originele handleiding
Handmaaier
- E Manual de instrucciones original
Cortacésped manual
- FIN Alkuperäiskäyttöohje
Käsikäyttöinen ruohonleikkuri

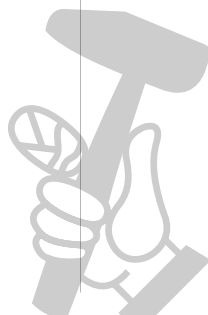
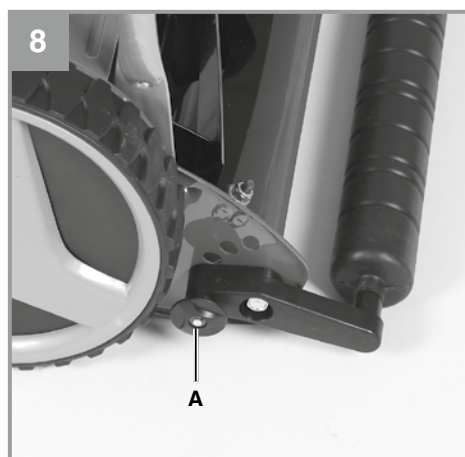
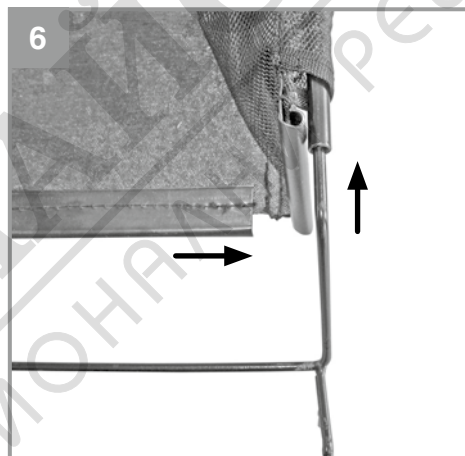
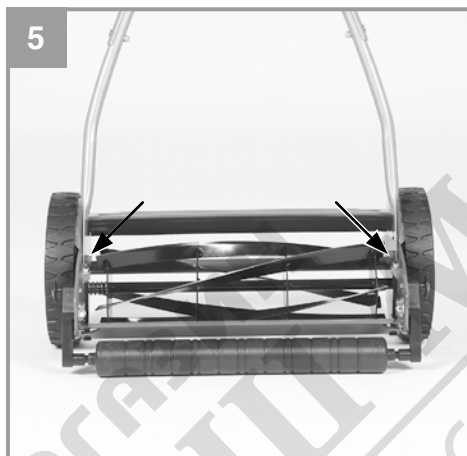
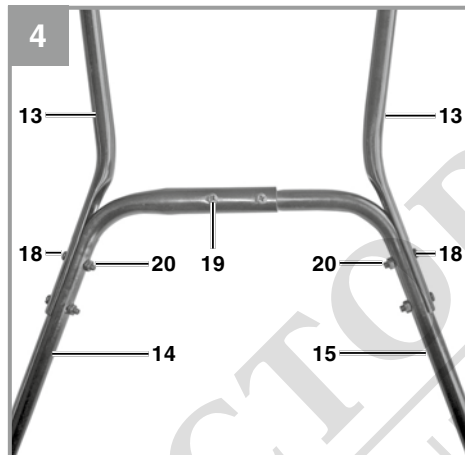
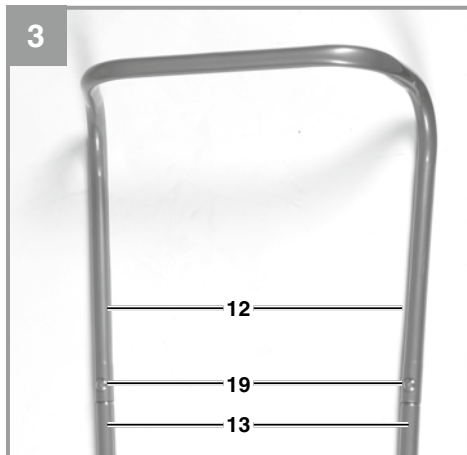
9



Art.-Nr.: 34.141.14
Art.-Nr.: 34.141.29

I.-Nr.: 21010
I.-Nr.: 21010





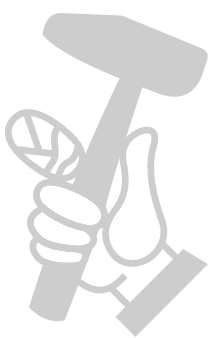
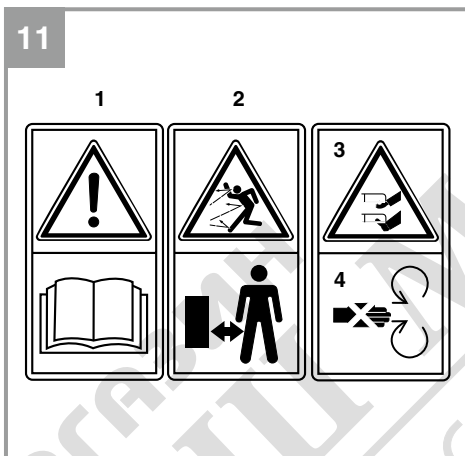
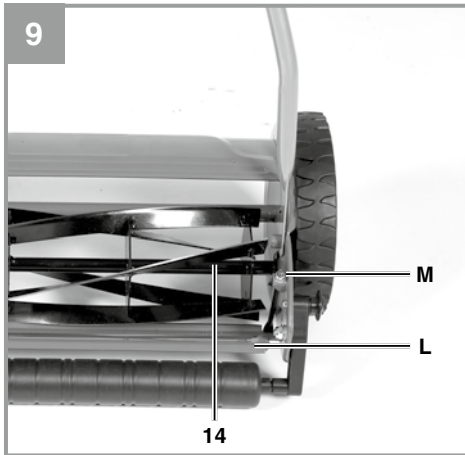


Table of contents

1. Safety regulations
2. Layout and items supplied
3. Proper use
4. Technical data
5. Before starting the equipment
6. Operation
7. Cleaning, maintenance and ordering of spare parts
8. Disposal and recycling
9. Storage and transport
10. Troubleshooting



Danger! - Read the operating instructions to reduce the risk of injury



This equipment is not allowed to be used by children. Children should be supervised so that they do not play with the equipment. Children are not allowed to carry out the cleaning or maintenance. This equipment is not allowed to be used by people with limited physical, sensory or mental capacities or by those with insufficient knowledge or experience unless they are supervised or instructed by a person who is responsible for them.

Danger!

When using the equipment, a few safety precautions must be observed to avoid injuries and damage. Please read the complete operating instructions and safety regulations with due care. Keep this manual in a safe place, so that the information is available at all times. If you give the equipment to any other person, hand over these operating instructions and safety regulations as well. We cannot accept any liability for damage or accidents which arise due to a failure to follow these instructions and the safety instructions.

1. Safety regulations

The corresponding safety information can be found in the enclosed booklet.

Danger!**Read all safety regulations and instructions.**

Any errors made in following the safety regulations and instructions may result in an electric shock, fire and/or serious injury.

Keep all safety regulations and instructions in a safe place for future use.**Explanation of the warning signs on the equipment (see Fig. 11)**

1. „Warning - Read the operating instructions to reduce the risk of injury“
2. Important! Keep other persons and animals away from the danger zone!
3. Caution! - Sharp blades
4. Take care when the blades are rotating. Do not put your hands or feet into openings when the machine is running.

2. Layout and items supplied**2.1 Layout (Fig. 1)**

1. Push bar
2. Mowing spindle
3. Wheel
4. Housing
5. Grass basket
6. Holding belt

2.2 Items supplied (fig. 2)

11. Hand mower (ready-assembled)
12. Push bar top section
13. Push bar extension (2-piece)
14. Push bar bottom section A
15. Push bar bottom section B

16. Bar frame
 17. Grass box with holding belt
 18. Screw M6 x 30 (4x)
 19. Screw M6 x 25 (4x)
 20. Hex nut M6
- Original operating instructions
Safety instructions

Please check that the article is complete as specified in the scope of delivery. If parts are missing, please contact our service center or the sales outlet where you made your purchase at the latest within 5 working days after purchasing the product and upon presentation of a valid bill of purchase. Also, refer to the warranty table in the service information at the end of the operating instructions.

- Open the packaging and take out the equipment with care.
- Remove the packaging material and any packaging and/or transportation braces (if available).
- Check to see if all items are supplied.
- Inspect the equipment and accessories for transport damage.
- If possible, please keep the packaging until the end of the guarantee period.

Danger!

The equipment and packaging material are not toys. Do not let children play with plastic bags, foils or small parts. There is a danger of swallowing or suffocating!

3. Proper use

The hand mower is designed for cutting grass.

It is intended for private use, i.e. for use in home and gardening environments. Private use here refers to the maintenance of small-scale, residential areas and does not include public facilities, sporting halls, or agricultural/forestry applications.

Important! Due to the high risk of bodily injury to the user, the hand mower may not be used to cut scaling vegetation, planted roofs or balcony-grown grass.

The equipment is to be used only for its prescribed purpose. Any other use is deemed to be a case of misuse. The user / operator and not the manufacturer will be liable for any damage or injury.

ries of any kind caused as a result of this.

Please note that our equipment has not been designed for use in commercial, trade or industrial applications. Our warranty will be voided if the machine is used in commercial, trade or industrial businesses or for equivalent purposes.

4. Technical data

GC-HM 300

Working width:30 cm
Cutting height: 13-37 mm
Weight:6,5 kg

GC-HM 400

Working width:40 cm
Cutting height: 13-37 mm
Weight:7,2 kg

5. Before starting the equipment

Warning! Wear safety gloves whenever you carry out any assembly or maintenance work.

5.1 Mower assembly

Fig. 3: Screw the push bar top section (12) to the two push bar extensions (13). Use the two screws M6x25 (19) and two hexagonal nuts M6 (20) for this purpose.

Fig. 4: Screw push bar bottom section A (14), push bar bottom section B (15) and the two push bar extensions (13) together. Use four screws size M6 x 30 (18), two screws size M6 x 25 (19) and hexagonal nuts size M6 (20).

Fig. 5: First attach one push bar bottom section to the mower, then press the push bar together slightly and attach the other side.

5.2 Grass box assembly (Fig. 6 / 7)

- Push the bar frame into the grass box tube.
- Snap the side fastening lugs on the grass box over the bar frame.
- Snap the bottom fastening lug on the grass box over the bar frame.

5.3. Attaching the grass box

Attach the assembled grass box to the roller. The grass box must also be secured to the push bar using the belt supplied (see Fig. 1).

6. Operation

6.1. Adjusting the cutting height (Fig. 8)

Four different cutting heights can be set between a range of 13-37 mm. To do so, pull the spring-loaded bolts (A) on both sides of out and then engage them in the required holes.

6.2 Operation

It is recommended that you overlap the mowing swaths.

Only use a sharp blade that is in good condition. This will prevent the grass blades from fraying and the lawn from turning yellow.

Try to mow in straight lines for a nice, clean look. The swaths should overlap each other by a few centimeters in order to avoid stripes.

For a well-groomed look, we recommend a grass height of 3 - 4 cm after mowing for normal home lawns and 1.5 – 2.5 cm for ornamental lawns. The use of a cylinder lawn mower can help achieve improved cutting results specifically on ornamental lawns. Mow your lawn 1 – 2 times a week. We recommend that normal home lawns should be mowed when the grass is 6 – 7 cm high, ornamental lawns when the grass is 3 - 4 cm high. Irrespective of the recommended cutting height, the lawn should only be reduced by one third of the current height each time it is mowed. Before the onset of the first frost, the lawn should be reduced to its recommended height. Only ever mow the lawn when it is as dry as possible in order to achieve perfect cutting results. To ensure that it can be cut cleanly, the grass should never be over 10 cm high. The mower has a freewheeling facility for when it is pulled back.

Always mow along inclines (not up and down).

You can prevent the lawn mower from slipping down by holding a position at an angle upwards. Select the cutting height according to the length of the grass. Make several passes so that no more than 4cm of grass are cut at one time.

Switch off the motor before doing any checks on the blade. Keep in mind that the blade continues to rotate for a few seconds after the motor has

been switched off. Never attempt to manually stop the blade. Regularly check to see if the blade is securely attached, is in good condition and is sharp. If the contrary is the case, sharpen the blade or replace it. In the event that the blade strikes an object, immediately switch off the lawn mower and wait for the blade to come to a complete stop. Then inspect the condition of the blade and the blade mount. Replace any parts that are damaged.

Do not use your hands or feet to remove clippings in or on the mower housing, but instead use suitable tools such as a brush or a hand broom.

7. Cleaning, maintenance and ordering of spare parts

7.1 Cleaning

- Clean the machine with a brush or rag after each use.
- Store the equipment in a location that is dry and not accessible by children. For storage in less space you can remove the grass basket and move the push bar into a vertically upright position (Fig. 10).
- Keeping your lawn mower in good condition not only ensures a long lifespan and high performance, but also enables the equipment to thoroughly cut your grass with minimal effort.

7.2 Maintenance

- Ensure that all mounting components (i.e. screws, bolts, nuts etc.) are always tightened so that the mower can be safely operated at all times.
- Replace excessively worn or damaged parts immediately.
- In order to ensure that you enjoy the equipment for many years to come, all screwed parts, as well as the wheels and axles, should be cleaned and lubricated.
- The blade on the mower spindle is subject to more wear and tear than any other component of the unit. Check the condition of the blade on the mowing spindle at regular intervals and make sure that it is tightly fastened.
- If the blades on the mower spindle become blunt and need replacing, please contact our customer service. Use only genuine spare parts.

7.2.1 Setting the counter blade (Fig. 9)

Warning! Wear safety gloves.

Note:

The counter blade (L) is pre-set at the factory. Re-adjustment might be required after prolonged use. Only adjust it if:

- The cutting results appear rough and uneven and some blades of grass are not cut (the distance between the counter blade and mower spindle is too large)
- The equipment is heavy or even impossible to push
- The mower spindle makes loud noises or does not rotate because it rubs or catches against the counter blade

Adjusting:

- Turn the adjusting nut (M) (size 10) clockwise = this reduces the distance between the counter blade and mower spindle
 - Turn the adjusting nut (M) (size 10) counterclockwise = this increases the distance between the counter blade and mower spindle
1. Slacken both adjusting nuts (M) (size 10) by turning them counterclockwise.
 2. Turn one wheel forwards, which makes the mower spindle turn. At the same time, tighten one of the two adjusting nuts (M) (size 10) enough so that the mower spindle touches the counter blade without making hardly a sound.
 3. Turn the adjusting nut (M) (size 10) back again so that the mower spindle can only just rotate freely.
 4. Repeat points 2 and 3 with the second adjusting nut (M) (size 10).

Important!

The adjusting nuts (M) (size 10) on both sides of the mower must be adjusted evenly such that the mower spindle (2) can only just rotate freely. The counter blade (L) is correctly adjusted if a piece of paper placed between the blades on the mower spindle (2) and the counter blade will be cut along its full length when you turn one of the wheels forwards by hand without force.

At the end of the season, perform a general inspection of the lawn mower and remove any grass and dirt which may have accumulated. At the start of each season, ensure that you check the condition of the blade. If repairs are necessary, please contact our customer service center. Use only genuine spare parts.

7.3 Ordering replacement parts:

Please quote the following data when ordering replacement parts:

- Type of machine
- Article number of the machine
- Identification number of the machine
- Replacement part number of the part required

For our latest prices and information please go to www.isc-gmbh.info

8. Disposal and recycling

The equipment is supplied in packaging to prevent it from being damaged in transit. The raw materials in this packaging can be reused or recycled. The equipment and its accessories are made of various types of material, such as metal and plastic. Never place defective equipment in

your household refuse. The equipment should be taken to a suitable collection center for proper disposal. If you do not know the whereabouts of such a collection point, you should ask in your local council offices.

9. Storage and transport

Storage

Store the equipment and accessories out of children's reach in a dark and dry place at above freezing temperature. The ideal storage temperature is between 5 and 30 °C. Store the machine in its original packaging.

Transport

- Always carry the mower by its handle and never reach into the cutting mechanism.
- Fit the shipping protectors, if any.
- Protect the machine from damage and the strong vibrations that can occur particularly when transporting in vehicles.
- Secure the machine against slipping and tipping over.

10. Troubleshooting

If the equipment is operated properly you should experience no problems with malfunctions or faults. In the event of any malfunctions or faults, please check the following before you contact your customer services.

Problem	Possible cause	Remedy
Unusual noises	<ul style="list-style-type: none"> - Loose screws/parts? - Foreign bodies in the blade? - Damaged blade? - Wrongly adjusted bladed? 	<ul style="list-style-type: none"> - Tighten the screws - Remove the foreign bodies - Have the blade replaced - Set the counter blade (see 7.2.1)
Unsatisfactory cutting results	<ul style="list-style-type: none"> - Wrongly adjusted bladed? - Blunt blade? 	<ul style="list-style-type: none"> - Set the counter blade (see 7.2.1) - Have the blade sharpened or replaced

The reprinting or reproduction by any other means, in whole or in part, of documentation and papers accompanying products is permitted only with the express consent of the iSC GmbH.

Subject to technical changes

Service information

We have competent service partners in all countries named on the guarantee certificate whose contact details can also be found on the guarantee certificate. These partners will help you with all service requests such as repairs, spare and wearing part orders or the purchase of consumables.

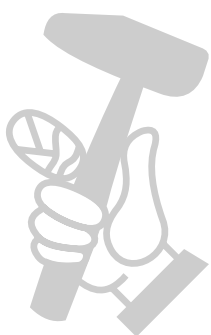
Please note that the following parts of this product are subject to normal or natural wear and that the following parts are therefore also required for use as consumables.

Category	Example
Wear parts*	Mowing spindle
Consumables*	
Missing parts	

* Not necessarily included in the scope of delivery!

In the effect of defects or faults, please register the problem on the internet at www.isc-gmbh.info. Please ensure that you provide a precise description of the problem and answer the following questions in all cases:

- Did the equipment work at all or was it defective from the beginning?
- Did you notice anything (symptom or defect) prior to the failure?
- What malfunction does the equipment have in your opinion (main symptom)? Describe this malfunction.



Warranty certificate

Dear Customer,

All of our products undergo strict quality checks to ensure that they reach you in perfect condition. In the unlikely event that your device develops a fault, please contact our service department at the address shown on this guarantee card. You can also contact us by telephone using the service number shown. Please note the following terms under which guarantee claims can be made:

1. These guarantee terms apply to consumers only, i.e. natural persons intending to use this product neither for their commercial activities nor for any other self-employed activities. These warranty terms regulate additional warranty services, which the manufacturer mentioned below promises to buyers of its new products in addition to their statutory rights of guarantee. Your statutory guarantee claims are not affected by this guarantee. Our guarantee is free of charge to you.
2. The warranty services cover only defects due to material or manufacturing faults on a product which you have bought from the manufacturer mentioned below and are limited to either the rectification of said defects on the product or the replacement of the product, whichever we prefer. Please note that our devices are not designed for use in commercial, trade or professional applications. A guarantee contract will not be created if the device has been used by commercial, trade or industrial business or has been exposed to similar stresses during the guarantee period.
3. The following are not covered by our guarantee:
 - Damage to the device caused by a failure to follow the assembly instructions or due to incorrect installation, a failure to follow the operating instructions (for example connecting it to an incorrect mains voltage or current type) or a failure to follow the maintenance and safety instructions or by exposing the device to abnormal environmental conditions or by lack of care and maintenance.
 - Damage to the device caused by abuse or incorrect use (for example overloading the device or the use of unapproved tools or accessories), ingress of foreign bodies into the device (such as sand, stones or dust, transport damage), the use of force or damage caused by external forces (for example by dropping it).
 - Damage to the device or parts of the device caused by normal or natural wear or tear or by normal use of the device.
4. The guarantee is valid for a period of 24 months starting from the purchase date of the device. Guarantee claims should be submitted before the end of the guarantee period within two weeks of the defect being noticed. No guarantee claims will be accepted after the end of the guarantee period. The original guarantee period remains applicable to the device even if repairs are carried out or parts are replaced. In such cases, the work performed or parts fitted will not result in an extension of the guarantee period, and no new guarantee will become active for the work performed or parts fitted. This also applies if an on-site service is used.
5. To make a claim under the guarantee, please register the defective device at: www.isc-gmbh.info. Please keep your bill of purchase or other proof of purchase for the new device. Devices that are returned without proof of purchase or without a rating plate shall not be covered by the guarantee, because appropriate identification will not be possible. If the defect is covered by our guarantee, then the item in question will either be repaired immediately and returned to you or we will send you a new replacement.

Of course, we are also happy offer a chargeable repair service for any defects which are not covered by the scope of this guarantee or for units which are no longer covered. To take advantage of this service, please send the device to our service address.

Also refer to the restrictions of this warranty concerning wear parts, consumables and missing parts as set out in the service information in these operating instructions.