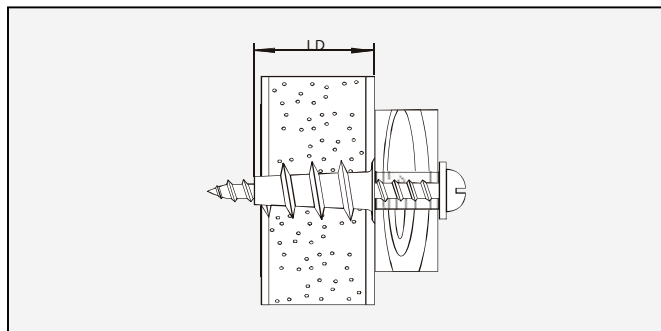


Plasterboard Plug, plastic - GKD



Technical Data

KEW GKD - plasterboard plug

| type | ref.-no. | LD plug length [mm] | ØS Ø wood screw [mm] | ØS Ø chip-board screw [mm] | ØS Ø tap screw [mm] | qty. per box pcs. | outer carton pcs. |
|------|----------|---------------------|----------------------|----------------------------|---------------------|-------------------|-------------------|
| GKD | 31075 | 24 | 4,0 - 5,5 | 4,0 - 6,0 | 4,2 - 5,5 | 200 | 3200 |



KEW SW - setting tool

| | | | | | | | |
|----|-------|--|--|--|--|----|----|
| SW | 31076 | | | | | 10 | 50 |
|----|-------|--|--|--|--|----|----|



KEW GKD SW - plasterboard plug with setting tool

| | | | | | | | |
|--------|-------|----|-----------|-----------|-----------|-------|---------|
| GKD SW | 31077 | 24 | 4,0 - 5,5 | 4,0 - 6,0 | 4,2 - 5,5 | 200+1 | 3200+16 |
| GKD SW | 32680 | 24 | 4,0 - 5,5 | 4,0 - 6,0 | 4,2 - 5,5 | 50+1 | 2700+54 |



KEW GKD SWS - plasterboard plug with setting tool and chipboard screw

| | | | | | | | |
|---------|-------|----|--|------------|--|------|---------|
| GKD SWS | 32681 | 24 | | 4,0 x 40,0 | | 50+1 | 1800+36 |
|---------|-------|----|--|------------|--|------|---------|

Pullout loads in kN*

| | gypsum plasterboard 9,5 mm | gypsum plasterboard 12,5 mm | gypsum plasterboard 2 x 12,5 mm |
|-----|----------------------------|-----------------------------|---------------------------------|
| GKD | 0,46 | 0,57 | 0,75 |

* the loads stated are failure loads valid for general fixings and confirmed strength of the base material indicated. An adequate safety factor should be applied

Suitability

Base materials:
plasterboard, limited suitability for gypsum plates and aircrete

For fixing of:

picture frames, lamps, skirting boards, key boxes, spice shelves

Characteristics

- time saving fixing system consisting of plug and setting tool
- self undercutting system ensures optimal anchorage
- non conductive plastic material for electrical applications
- reusable setting tool

Advice

Board thicknesses exceeding 15 mm and aircrete require pre-drilling with the setting tool.

The GKD is not suited for gypsum fibreboards and tiled plasterboards.

Installation

