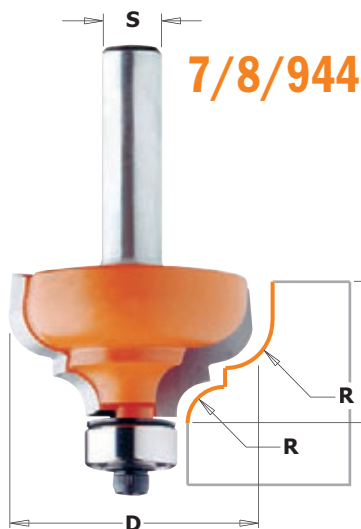


Classical ogee bits

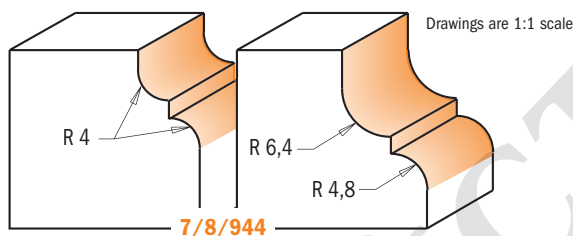


7/8/944



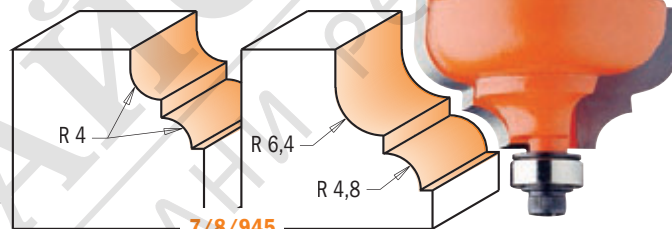
CMT's classical ogee bits feature an inverted ogee profile, with the concave edge adjacent to the upper surface of the workpiece. A vertical bead was added to separate the curves and creates an eye-catching shape.

SHOP TIPS: for best results, multiple passes are recommended.



7/8/944

7/8/945



7/8/945

This profile includes a horizontal bead along the bottom of the profile adding a decorative detail to the traditional ogee design.

SHOP TIPS: for best results, multiple passes are recommended.

R mm	D mm	I mm	ORDER NO. S=Ø6mm	ORDER NO. S=Ø6,35mm	ORDER NO. S=Ø8mm	ORDER NO. S=Ø12mm	ORDER NO. S=Ø12,7mm	Spare parts							
4	28,7	13	744.287.11	844.287.11	944.287.11	944.787.11	844.787.11					990.423.00	791.003.00	990.058.00	991.057.00
6,4-4,8	35	18,5	744.350.11	844.350.11	944.350.11	944.850.11	844.850.11	990.423.00	791.003.00	990.058.00	991.057.00	990.423.00	791.003.00	990.058.00	991.057.00
4	28,7	13	745.287.11	845.287.11	945.287.11	945.787.11	845.787.11	990.422.00	791.002.00	990.058.00	991.057.00	990.422.00	791.002.00	990.058.00	991.057.00
6,4-4,8	35	18,5	745.350.11	845.350.11	945.350.11	945.850.11	845.850.11	990.422.00	791.002.00	990.058.00	991.057.00	990.422.00	791.002.00	990.058.00	991.057.00

www.cmtutensili.com

